

# GARMIN®

## FORCE® KRAKEN

### Trolling Motor

---

## Installation Instructions

### Getting Started

#### WARNING

See the *Important Safety and Product Information* guide in the product box for product warnings and other important information.

Failure to install this device according to these instructions could result in personal injury, damage to the vessel or device, or poor product performance.

Do not run the motor when the propeller is out of the water. Contact with the rotating propeller may result in severe injury.

Do not use the motor in areas where you or other people in the water may come into contact with the rotating propeller, which could result in severe injury.

Always disconnect the motor from the battery before handling or working with the propeller, propeller drive motor, electrical connections, or electronics enclosures to avoid serious injury or death.

#### CAUTION

For the best possible performance and to avoid potential injury, damage to the device, or damage to your vessel, installation by a qualified marine installer is recommended.

To avoid possible personal injury, always wear safety goggles, ear protection, and a dust mask when drilling, cutting, or sanding.

When stowing or deploying the motor, be aware of the risk of entrapment or pinching from moving parts, which can result in personal injury.

When stowing or deploying the motor, maintain stable footing and be aware of slick surfaces around the motor. Losing your footing while stowing or deploying the motor may result in injury.

#### NOTICE

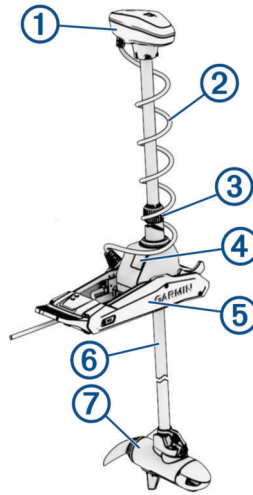
When drilling or cutting, always check what is on the opposite side of the surface to avoid damaging the vessel.

### Tools and Supplies Needed

- Drill and a  $1\frac{1}{32}$  in. (9 mm) drill bit
- #2 Phillips screwdriver
- 4 mm hex bit or wrench
- $\frac{1}{2}$  in. (13 mm) socket
- Torque wrench
- Circuit breaker rated for continuous 60 A
- Trolling motor plug and receptacle rated for 60 A or greater (optional)
- 6, 4, or 2 AWG (16, 25, or 35 mm<sup>2</sup>) wire for extended runs of the power cable
- Solder and heat-shrink tubing, if extending the power cable
- Stainless steel pan head  $\frac{5}{16}$ -20 (M8x1) bolts (if the included bolts are not long enough to mount the motor to the deck)

# Installation Preparation

## Device Overview



①	Shaft cap
②	Power and transducer cables
③	Depth-adjustment collar
④	Steering system
⑤	Mount
⑥	Shaft
⑦	Propeller drive motor

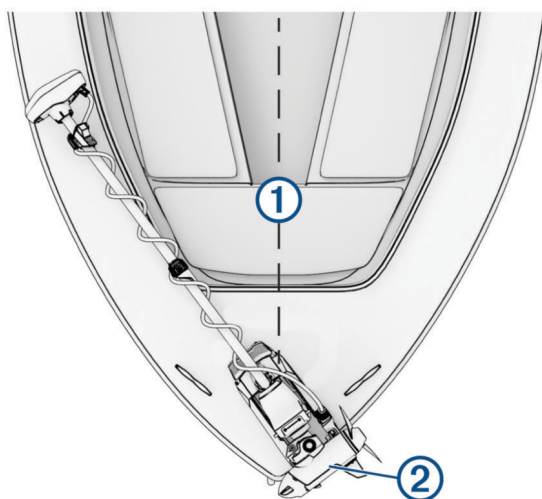
## Mounting Considerations

### ⚠ CAUTION

You must install the motor in a location where no large metallic objects, such as a tool box, are near the display panel when it is deployed. Large metallic objects can interfere with the magnetic compass, affecting the built-in autopilot performance and potentially leading to personal injury or property damage.

When selecting a mounting location, observe these considerations.

- You must install the motor on the bow of your boat.
- You should install the mount so the deployed motor is as close to the centerline of the boat ① as possible.



- You must install the mount with the top of the cutout ② overhanging the gunwale of the boat. The U shape should extend over the side of the boat.  
If there is not enough room on the gunwale to install all six bolts, a minimum of four bolts must be used.
- The motor secures to the deck of the boat using bolts, so you must have room to secure the mount from the underside using washers and nuts.
- The motor must have clearance to move from the deployed to the stowed position and back again, so the installation location must be clear of obstacles.
- Verify that the deck is strong enough for the weight and force of the trolling motor. Use a backing plate or reinforce the boat if needed.

## Connection Considerations

When making the wiring connections, observe the following considerations.

- You must connect the trolling motor to a 24 or 36 Vdc battery bank capable of supplying 60 A continuously.
- You must connect to the power source through a circuit breaker rated for continuous 60 A (not included).
- If necessary, you can extend the power cable using the appropriate wire gauge based on the length of the extension ([Power Cable Extensions, page 7](#)).
- For convenience, you can install a trolling motor plug and receptacle rated for 60 A or greater (not included) in the bulkhead to make it easier to disconnect the motor from the power source.

## Installation Procedures

### NOTICE

When assembling the motor, you must use hand tools to install all of the parts, observing the torque specifications when provided. Using power tools to assemble the motor may damage the components, and voids the warranty.

## Installing the Motor on the Deck

### NOTICE

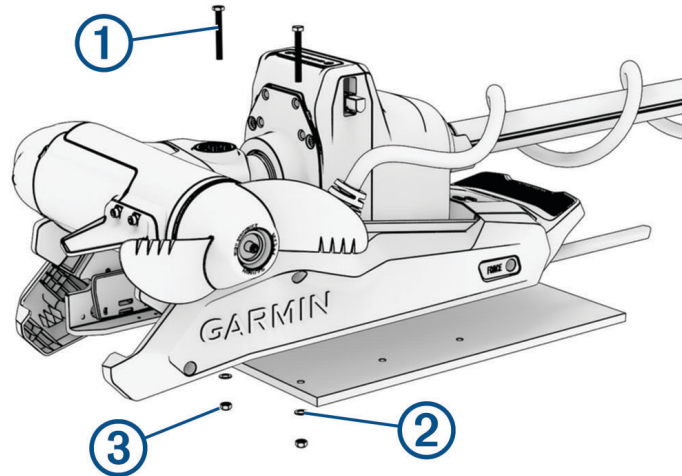
When securing the mount to the deck, you must use pan-head or rounded-head screws, and you must install them from above the deck and secure them with washers and nuts below the deck. If the screws are installed from under the mounting surface pointing upward, the ends of the screws may come into contact with the motor when stowing or deploying. If the motor comes into contact with the mounting screws during operation, it may damage the motor and lead to corrosion of the housing.

**NOTE:** If the supplied screws are not long enough for the mounting surface, you must obtain stainless steel pan-head or rounded-head  $\frac{5}{16}$ -20 (M8x1) screws of the appropriate length.

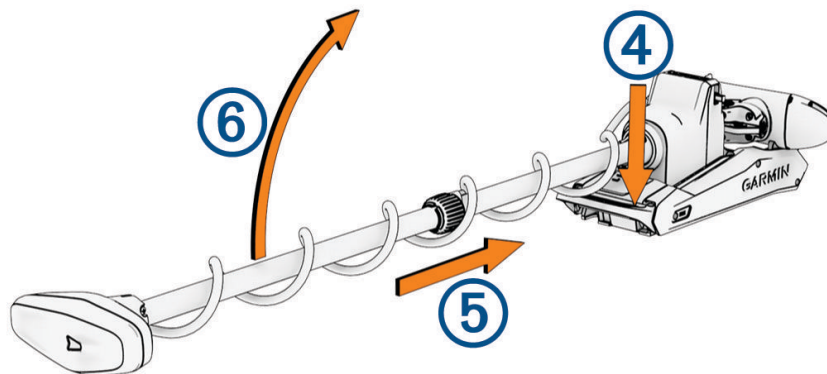
- 1 Select a mounting location on the bow of your boat, according to the mounting considerations.
- 2 Place the included mounting template on the mounting location with the mount on the template overhanging the gunwale or the edge of the boat deck.
- 3 Mark the mounting hole locations on the boat deck.

**NOTE:** There are two mounting hole options on the port side of the bow end of the mount. You can choose which mounting hole to use depending on the installation angle and the shape of the hull.

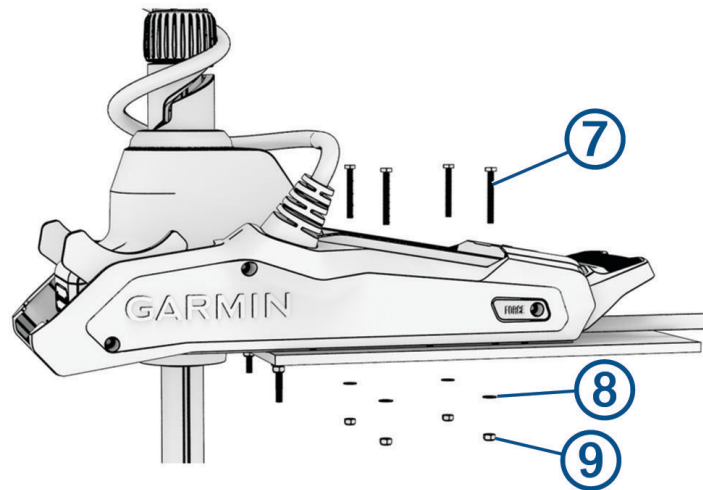
- 4 Using an  $1\frac{1}{32}$  in. (9 mm) drill bit, drill the mounting holes.
- 5 Place the motor on the boat deck, aligning the holes on the mount with the mounting holes.
- 6 Insert the included screws ① from above deck and install washers ② and locking nuts ③ from below deck, starting with the two holes closest to the edge of the bow.



- 7 Adjust the depth stop so the motor can deploy without hitting the ground.
- 8 Press the release ④, slide the propeller drive motor head out ⑤, and gently pivot the trolling motor into the deployed position ⑥.



- 9 Insert the remaining screws ⑦, and secure them below the deck using washers ⑧, and locking nuts ⑨.

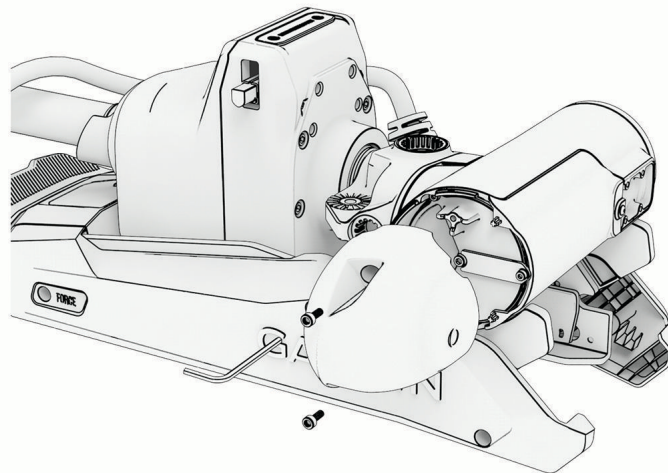


10 Tighten the nuts to a torque of 14.9 N-m (11 lbf-ft.).

### Installing the Nose Cone

**NOTE:** Some Force® Kraken trolling motor models are packaged fully assembled and don't require this procedure.

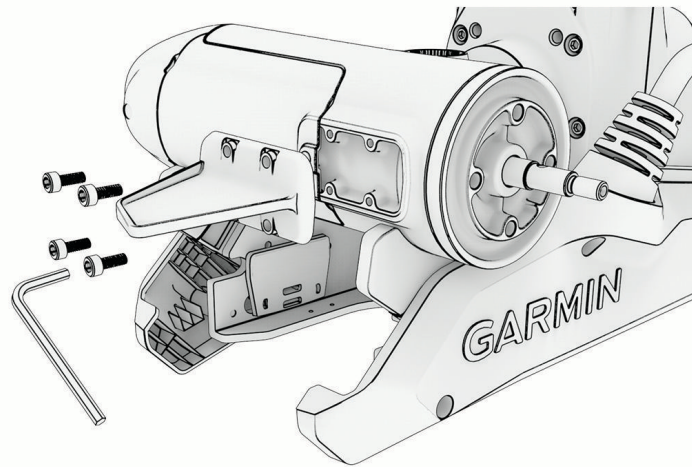
Using a 4 mm hex bit or wrench, secure the nose cone to the front of the propeller drive motor using the two included screws, ensuring the tab is on the bottom.



### Installing the Skeg

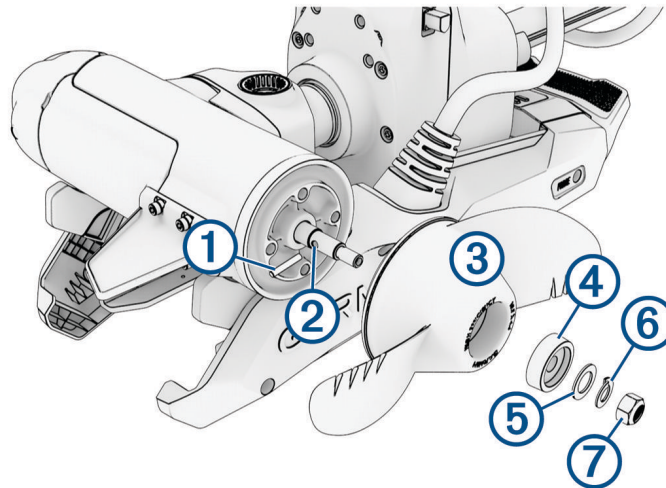
**NOTE:** Some Force® Kraken trolling motor models are packaged fully assembled and don't require this procedure.

Using a 4 mm hex bit or wrench, secure the skeg to the propeller drive motor using the four included screws, ensuring the longer end of the skeg faces the propeller side.



## Installing the Propeller

- 1 Insert the pin (1) through the propeller motor shaft (2).



- 2 If necessary, rotate the motor shaft to orient the pin horizontally so it is less likely to fall out during installation.
- 3 Align the channel on the inside of the propeller (3) with the pin, and slide the propeller onto the motor shaft.
- 4 Place the anode (4), washer (5), lock washer (6), and nut (7) onto the end of the motor shaft.
- 5 Using a  $\frac{9}{16}$  in. (14 mm) socket, tighten the lock nut to 16.27 N-m (12 lbf-ft) to secure the propeller.

## Connecting to Power

### WARNING

To avoid possible serious personal injury or property damage, the circuit breaker must be in the off position before you connect the trolling motor power cable to it.

- 1 Route the power cable to the breaker panel or the location where you plan to install the breaker.
- 2 If necessary, extend the power cable using the appropriate wire gauge based on the length of the extension ([Power Cable Extensions, page 7](#)) using solder and heat-shrink tubing.
- 3 Install a trolling motor plug and receptacle rated for 60 A or greater where the power cable enters a bulkhead (optional).
- 4 Connect the power cable to a circuit breaker rated for 60 A (continuous).
- 5 If necessary, connect the circuit breaker to a 60 A, 24 or 36 Vdc power source.

## Power Cable Extensions

### ⚠ CAUTION

You must follow these requirements when extending the power cables for this product. Improperly extended power cables will cause excess electrical current, potentially leading to personal injury or property damage.

- You must use single-conductor stranded wire with insulation rated for at least 75°C (167°F) that is not bundled, not sheathed, and not run through conduit.  
**NOTE:** If you are using wire with insulation rated for at least 105°C (221°F), and it is run outside of engine spaces, you can bundle up to three wires inside a sheath or conduit.
- When installing the extension, you must follow all industry standards and best practices.
- You must use the appropriate wire gauge based on the length of the extension.

Extension length	Minimum wire gauge	Optimal wire gauge
0 to 3 m (0 to 10 ft. )	6 AWG (16 mm <sup>2</sup> )	6 AWG (16 mm <sup>2</sup> )
3 to 4.6 m (10 to 20 ft.)	6 AWG (16 mm <sup>2</sup> )	4 AWG (25 mm <sup>2</sup> )
4.6 to 9.1 m (20 to 30 ft.)	6 AWG (16 mm <sup>2</sup> )	2 AWG (35 mm <sup>2</sup> )

## Connecting the Transducer to a Chartplotter

Select Force® Kraken Trolling Motor models include a built-in transducer. If your model does not include a transducer, you must install one before you can connect it to a compatible chartplotter. The built-in 12-pin transducer is compatible with select Garmin® chartplotter models. Go to [garmin.com](http://garmin.com) or contact your Garmin dealer for more information.

- 1 Route the transducer cable to the installed chartplotter. If necessary, connect the included extension cable or a longer extension cable.
- 2 Install the locking collar on the end of the transducer cable.
- 3 Connect the transducer cable to the transducer port on the back of the chartplotter.  
You can refer to the instructions provided with your chartplotter to identify the transducer port.

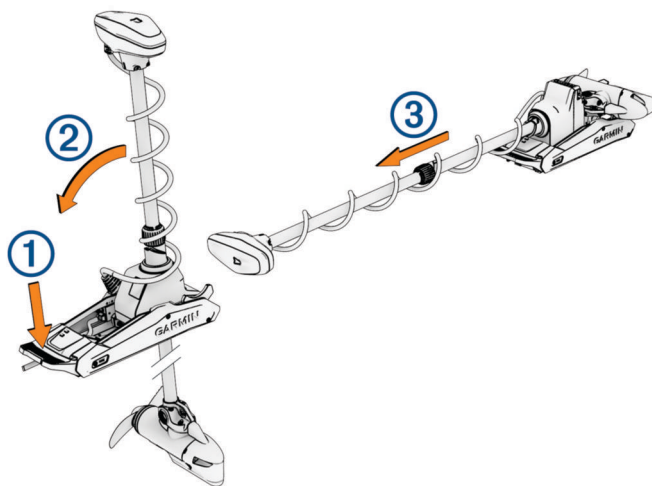
## Stabilizer Installation

The stabilizer is an optional accessory, included with some models, that can provide additional support for the trolling motor when it is in the stowed position.

Installation instructions for the stabilizer are provided in the stabilizer box.

## Stowing the Motor from the Deployed Position

- 1 Hold down the pedal to release the latch ①.



The motor should automatically steer to 90° for stowing. The propeller stow side can be configured in the settings menu.

- 2 Tilt the shaft back ②, and then raise the motor slowly while tilting the shaft to the horizontal position.

- 3 Slide the motor into the motor catch until it locks in the stowed position ③.

**⚠ WARNING**

Push forward along the length of the shaft, and then pull backward along the length of the shaft to ensure that the motor is firmly locked in place. If the motor is not firmly locked in the stowed position, the motor may deploy unexpectedly while in rough waters or trailering, which could result in possible property damage or serious personal injury.

The depth adjustment collar must be moved as close to the base of the motor as possible. Failure to do so could cause unexpected trolling motor deployment, leading to potential property damage or serious personal injury.

- 4 If installed, clamp the motor shaft in the stabilizer.

## Remote Control Installation

The remote control connects to the trolling motor wirelessly and is paired at the factory.

Operation instructions are included in the *Force® Kraken Trolling Motor Quick Start Manual*.

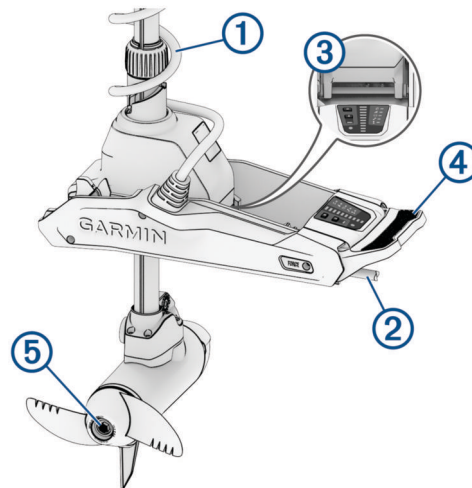
## Maintenance Needs and Schedule

**NOTICE**

After using the motor in salt water or brackish water, you must rinse off the entire motor with fresh water, and apply a water-based silicone spray using a soft cloth. You must avoid spraying jets of water at the shaft cap, to prevent water ingress that could lead to product damage.

To maintain your warranty, you must perform routine maintenance tasks to prepare your motor for the season. If you transport the motor in dry and dusty environments such as gravel or dirt roads, you should repeat these tasks during the season as needed.

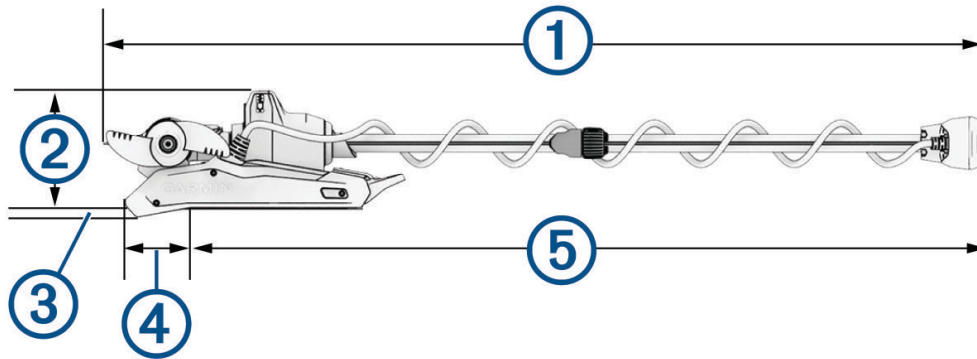
For detailed maintenance instructions, see the *Owner's Manual* on [garmin.com/manuals/kraken\\_trolling\\_motor](http://garmin.com/manuals/kraken_trolling_motor).



- Examine the coil cable ① for wear, and replace it as necessary.
- Check and clean the power cables ②.
- Lubricate the hinge ③ with marine grade grease.
- Clean and lubricate the stow and deploy latch pedal ④ and latch bar.
- Clean or replace the anodes ⑤ in the propeller drive motor.
- Remove entangled fishing line and other obstructions from the propeller.

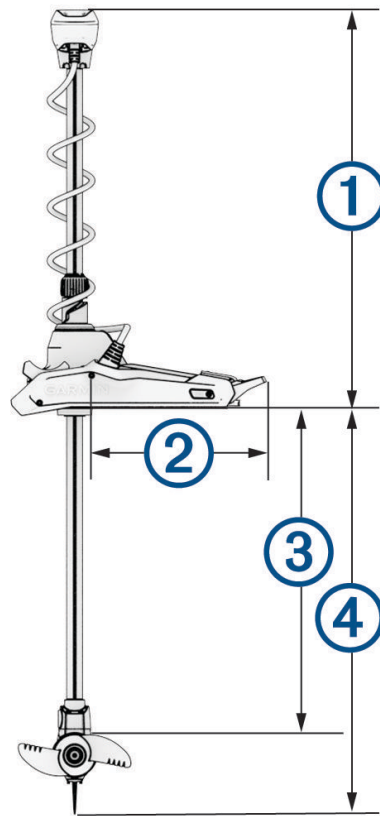
# Motor Information

## Stowed Dimensions



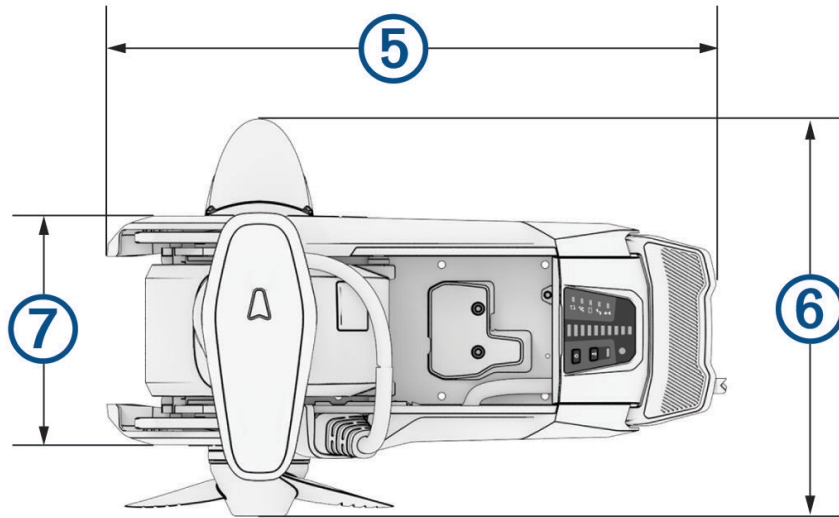
Item	48 in. Model	63 in. Model	75 in. Model	90 in. Model	110 in. Model
①	156 cm (61 <sup>7</sup> / <sub>16</sub> in.)	194.1 cm (76 <sup>7</sup> / <sub>16</sub> in.)	224.8 cm (88 <sup>1</sup> / <sub>2</sub> in.)	262.68 cm (103 <sup>3</sup> / <sub>8</sub> in.)	313.48 cm (123 <sup>3</sup> / <sub>8</sub> in.)
②	26.2 cm (10 <sup>5</sup> / <sub>16</sub> in.)	26.2 cm (10 <sup>5</sup> / <sub>16</sub> in.)	26.2 cm (10 <sup>5</sup> / <sub>16</sub> in.)	26.2 cm (10 <sup>5</sup> / <sub>16</sub> in.)	26.2 cm (10 <sup>5</sup> / <sub>16</sub> in.)
③	1.7 cm ( <sup>11</sup> / <sub>16</sub> in.)	1.7 cm ( <sup>11</sup> / <sub>16</sub> in.)	1.7 cm ( <sup>11</sup> / <sub>16</sub> in.)	1.7 cm ( <sup>11</sup> / <sub>16</sub> in.)	1.7 cm ( <sup>11</sup> / <sub>16</sub> in.)
④	20.7 cm (8 <sup>1</sup> / <sub>8</sub> in.)	20.7 cm (8 <sup>1</sup> / <sub>8</sub> in.)	20.7 cm (8 <sup>1</sup> / <sub>8</sub> in.)	20.7 cm (8 <sup>1</sup> / <sub>8</sub> in.)	20.7 cm (8 <sup>1</sup> / <sub>8</sub> in.)
⑤	130.2 cm (51 <sup>5</sup> / <sub>16</sub> in.)	168.3 cm (66 <sup>1</sup> / <sub>4</sub> in.)	206.4 cm (81 <sup>1</sup> / <sub>4</sub> in.)	236.88 cm (93 <sup>1</sup> / <sub>4</sub> in.)	287.68 cm (113 <sup>1</sup> / <sub>4</sub> in.)

## Deployed Dimensions



Item	48 in. Model	63 in. Model	75 in. Model	90 in. Model	110 in. Model
①	48.6 cm (19 1/8 in.) <sup>1</sup>	48.6 cm (19 1/8 in.) <sup>1</sup>	48.6 cm (19 1/8 in.) <sup>1</sup>	48.6 cm (19 1/8 in.) <sup>1</sup>	48.6 cm (19 1/8 in.) <sup>1</sup>
②	46 cm (18 1/8 in.)	46 cm (18 1/8 in.)	46 cm (18 1/8 in.)	46 cm (18 1/8 in.)	46 cm (18 1/8 in.)
③	87.95 cm (34 5/8 in.)	126 cm (49 5/8 in.)	156.5 cm (61 5/8 in.)	194.6 cm (76 5/8 in.)	245.4 cm (96 5/8 in.)
④	107.32 cm (42 1/4 in.) <sup>1</sup>	145 cm (57 1/4 in.) <sup>1</sup>	175.9 cm (69 1/8 in.) <sup>1</sup>	213.7 cm (84 1/8 in.) <sup>1</sup>	264.5 cm (104 1/8 in.) <sup>1</sup>

<sup>1</sup> When deployed at maximum depth.



Item	All Models
⑤	61.2 cm (24 1/8 in.)
⑥	With transducer: 42.7 cm (16 13/16 in.) Without transducer: 41.2 cm (16 1/4 in.)
⑦	24.6 cm (9 11/16 in.)

## Specifications

### Trolling Motor

Weight (motor, mount, and cables)	48 in. white model: 22.6 kg (50 lb.) 48 in. black model: 23.2 kg (51 lb.) 63 in. white model: 24 kg (53 lb.) 63 in. black model: 24.5 kg (54 lb.) 75 in. white model: 24.5 kg (54 lb.) 75 in. black model: 25.4 kg (56 lb.) 90 in. white model: 25 kg (55 lb.) 90 in. black model: 25 kg (55 lb.) 110 in. white model: 26.2 kg (58 lb.) 110 in. black model: 26.2 kg (58 lb.)
Weight (stabilizer)	0.66 kg (1.45 lb.)
Operating temperature	From -5° to 40°C (from 23° to 104°F)
Storage temperature	From -40° to 85°C (-40° to 185°F)
Material	Mount and motor housing: aluminum Shaft cap, display panel, and side panels: plastic Motor shaft: fiberglass
Water rating	Shaft cap: IEC 60529 IPX5 <sup>2</sup> Steering motor housing: IEC 60529 IPX7 <sup>3</sup> Display panel housing: IEC 60529 IPX7 <sup>3</sup> Propeller drive motor housing: IEC 60529 IPX8 <sup>4</sup>

<sup>2</sup> Withstands projected water exposure from any direction (such as rain).

<sup>3</sup> Withstands incidental exposure of water up to 1 m for up to 30 min.

<sup>4</sup> Withstands continuous immersion in water up to 3 m deep.

Compass safe distance	61 cm (2 ft.)
Power cable length	1.2 m (4 ft.)
Input voltage	From 20 to 45 Vdc
Input amperage	60 A continuous
Breaker (not included)	42 VDC or greater, suitable for 60 A continuous <b>NOTE:</b> You can protect the system by using a larger circuit breaker, not to exceed 90 A, if you are operating under high temperatures or if you are sharing the circuit with other devices. You should verify that your boat wiring meets marine wiring standards using a larger breaker before changing it.
Main power usage at 36 Vdc 60 A	Off: 72 mW Full power: 2160 W
Wireless frequency and output power	2.4 GHz @ 17.4 dBm Max

## Remote Control

Dimensions (W×H×D)	152 x 52 x 32 mm (6 x 2 x 1 <sup>1</sup> / <sub>4</sub> in.)
Weight	109 g (3.8 oz.) without batteries
Material	Glass-filled nylon
Display type	Sunlight-visible, transfective memory-in-pixel (MIP)
Display resolution	R240 x 240 pixels
Display size (diameter)	30.2 mm (1 <sup>3</sup> / <sub>16</sub> in.)
Operating temperature	From -15° to 55°C (5° to 131°F)
Storage temperature	From -40° to 85°C (-40° to 185°F)
Battery type	2 AA (not included)
Battery life	240 hr., typical use
Radio frequency	2.4 GHz @ 3.4 dBm nominal
Water rating	IEC 60529 IPX7 <sup>5</sup>
Compass-safe distance	15 cm (6 in.)

## 联系信息

制造厂商：台湾国际航电股份有限公司

销售厂商：上海佳明航电企业管理有限公司

联络地址：上海市徐汇区桂平路 391 号（新漕河泾国际商务中心 A 座 37 层）

电话：021-60737675

客服专线：400-819-1899

## 聯絡地址

製造銷售：台灣國際航電股份有限公司

聯絡地址：新北市汐止區樟樹二路 68 號

電話：(02)2642-8999

客服專線：(02)2642-9199

## 低功率電波輻射器材管理宣告

本產品謹遵循中華民國國家通訊傳播委員會所頒布電信管理法，並經驗證通過合格，請使用者遵循相關電信法規以避免違反規定受罰。若使用者欲攜帶本機至其他國家應用，也請遵循該地區或國家之相關法令限制。根據國家通訊傳播委員會低功率射頻器材技術規範規定

3.8.2 章節：

取得審驗證明之低功率射頻器材，非經核准，公司、商號或使用者均不得擅自變更頻率、加大功率或變更原設計之特性及功能。

<sup>5</sup> Withstands incidental exposure of water up to 1 m for up to 30 min.

低功率射頻器材之使用不得影響飛航安全及干擾合法通信；經發現有干擾現象時，應立即停用，並改善至無干擾時方得繼續使用。

前項合法通信，指依電信法規定作業之無線電通信。低功率射頻器材須忍受合法通信或工業、科學及醫療用電波輻射性電機設備之干擾。

## 物質宣言

部件名称	有毒有害物质或元素									
	铅	汞	镉	六价铬	多溴联苯	多溴二苯醚	邻苯二甲酸二(2-乙基己)酯	邻苯二甲酸丁苯酯	邻苯二甲酸二丁酯	邻苯二甲酸二异丁酯
印刷电路板组件	×	○	○	○	○	○	○	○	○	○
金属零件	×	○	○	○	○	○	○	○	○	○
电缆 电缆组件 连接器	×	○	○	○	○	○	○	○	○	○
塑料和橡胶零件	○	○	○	○	○	○	○	○	○	○

本表格依据 SJ/T11364 的规定编制。

○: 代表此种部件的所有均质材料中所含的该种有害物质均低于 (GB/T26572) 规定的限量

×: 代表此种部件所用的均质材料中, 至少有一类材料其所含的有害物质高于 (GB/T26572) 规定的限量

\* 该产品说明书应提供在环保使用期限和特殊标记的部分详细讲解产品的担保使用条件。



이 기기는 업무용 환경에서 사용할 목적으로 적합성 평가를 받은 기기로서 가정용 환경에서 사용하는 경우 전파 간섭의 우려가 있습니다

## NBTC SDoC



© 2025 Garmin Ltd. or its subsidiaries

Garmin®, the Garmin logo, ActiveCaptain®, and Force® are trademarks of Garmin Ltd. or its subsidiaries, registered in the USA and other countries. These trademarks may not be used without the express permission of Garmin.

You should reference United States Code of Federal Regulations: 33 CFR 183 - Boats and Associated Equipment and ABYC E-11: AC and DC Electrical Systems on Boats when installing this trolling motor.

MN: A04109 / B04109 / C04109 / D04109 / E04109 / F04109

拖釣推進器