

GARMIN®

PANOPTIX™ PS22-IF ICE FISHING KIT AND BUNDLE INSTALLATION INSTRUCTIONS

Important Safety Information

⚠ WARNING

See the *Important Safety and Product Information* guide in the chartplotter or fishfinder product box for product warnings and other important information.

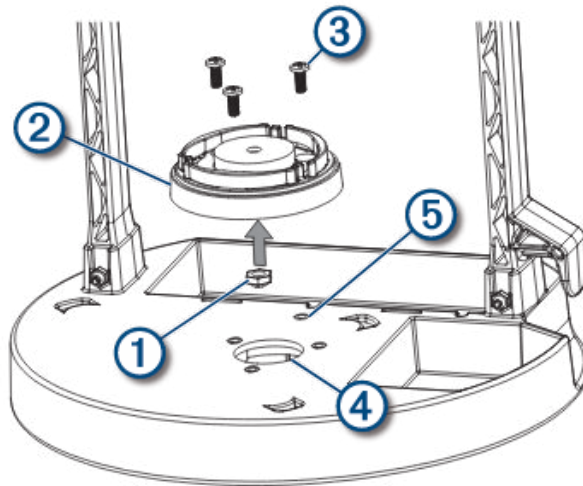
To obtain best performance and to avoid product damage and potential injury, you must install this mount using these instructions.

NOTE: Read all installation instructions before proceeding with the installation. If you experience difficulty during the installation, go to support.garmin.com for more information.

Assembling the Mount

The portable mount is preassembled in the ice fishing bundle. This step is only required for the ice fishing kit.

- 1 Press the M6 nut ① into the bottom of the swivel-mount base ②.



NOTE: If you purchased your chartplotter or fishfinder device separately, use the swivel-mount base and bail mount bracket included with your device.

- 2 Place the swivel-mount base on the portable mount and fasten the swivel-mount base using the three M4x10 mm screws ③.

NOTE: For 4 in. and 5 in. devices, install the mount on the front hole pattern ④. For 6 in. and 7 in. devices, install the mount on the rear hole pattern ⑤. The rear hole pattern allows more room in front of the device to close the front zipper of the bag.

- 3 Place the bail-mount bracket on the swivel-mount base.
- 4 Install the M6x1 mm screw through the bracket and base, and tighten to the preferred position.
- 5 Slide an included rubber washer onto each bail-mount knob, and screw the knobs into the sides of the device.

NOTE: The rubber washers enable you to adjust the viewing angle without loosening the knobs.

- 6 Place the device in the bail-mount bracket and tighten the bail-mount knobs.
- 7 If necessary, pull out enough slack from the power and transducer cables so the mount can fully tilt to the preferred positions when the cables are connected.

Connecting the Cables

CAUTION

Ensure that you connect the correct spade connector to the correct battery terminal. Damage to the battery or device, or bodily harm may occur if the device is improperly connected to the battery (not included).

- 1 Obtain an appropriate power cable and transducer cable to use with your chartplotter and transducer. The all-in-one power and transducer cable (010-12676-40) works with 7 inch or larger ECHOMAP™ chartplotters.
- 2 Connect the 4-pin power cable and transducer cable to the chartplotter.
- 3 Connect the transducer power leads to the gray bare wire connectors on the power cable.
- 4 Connect the 2-pin power cable to the sonar module.
- 5 Slide the red spade connector onto the positive (red) terminal on the battery.
- 6 Slide the black spade connector onto the negative (black) terminal on the battery.

Placing the Portable Mount in the Bag

After you have assembled the portable mount, you should place it in the bag, which makes it easier to carry and protects it from the elements. The bag contains loops that allow you to tether the bag as needed.

- 1 Place the portable mount into the bag.
- 2 If necessary, wrap the excess power cable and transducer cables around the handle.
- 3 Close all of the zippers.

You can use the zipper at the back of the bag for quick access to charge the battery. You can store the wall charger in the interior zippered pocket, and store the transducer in the exterior side pocket.

Panoptix Ice Fishing Mount Installation

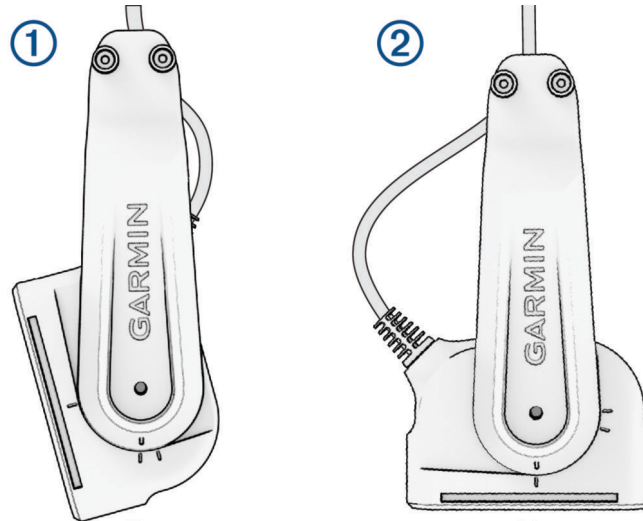
Installing the Panoptix Ice Float Mount and Transducer

- 1 Slide the float over the cable between the transducer and the directional indicator.
- 2 Loosen the knob to adjust the depth and direction of the transducer, and -tighten the knob to lock the depth and direction.
TIP: The top of the transducer must be below the bottom of the ice for best performance, and the arrow on the knob should point in the same direction as the front of the transducer.
- 3 Position the transducer for the desired view.
- 4 With the transducer cable connected to the back of the device, drop the transducer into the water.
- 5 Rotate the cable to aim the transducer.

Adjusting the Transducer Angle

The transducer should be angled properly for optimal imagery in each mode.

- 1 With the transducer mounted, angle the transducer according to the mode you will use:
 - For LiveVü Forward mode, angle the transducer forward and slightly downward ①.
 - For LiveVü Down mode, angle the transducer down ②.



TIP: You may want to experiment to find the best angle for your sonar needs.

TIP: For LiveVü Forward mode, adjust the angle 1 or 2 clicks downward in shallow water (less than 4.6 m/15 feet) and 2 or 3 clicks downward in deeper water (more than 4.6 m/15 feet).

- 2 Tighten the knob or mounting bolt so the device does not move during use.
- 3 On the chartplotter, select **Sonar**, and select **LiveVü Down** or **LiveVü Forward**.

Effective Forward and Down Range

NOTICE

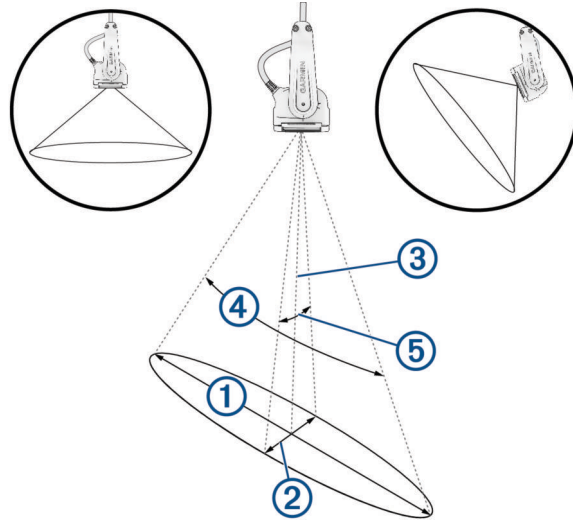
Water conditions and bottom conditions affect the depth and range performance of the transducer. You should use caution and observe the water depth and range to prevent damage or loss of the device, especially when your unit is operating in manual range or depth mode.

When operating in LiveVü Forward mode, the transducer has an effective forward range of between five and eight times the depth of the water. For example, in 3 m (10 ft.) of water, the effective forward range is between 15 and 24 m (between 50 and 80 ft.). Water conditions and bottom conditions affect the actual range.

When operating in LiveVü Down mode, the fore/aft range is equal to the depth of the water. For example, in 10 m (33 ft.) water depth, the screen will display 5 m (16 ft.) fore and 5 m (16 ft.) aft of the transducer. Deeper water provides a greater fore and aft range.

Beam width

When you point the transducer away from the bottom, the integrated stabilization system automatically aligns the beam vertical to the bottom. Regardless of the transducer orientation, the length cone angle ④ is always 120°, and the width cone angle ⑤ is 12° with the lens installed and 57° without the lens installed.



| | |
|---|---|
| ① | Length of beam at the bottom |
| ② | Width of beam at the bottom |
| ③ | Depth |
| ④ | 120° cone angle |
| ⑤ | 12° width cone angle with lens 57° width cone angle without lens |

Cleaning the Transducer

⚠ CAUTION

To avoid possible transducer damage or personal injury, use care when cleaning the transducer, particularly when attempting to remove severe fouling.

NOTICE

To prevent permanent damage to the surface of the transducer, do not use solvents such as mineral spirits, acetone, Methyl Ethyl Ketone (MEK), or similar products when cleaning. Do not use a power sander or pressure washer to clean the transducer.

Aquatic fouling accumulates quickly and can reduce your device's performance.

- 1 Remove the fouling with a soft cloth and mild detergent.
- 2 If the fouling is severe, use a non-metallic scouring pad or putty knife to remove growth.
- 3 Wipe the transducer dry.

Specifications

Ice Fishing Kit and Bundle Specifications

| | |
|--|--|
| Physical size, assembled kit with transducer (L x W x H) | 26.67 x 22.86 x 27.94 cm (10.5 x 9 x 11 in.) |
| Kit weight without transducer | 3.27 kg (7.2 lb.) |
| Bundle weight without transducer | 4.31 kg (9.5 lb.) |

Panoptix PS22-IF Specifications

| | |
|---|---|
| Dimensions (W x H x L) | 66 x 228.6 x 101.6 mm (2.6 x 9 x 4 in.) |
| Transducer and cable weight | 680 g (1.5 lb.) |
| Total weight (transducer, mount, and cable) | 1150 g (2.54 lb.) |
| Max. continuous power usage | 8 W |
| Peak transmit power | 48 W |
| Operating voltage | From 10 to 35 Vdc |
| Operating temperature range ¹ | From -10 to 40°C (from 14 to 104°F) |
| Storage temperature range | From -40 to 70°C (from -40 to 158°F) |
| Material | ASA plastic |
| Maximum range ² | 91.4 m (300 ft.) |
| Frequency | 417 kHz |
| Fuse rating | 4.0 A mini 32 Vdc |

© 2024 Garmin Ltd. or its subsidiaries

Garmin® and the Garmin logo are trademarks of Garmin Ltd. or its subsidiaries, registered in the USA and other countries. ECHOMAP™ and Panoptix™ are trademarks of Garmin Ltd. or its subsidiaries. These trademarks may not be used without the express permission of Garmin.

¹ When the transducer is used out of the water, the transducer monitors the internal temperature and suspends operation until the temperature returns to the operating range.

² Dependent upon transducer placement, water salinity, bottom type, and other water conditions.

