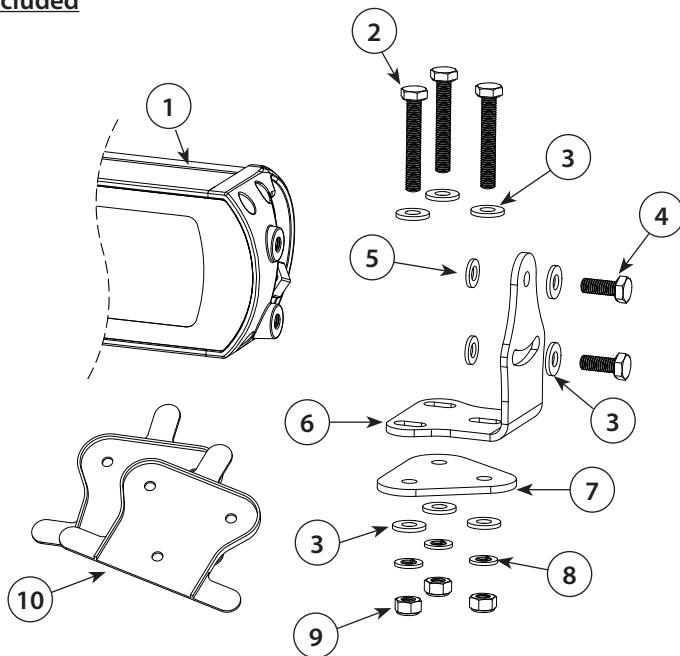




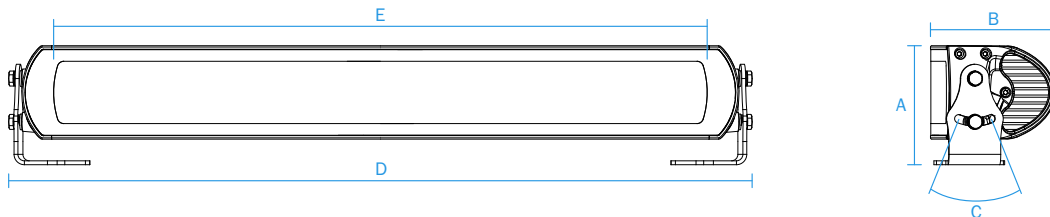
Please read the following pages before attempting installation to ensure complete understanding of Lumishore Light Bar - Curved. This product should only be installed, inspected, and maintained by a qualified electrician only, in accordance with all applicable electrical codes. Be certain electrical power is OFF before and during installation and maintenance.

**What's Included**



Item		Qty
(1)	Light Bar - Curved	(1)
(2)	M6 x 40mm Hex Bolt	(6)
(3)	M6 Flat Washer	(16)
(4)	M6 x 16mm Hex Bolt	(4)
(5)	M6 Nylon Washer	(4)
(6)	Bracket	(2)
(7)	Flat Plate	(2)
(8)	M6 Spring Washer	(6)
(9)	M6 Nylon Insert Nut	(6)
(10)	Bracket Drill Jig	(2)

**Basic Dimensions**



Model of Light	A	B	C	D	E
20"	92mm	96mm	44°	573mm	498mm
30"	92mm	111mm	44°	823mm	749mm
40"	92mm	132mm	44°	1070mm	999mm
50"	92mm	158mm	44°	1315mm	1246mm

**FOR REFERENCE ONLY**

## Installation Instructions:

1. Temporarily assemble the brackets onto the light bar and ensure the bracket drill jig is in place under each bracket (fig. 1 & 2).

Fig. 1

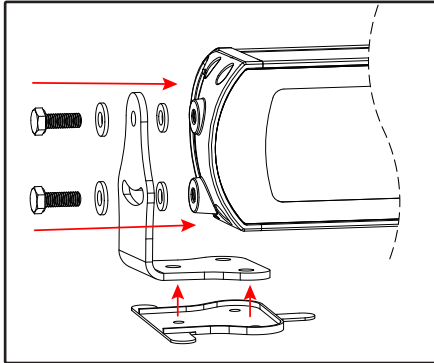
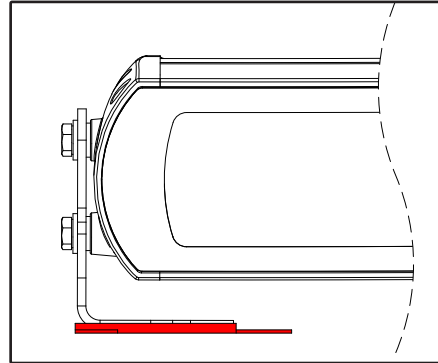


Fig. 2



2. Before permanently installing the light, find a suitable position that preferably avoids "Bow Glare". Using a piece of string from the bow of the boat to the top of the light (or draw an imaginary line) (fig 3), place and adjust the tilt of the light so that no light falls on to the bow (fig 4 & 5).

Fig. 3

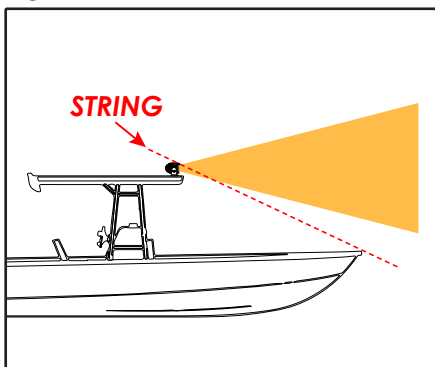


Fig. 4

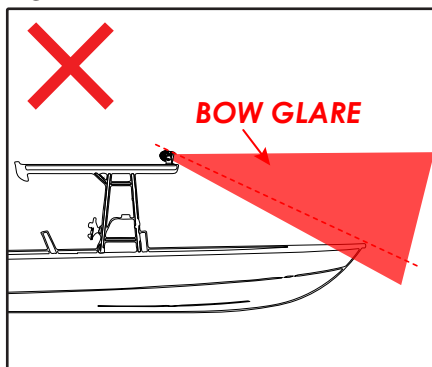
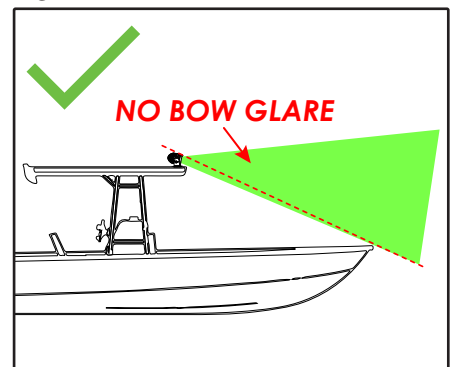


Fig. 5



3. Once the position and angle has been identified, make a temporary mark on the side of the bracket to mark the tilt of the light (for use later) (fig 6). NOW RETURN THE LIGHT TO ITS CENTRAL POINT AND LOCK IN PLACE (fig 7) – this ensures the drilled holes will be in the center of the bracket slots allowing full tilt movement of the light in the future.

Fig. 6

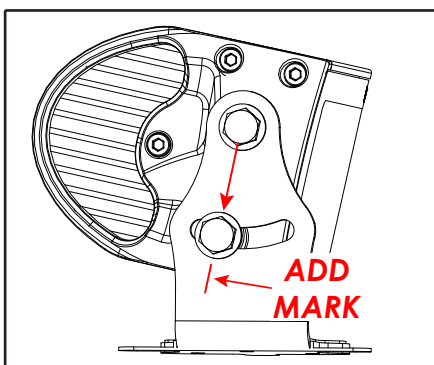
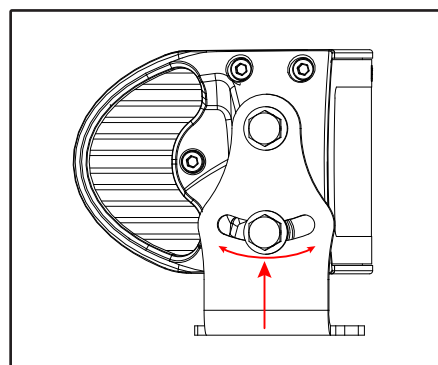


Fig. 7



4. Now secure the tabs of the bracket drill jig using a suitable tape (fig 8), lift the light and brackets away leaving the drill jigs in their correct place (fig 9).

Fig. 8

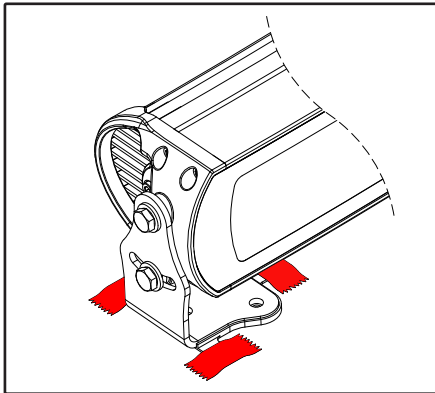
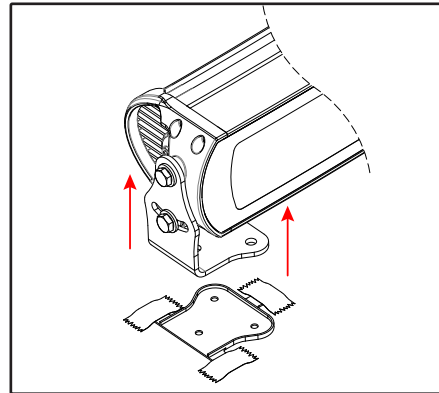


Fig. 9



5. Use the bracket drill jig to drill a 4mm pilot hole followed by a final drill diameter of 6.5mm for the M6 mounting bolts.

Fig. 10

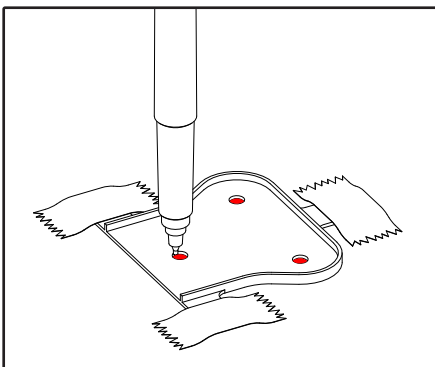


Fig. 11

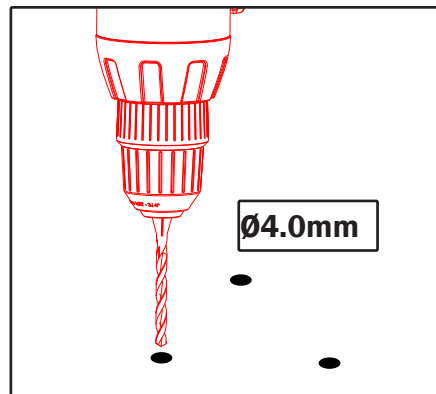
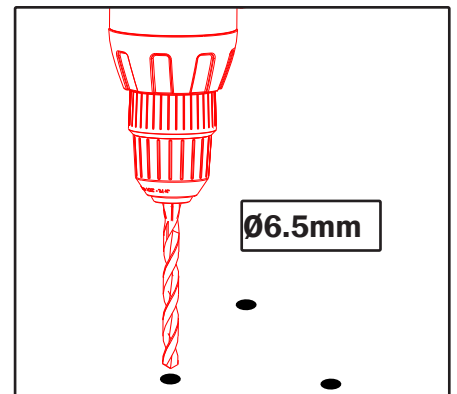


Fig. 12



6. Remove brackets from light. Using the supplied fixing hardware fix the brackets to the boat. It is recommended that marine sealant (3M 4200) is used in and around the mounting holes. The spreader plate is required to go underneath the mounting surface and provides an even distribution of force when tightening. It is important to note that at this stage these mounting bolts are to be left loose as this is a crucial step in adjusting the angle of the light in the coming steps.

Fig. 13

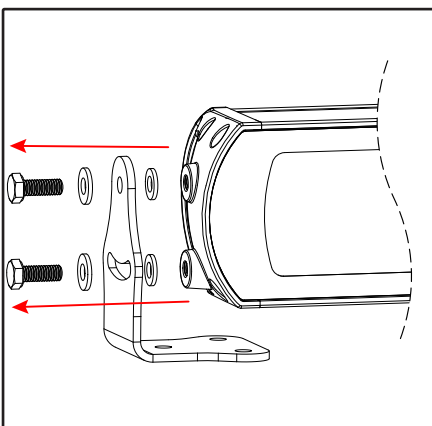


Fig. 14

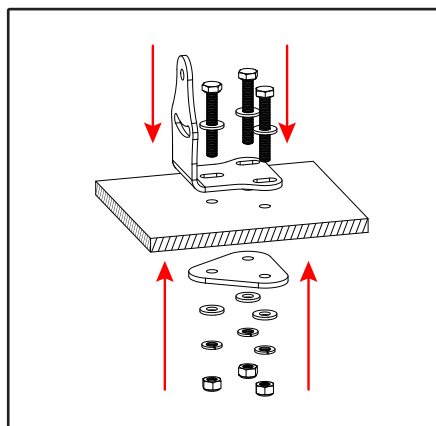
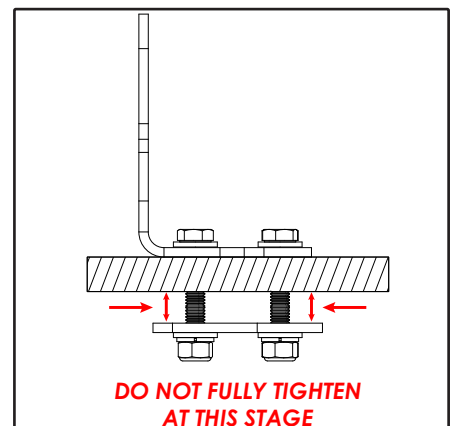


Fig. 15



7. Mount light to brackets using the fixing hardware from step 1 (note the location of the nylon washer). It is recommended to fit the top bolt on both sides first before fitting the angle lock bolt. Note: All bolts at this point should still be loose.

Fig. 16

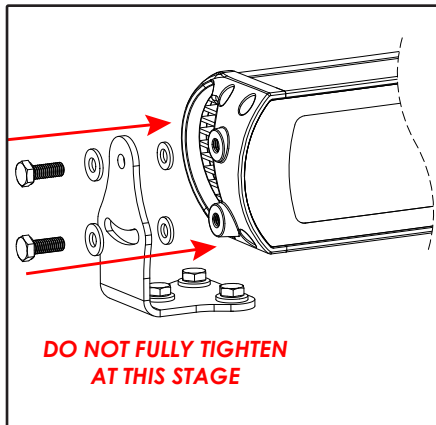
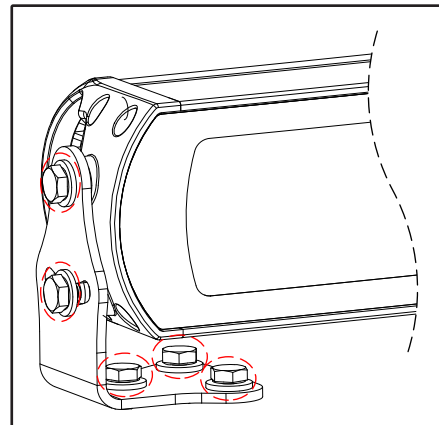


Fig. 17



8. Return the light to the marked angle (fig. 18). Bolts on the sides of each bracket can now be tightened to a final torque of 8Nm. Only once the light has been angled and side bolts tightened can the brackets be tightened down.

Fig. 18

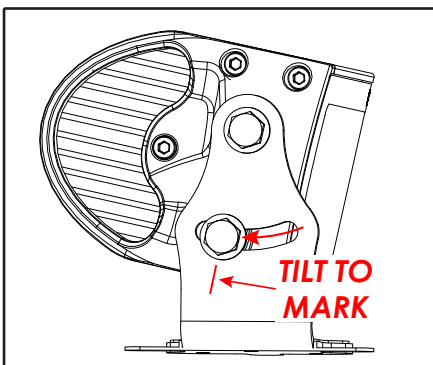


Fig. 19

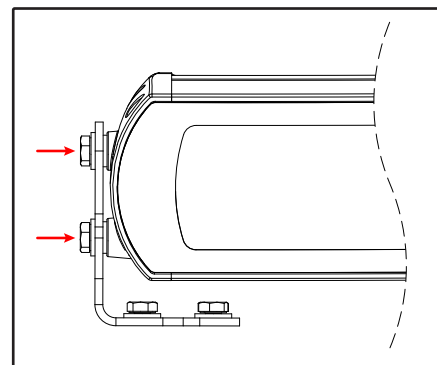
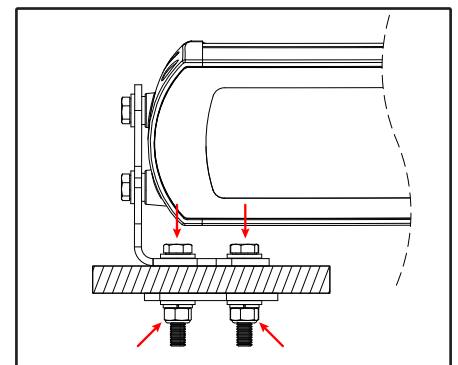


Fig. 20



9. Locate a suitable entry point for the cable and drill a 9.5mm hole. The cable should always be in a 'fixed' position, no movement or rotation. The cable entry should be made watertight with marine sealant (3M 4200), the use of a cable gland is recommended.

Fig. 21

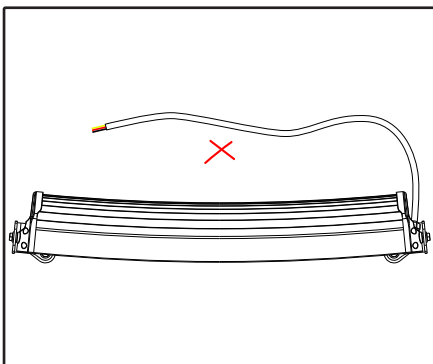


Fig. 22

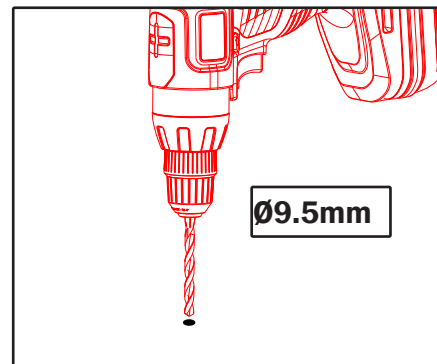
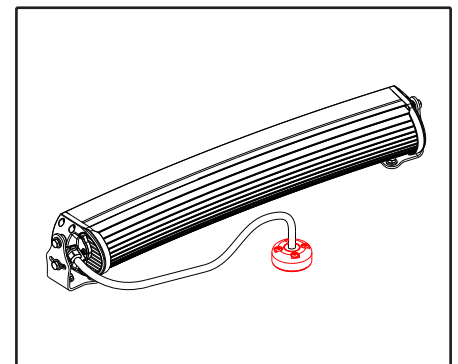


Fig. 23



**Note : If the light tilt requires adjustment after installation, it is important to loosen ALL bolts and adjust accordingly. Revisit step 8 once adjusted.**

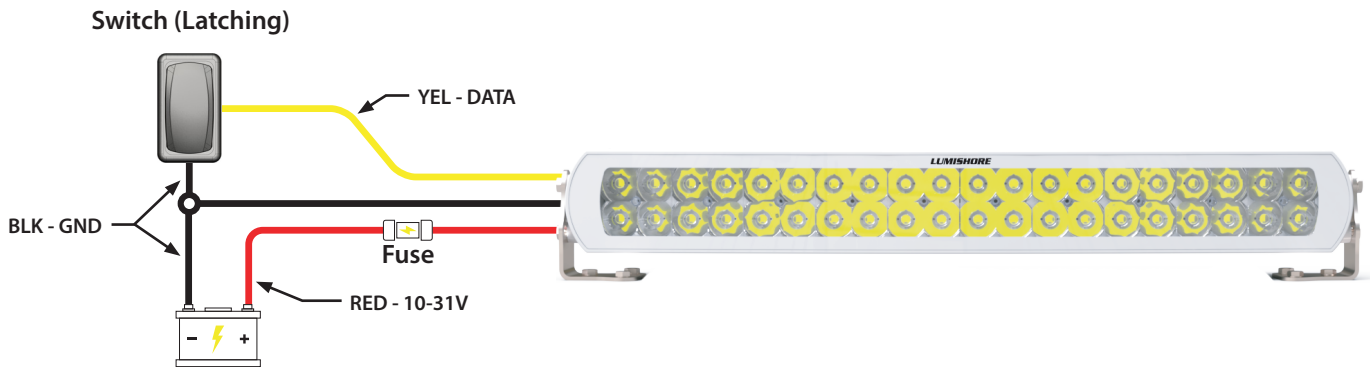


## Wiring Diagrams:

Wiring should be carried out as per ABYC guidelines. The Lumishore Light Bar - Curved will operate with a simple On/Off switch, it can also be controlled by MFD via LUX Light Control Module and EOS-LUX Command Center. For further electrical installation instructions and wiring diagrams please refer to the LUX Light Module installation guide (45-0145). Each lighting circuit must be fused accordingly.

Model of Light	Voltage	Amps (max) @ 12V	Amps (max) @ 24V
20"	10-31VDC	12.8A	6.2A
30"		19.3A	9.7A
40"		25.7A	12.9A
50"		32.1A	16.0A

### Single switch wiring - Control via latching switch



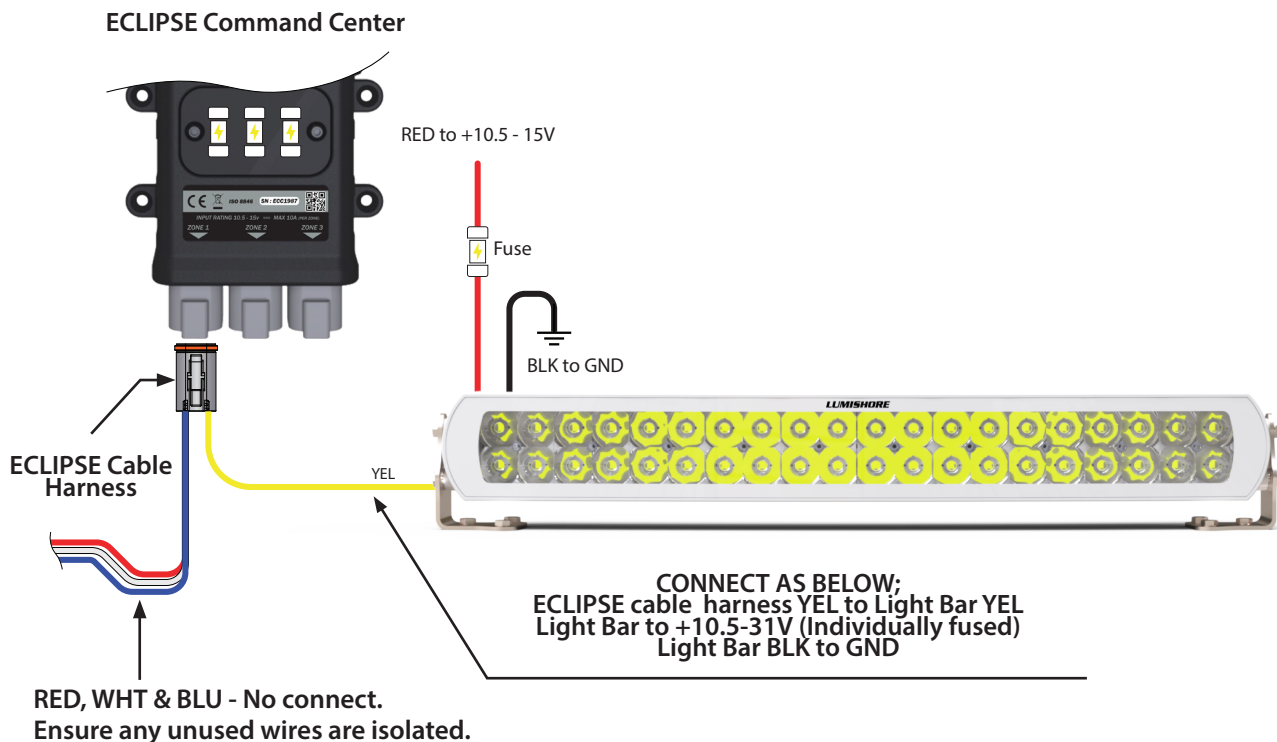
### Light Operation (Latching switch):

- Turn switch ON to power light at full power.



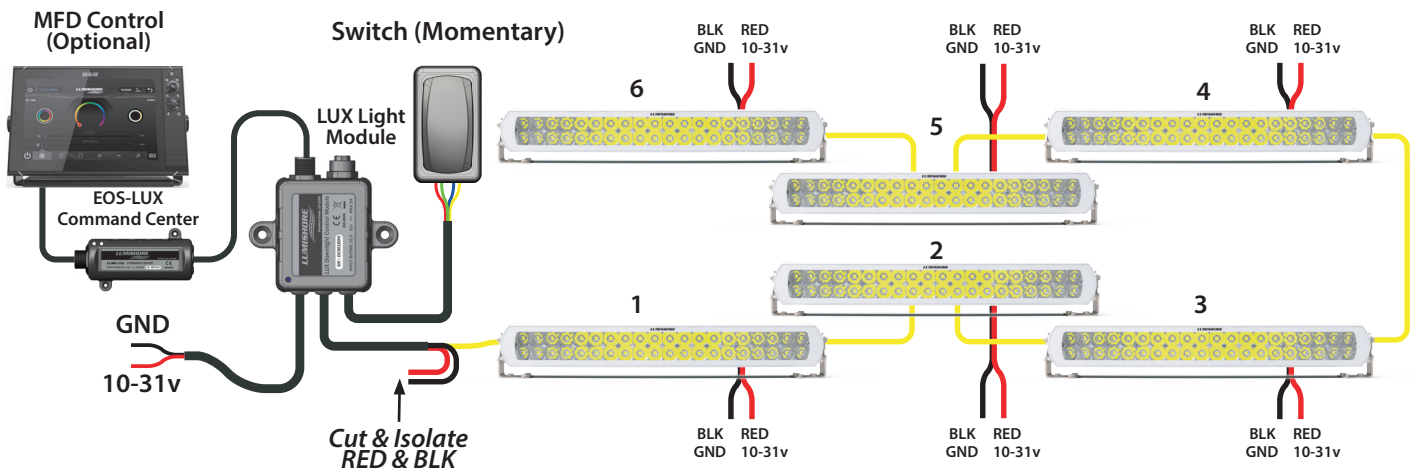
**Important! The ECLIPSE Command Center installation is suitable for 12V boats ONLY.**

### 1 (or more) light per Command Center



## MFD Control via LUX Light Control Module

*Max 16 lights per LUX Light Module*



**Note :** *Black wire from each light and LUX Module should connect to common ground*



**DO NOT connect red and black power wires of light to the LUX Module.**  
**Feed each light with it's own fused supply.**



### Light Operation (Momentary switch):

1. Press switch once to turn ON.
2. Press and hold to dim lights.
3. Press switch once to turn OFF.

### Cleaning and Maintenance:

Use only soap and water to clean the light using a soft cloth. DO NOT use any chemical cleaners and DO NOT power wash. Inspection of the light should be carried out regularly.

### Safety Information:

This luminaire has been photobiologically tested and given Risk Group 2 rating.

"The luminaire should be positioned so that prolonged staring into the luminaire at a distance closer than 0.322m is not expected"



Risk Group 2 (moderate)	
	<p>CAUTION. Possibly hazardous optical radiation emitted from this product. Do not stare at operating lamp. May be harmful to the eyes.</p>
<p>RG2 Illuminance threshold : <math>E_{thr} = 853 \text{ Lux}</math>                  RG1/2 (<math>E_{thr}</math>) Hazard boundary : <math>d_{thr} = 0.322\text{m}</math></p>	
Product tested against IEC 62471	

**Warranty:**

LUMISHORE Ltd warrants its lighting systems and associated lights and accessories to be free from defects in workmanship for a period of three years, starting from the date of original purchase. Should your lighting system have a problem during this period, please contact your dealer, boat manufacturer or broker as soon as you become aware of the defect.

Misuse, abuse, improper installation, neglect, improper shipping, damage caused by disasters (e.g. fire, flood, storm and lightning), installation by unqualified personnel, unauthorized repair or modification or non-approved installations will void this warranty. For the avoidance of confusion and doubt, non compliance with all installation guidelines, maintenance and operating instructions in this document constitute non conformance with warranty terms.

Full warranty details including exclusions are available at [www.Lumishore.com](http://www.Lumishore.com).

