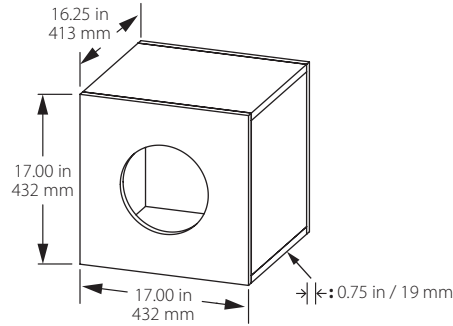




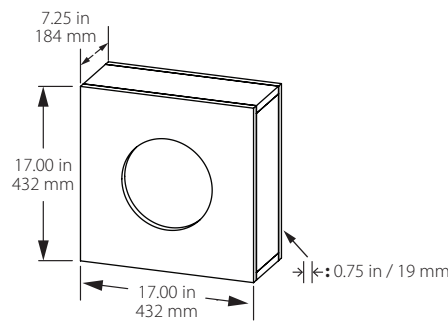
M6-10IB



V: 2.00 ft³ / 56.6 L (NET)
F3: 41.54 Hz
Fc: 53.41 Hz
Qtc: 1.0253



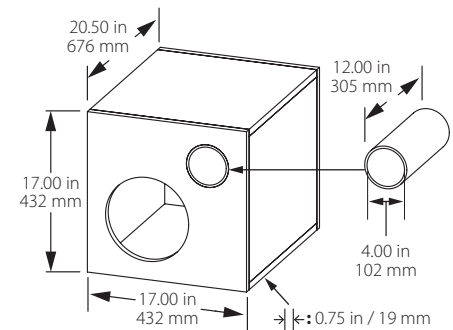
M6-10W



V: 0.75 ft³ / 21.2 L (NET)
F3: 50.08 Hz
Fc: 56.01 Hz
Qtc: 0.8035



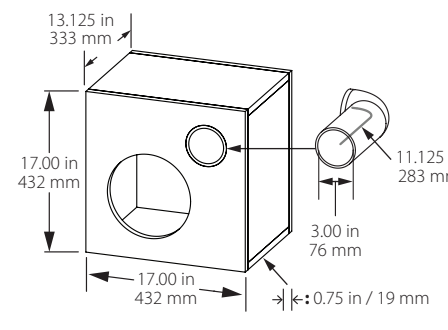
M6-10IB



V: 2.50 ft³ / 70.8 L (NET)
F3: 25.09 Hz
Tune to: 30 Hz



M6-10W



V: 1.50 ft³ / 42.5 L (NET)
F3: 29.81 Hz
Tune to: 31 Hz

EN

IMPORTANT:

- Installation requires appropriate tools and safety equipment. Professional installation is recommended.
- This product is water-resistant. Do not submerge or subject to high-pressure water spray.
- Water exposure and damage to the rear of the product will void the warranty.
- Before installation, turn off the audio system and disconnect the battery system from the audio system.
- Before cutting or drilling, check for potential obstacles behind mounting surfaces.
- Do not mount this product in an engine compartment or other area of extreme heat.
- Mount this product securely to prevent damage or injury in severe conditions.
- Wash with mild soap and rinse with freshwater only.

RGB LED Illumination:

- LED functionality requires separate 12V wiring at each speaker location.
- Individual leads can be wired to achieve up to seven fixed LED colors (see chart on opposite page). Adjustable LED control requires an RGB lighting controller (sold separately).
- Check with your local waterway authority for regulations on the use of accent/speaker lighting on your vessel.

!!! WARNING

You must install an inline fast-blow fuse on the positive wire at the power source end of the LED cable for each speaker to protect the LEDs and the speaker from excessive electrical current. Failure to install a fuse could cause a fire resulting in property damage, serious personal injury, or death. See table below for fuse values for each loudspeaker model.
M6-10: 750 mA

!!! WARNING

Listen to your audio system at levels appropriate for operating conditions and hearing safety.

FR

IMPORTANT :

- L'installation nécessite des outils et des équipements de sécurité appropriés. Une installation par un professionnel est recommandée.
- Ce produit résiste à l'eau. Ne l'immergez pas ou ne le soumettez pas à un jet d'eau à haute pression.
- Avant l'installation, éteignez le système audio et débranchez la batterie de ce dernier.
- Avant de procéder au découpage ou au perçage, vérifiez l'absence d'obstacles potentiels derrière les surfaces de montage.
- Ne montez pas ce produit dans un compartiment moteur ou une autre zone de chaleur extrême.
- Fixez solidement ce produit pour éviter tout risque de dommages ou de blessures graves.
- Lavez ce produit avec un savon doux et rincez-le à l'eau douce uniquement.

Éclairage LED RGB :

- Les LED nécessitent un câblage 12 V distinct pour chaque haut-parleur.
- Les fils peuvent être câblés de manière à obtenir jusqu'à sept couleurs de LED fixes (voir le tableau de la page suivante). Le réglage des LED nécessite un contrôleur RGB (vendu séparément).
- Vérifiez la réglementation relative à l'utilisation d'éclairage d'accentuation/pour haut-parleurs sur votre bateau auprès des autorités chargées des voies navigables.

!!! AVERTISSEMENT

Vous devez installer un fusible à fusion rapide en ligne sur le fil positif sur l'extrémité côté source d'alimentation du câble LED pour chaque haut-parleur afin de protéger les LED et le haut-parleur d'un courant électrique excessif. Si vous ne le faites pas, vous risquez de provoquer un incendie pouvant entraîner des dommages matériels et des blessures graves, voire mortelles. Reportez-vous au tableau ci-dessous pour connaître les caractéristiques des fusibles pour chaque modèle de haut-parleur.
M6-10: 750 mA

!!! AVERTISSEMENT

Écoutez votre système audio à un volume adapté aux conditions de fonctionnement et à votre audition.

ES

IMPORTANTE:

- Para la instalación se requieren herramientas y equipos de seguridad adecuados. Se recomienda que la instalación la realice un profesional.
- Este producto es resistente al agua. No se debe sumergir ni rociar con agua a alta presión.
- Antes de la instalación, apague el sistema de audio y desconecte el sistema de batería del sistema de audio.
- Antes de cortar o taladrar, compruebe que no haya obstáculos detrás de las superficies de montaje.
- No monte este producto en el compartimento del motor ni en otra zona de calor extremo.
- Monte este producto de forma segura para evitar daños o lesiones en condiciones extremas.
- Para lavarlo, use jabón suave y aclárelo solo con agua dulce.

Iluminación LED RGB:

- La función de iluminación LED requiere un cableado de 12 V separado para cada uno de los altavoces.
- Se pueden conectar diferentes cables para conseguir hasta siete colores fijos de LED (véase la tabla en la página opuesta). Para el control LED ajustable es necesario un controlador de iluminación RGB (se vende por separado).
- Consulte con el organismo local correspondiente la normativa sobre el uso de iluminación de realce y en los altavoces en las embarcaciones.

!!! ADVERTENCIA

Debes instalar un fusible rápido en línea en el cable positivo del extremo de la fuente de alimentación del cable LED de cada altavoz para proteger los LED y el altavoz de corrientes eléctricas excesivas. Si no lo haces, se podría producir un incendio que podría provocar daños materiales, lesiones graves o incluso la muerte. Consulta la tabla siguiente para conocer los valores de los fusibles para cada modelo de altavoz.
M6-10: 750 mA

!!! ADVERTENCIA

Escuche el sistema de audio a un volumen adecuado, teniendo en cuenta las condiciones de funcionamiento y la seguridad auditiva.

DE

WICHTIG:

- Die Installation erfordert geeignetes Werkzeug und Sicherheitsausrüstung. Es wird eine Installation durch eine Fachkraft empfohlen.
- Dieses Produkt ist wasserbeständig. Nicht eintauchen oder Hochdruckwasserspray aussetzen.
- Schalten Sie vor der Installation das Audiosystem aus und trennen Sie das Batteriesystem vom Audiosystem.
- Kontrollieren Sie vor dem Schneiden oder Bohren, ob sich hinter den Montageflächen mögliche Hindernisse befinden.
- Montieren Sie dieses Produkt nicht in einem Motorraum oder einem anderen Bereich mit extremer Wärme.
- Achten Sie auf eine sichere Befestigung dieses Produkts, um Beschädigungen oder Verletzungen bei starkem Seegang zu vermeiden.
- Mit milder Seife waschen und nur mit Süßwasser abspülen.

RGB-LED-Beleuchtung:

- Für die LED-Funktionalität ist an jedem Einbaort der Lautsprecher eine separate 12-V-Verkabelung erforderlich.
- Die einzelnen Leitungen können so verdrahtet werden, dass bis zu sieben festgelegte LED-Farben zur Verfügung stehen (siehe Tabelle auf der gegenüberliegenden Seite). Die anpassbare LED-Steuerung erfordert eine RGB-Beleuchtungssteuerung (separat erhältlich).
- Erkundigen Sie sich bei Ihrer örtlichen Wasserstraßenbehörde nach Vorschriften für die Verwendung von Akzent-/Lautsprecherbeleuchtung auf Ihrem Boot.

!!! WARNUNG

Sie müssen eine leitungsinterne, flinke Sicherung an der positiven Leitung am Ende des LED-Kabels installieren, das zur Stromversorgung führt. Dies gilt für jeden Lautsprecher. Auf diese Weise werden die LEDs und der Lautsprecher vor Überstrom geschützt. Falls keine Sicherung installiert wird, könnte es zu einem Brand und dadurch zu Sachschäden sowie zu schweren oder tödlichen Personenschäden kommen. In der nachfolgenden Tabelle finden Sie die Sicherungswerte für jedes Lautsprechermodell.
M6-10: 750 mA

!!! WARNUNG

Betreiben Sie Ihr Audiosystem mit einer Lautstärke, die den Umgebungsbedingungen und der Hörsicherheit entspricht.

IT

IMPORTANTE:

- Per l'installazione si richiedono strumenti e attrezzature di sicurezza idonei. Si consiglia di far eseguire l'installazione da un professionista.
- Questo prodotto è resistente all'acqua. Non immergere o esporre a getti di acqua ad alta pressione.
- Prima dell'installazione, spegnere l'impianto audio e scollegare l'impianto della batteria dall'impianto audio.
- Prima di eseguire tagli o perforazioni, verificare la presenza di potenziali ostacoli dietro le superfici di montaggio.
- Non montare questo prodotto in un vano motore oppure in altre aree con temperature estreme.
- Montare il presente prodotto in posizione salda, al fine di evitare danni o lesioni in condizioni avverse.
- Pulire con del sapone delicato e risciacquare soltanto con acqua dolce.

illuminazione a LED RGB:

- La funzione a LED richiede un cablaggio separato da 12 V in corrispondenza della sede di ciascun altoparlante.
- È possibile collegare i cavi singoli per ottenere fino a sette colori fissi del LED (vedere il grafico nella pagina accanto). Il controllo regolabile del LED richiede un controller dell'illuminazione RGB (venduto separatamente).
- Rivolgersi alle autorità locali portuali e marine per le disposizioni in materia di utilizzo dell'illuminazione di accento/altoparlanti sulla propria imbarcazione.

!!! AVVERTIMENTO

È necessario installare un fusibile in linea rapido sul cavo positivo all'estremità della fonte di alimentazione del cavo LED per ciascun altoparlante, al fine di proteggere i LED e l'altoparlante da una corrente elettrica eccessiva. La mancata osservanza di tale avvertenza può causare danni alle proprietà, lesioni personali gravi o morte. Consultare la tabella seguente per i valori dei fusibili adeguati a ciascun modello di altoparlante.
M6-10: 750 mA

!!! AVVERTIMENTO

Ascoltare l'impianto audio a livelli appropriati per le condizioni di utilizzo e la protezione dell'udito.



M6-10IB M6-10W

10 in / 250 mm Marine Subwoofer with Built-In RGB LED Lighting (optional)

Un subwoofer marin de 10 po / 250 mm avec LED RGB intégrée (optionnelle)

Subwoofer marino de 10 in / 250 mm con indicador luminoso LED RGB incorporado (opcional)

Boots-Subwoofer (250 mm) mit integrierten RGB-LEDs (optional)

Un subwoofer marino da 250 mm con luci a LED RGB integrate (opzionale)

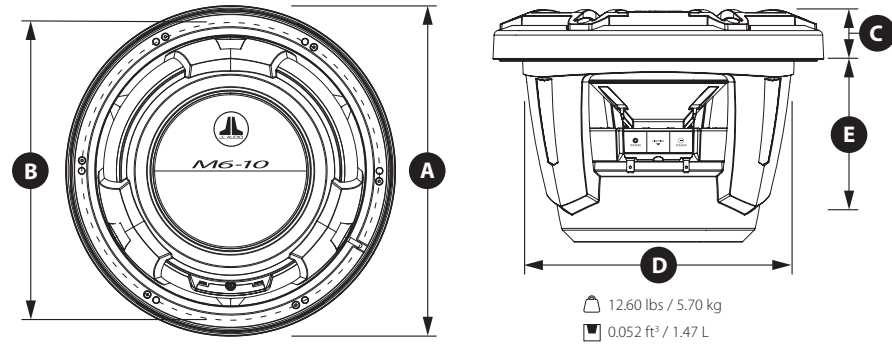
OWNER'S MANUAL



M6-10IB-10W_MAN_072523_SKU#011604

190-03236-03_0B

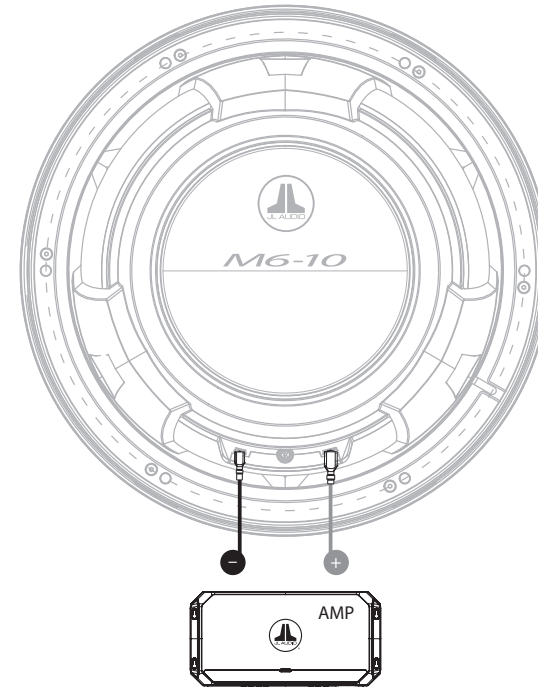
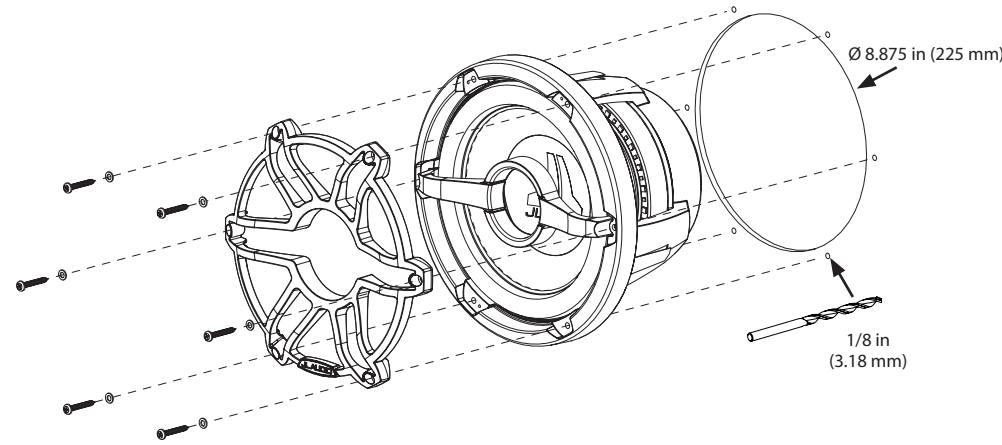
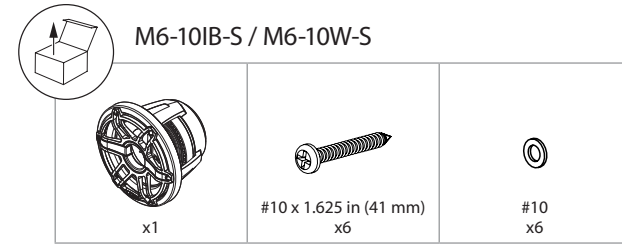
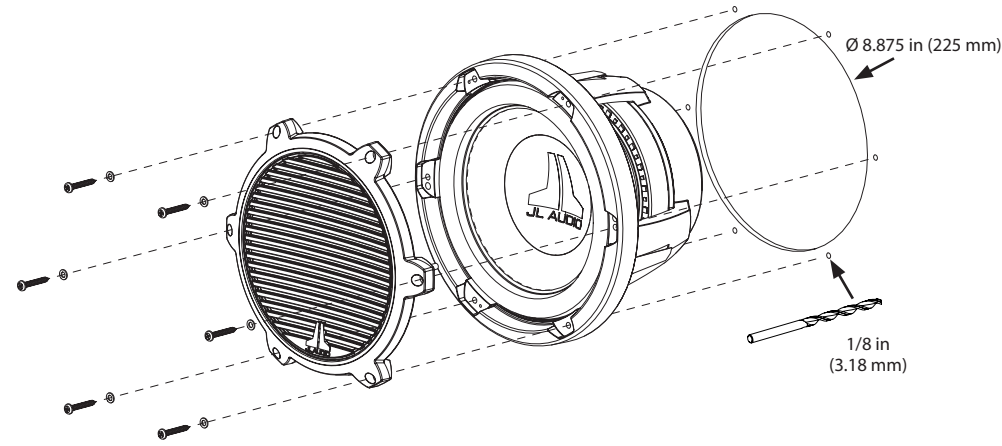
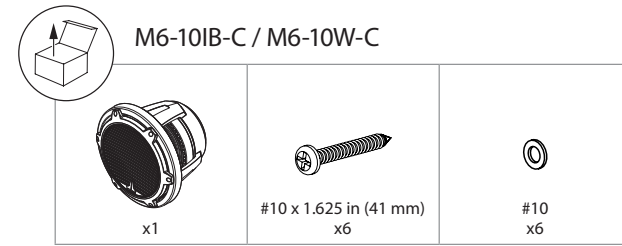
M6-10IB / M6-10W



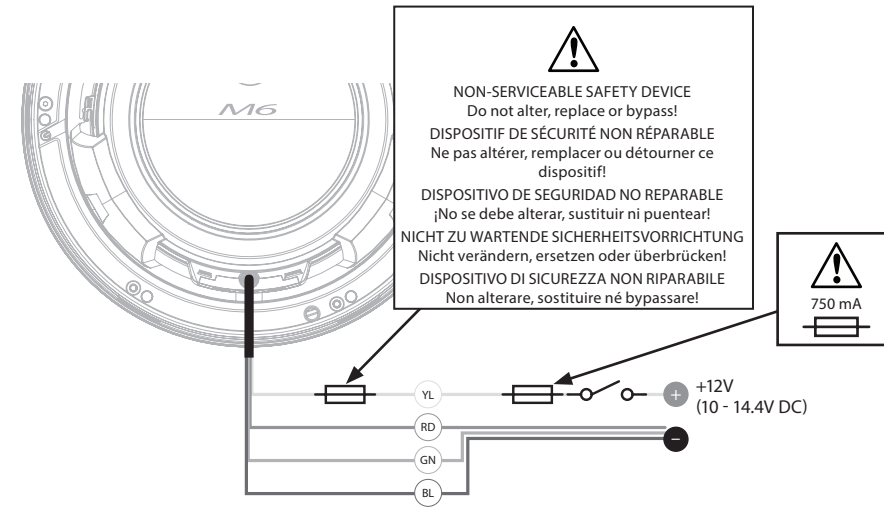
12.60 lbs / 5.70 kg
0.052 ft³ / 1.47 L

	M6-10IB-C	M6-10IB-S	M6-10W-C	M6-10W-S
A	10.75 in / 273 mm		10.75 in / 273 mm	
B	9.70 in / 247 mm		9.70 in / 247 mm	
C	1.66 in / 42 mm	1.66 in / 42 mm	1.66 in / 42 mm	1.66 in / 42 mm
D	8.875 in / 225 mm		8.875 in / 225 mm	
E	5.90 in / 150 mm		5.90 in / 150 mm	
RMS	250 W		250 W	
XMAX	0.52 in / 13.2 mm		0.52 in / 13.2 mm	
SPL	86.1 dB @ 1W/1m		86.4 dB @ 1W/1m	
ZNOM	4 Ω		4 Ω	
IB	✓		✗	
ENC-S	✓		✓	
ENC-P	✓		✓	

	M6-10IB	M6-10W
Fs	43.76 Hz	34.58 Hz
Qes	0.907	0.522
Qms	11.315	9.780
Qts	0.840	0.496
Vas	0.98 ft³ 27.75 L	1.22 ft³ 34.49 L
Sd	50.11 in² 0.0323 m²	50.11 in² 0.0323 m²
Re	4.543 Ω	3.619 Ω



LED (optional / optionnelle / opcional / optional / opzionale)



- RD - Red / Rojo / Rouge / Rot / Rosso
20 AWG / 0.50 mm²
- GN - Green / Verde / Vert / Grün / Verde
20 AWG / 0.50 mm²
- BL - Blue / Azul / Bleu / Blau / Blu
20 AWG / 0.50 mm²
- YL - Yellow / Amarillo / Jaune / Gelb / Giallo
20 AWG / 0.50 mm²
- LED = 594 mA @ 14.4V DC

LED Color/Couleur/Farbe/Colore	
RD	Red / Rojo / Rouge / Rot / Rosso
GN	Green / Verde / Vert / Grün / Verde
BL	Blue / Azul / Bleu / Blau / Blu
RD + GN	Yellow / Amarillo / Jaune / Gelb / Giallo
RD + BL	Pink / Rosado / Rose / Pink / Rosa
GN + BL	Aqua / Colore Acqua
RD + GN + BL	White / Blanco / Weiss / Bianco

EN Product images shown are for illustrative purposes only and may differ from the actual product. Due to continuous product development, all specifications are subject to change without notice. FR Les images des produits sont fournies à titre d'illustration uniquement et peuvent différer du produit réel. En raison du développement continu de nos produits, toutes les caractéristiques sont susceptibles d'être modifiées sans préavis. ES Las imágenes del producto se muestran solo para fines ilustrativos y pueden diferir del producto real. Dado que el desarrollo de producto es continuo, todas las especificaciones están sujetas a cambios sin previo aviso. DE Die gezeigten Produktbilder dienen nur zur Veranschaulichung und können vom tatsächlichen Produkt abweichen. Durch die Weiterentwicklung der Produkte können alle technischen Daten ohne Ankündigung geändert werden. IT Le immagini del prodotto mostrate sono solo a scopo illustrativo e potrebbero differire dal prodotto effettivo. A causa dello sviluppo continuo del prodotto, tutte le specifiche potrebbero essere soggette a modifica senza preavviso.

GARMIN®

MOUNTING LOCATION AND WATER RESISTANCE

2 Instructions
2 Instructions
3 Istruzioni
4 Anweisungen
6 Instrucciones

MOUNTING LOCATION AND WATER RESISTANCE

Instructions

Important Safety Information

WARNING

This device must be installed according to these instructions to avoid serious personal injury or possible property damage.

Disconnect the vessel's power supply before beginning to install this device to avoid serious personal injury or possible property damage.

CAUTION

It is strongly recommended that you have your audio system installed by a professional installer to ensure optimum performance and to avoid personal injury or property damage.

Continuous exposure to sound pressure levels over 100 dBA may cause permanent hearing loss. The volume is typically too loud if you cannot hear people speaking around you. Limit the amount of time you listen at high volume. If you experience ringing in your ears or muffled speech, stop listening and have your hearing checked.

To avoid possible personal injury, always wear safety goggles, ear protection, and a dust mask when drilling, cutting, or sanding.

NOTICE

When drilling or cutting, always check what is on the opposite side of the surface to avoid damaging the vessel.

You must read all installation instructions before beginning the installation. If you experience difficulty during the installation, go to support.garmin.com for product support.

Mounting Location and Water Resistance

WARNING

The front of the speaker is protected from water ingress. The rear of the speaker, including all connected components and wires, is not waterproof and must be protected against moisture exposure. Moisture exposure to the rear of the speaker can lead to speaker component failure which can cause a fire resulting in property damage, serious personal injury, or death.

NOTICE

When mounting the speaker in an area exposed to weather or water, you must mount the speaker on a vertical surface. If you mount the speaker on a horizontal surface facing up, water can gather in and around the speaker, causing damage over time.

If you intend to mount the speakers outside the boat, you must mount them in a location well above the waterline, where they are not submerged or damaged by docks, pilings, or other pieces of equipment. When mounted correctly, these speakers are rated for protection from the front of the speaker. Water exposure and damage to the rear of the speaker voids the warranty. This includes situations when the speakers are mounted in an enclosure, especially if they are exposed to wash down. Using an enclosure with a port or vent exposed to the outside environment may allow water to collect and damage the speaker.

You must turn off the audio system before making any connections to the source unit, amplifier, or speakers. Failure to do so could result in permanent damage to the audio system.

You should protect all terminals and connections from grounding and from each other. Failure to do so could result in permanent damage to the audio system and void the product warranty.

When selecting a mounting location for the speakers, observe these considerations:

- You must select a mounting location that protects the rear of the speaker from moisture exposure.
- You must select mounting locations that provide sufficient clearance for the mounting depth of the speakers as specified in the product specifications.
- You should select a flat, vertical mounting surface for the best seal.
- You should protect the speaker wires from sharp objects and always use rubber grommets when wiring through panels.

- To avoid interference with a magnetic compass, you should not mount the speakers closer to a compass than the compass-safe distance value listed in the product specifications.

Selecting the correct mounting location optimizes the performance of each speaker. The speakers are designed to perform in the widest possible range of mounting locations, but the more you plan the installation, the better the speakers' sound will be.

LED Fuse Installation

WARNING

You must install an inline fast-blow fuse on the positive wire at the power-source end of the LED cable for each speaker to protect the LEDs and the speaker from excessive electrical current. Failure to install a fuse could cause a fire resulting in property damage, serious personal injury, or death.

- The fuse must be installed in a fuse holder intended for marine use.
- The fuse must be installed on the positive wire on the power-source end of the LED cable.
- The fuse must be installed for use with any power source, including a lighting controller.
- Always use a fuse of the correct amperage rating and type for your speaker model.

Speaker Model	Fast-blow Fuse Rating
M3-650X OEM and retail speakers and VeX Enclosed Speaker Systems with LED lighting	150 mA
M3-770X OEM and retail speakers and ETXv3 Enclosed Speaker Systems with LED lighting	150 mA
M3-101B OEM and retail subwoofers with LED lighting	150 mA
M6-650X OEM and retail speakers and VeX Enclosed Speaker Systems with LED lighting	500 mA
M6-770X OEM and retail speakers and ETXv3 Enclosed Speaker Systems with LED lighting	500 mA
M6-880X OEM and retail speakers and ETXv3 Enclosed Speaker Systems with LED lighting	750 mA
M6-81B OEM and retail subwoofers with LED lighting	750 mA
M6-101B/W OEM and retail subwoofers with LED lighting	750 mA
M7-121B OEM and retail subwoofers with LED lighting	750 mA

Connecting the LED Wires Directly to Power

NOTE: LEDs are not available on all models.

You must connect all 12 Vdc wiring for the LEDs to a fuse at the power-source end of the cable. You should connect the positive (+) power wire to a 12 Vdc power source through an isolator switch or circuit breaker to turn the LEDs on and off. You can use the same isolator or circuit breaker controlling the power supply to your stereo, which allows you to turn the LEDs and the stereo on and off at the same time. The fuse must be installed between the LED cable and the isolator switch or circuit breaker.

You should use 20 AWG (0.5 through .75 mm²) or thicker wire to connect the LEDs to the battery.

- Route the positive power (+) and negative ground (-) wires from the LED-wire connections to the battery.
- Connect the negative wire to the negative (-) battery terminal.
- Connect the positive wire to the positive (+) terminal through the appropriate fuse (*LED Fuse Installation*, page 2) and an isolator switch or circuit breaker.

EMPLACEMENT DE MONTAGE ET RÉSISTANCE À L'EAU

Instructions

Informations importantes relatives à la sécurité

AVERTISSEMENT

Cet appareil doit être installé conformément aux présentes instructions pour éviter des blessures graves ou d'éventuels dommages matériels.

Débranchez l'alimentation électrique du bateau avant de commencer à installer cet appareil afin d'éviter de graves blessures ou d'éventuels dommages matériels.

⚠ ATTENTION

Pour optimiser les performances et éviter tout risque de blessures ou de dommages matériels, il est vivement recommandé de confier l'installation du système audio à un professionnel.

L'exposition prolongée à des niveaux de pression acoustique supérieurs à 100 dBA peut entraîner une perte d'audition irréversible. Le volume est généralement trop élevé si vous ne parvenez pas à entendre les personnes qui parlent autour de vous. Limitez le temps d'écoute durant lequel le volume est élevé. Si vos oreilles sifflent ou si vous entendez des sons étouffés, arrêtez l'écoute et faites contrôler votre audition.

Pour éviter les blessures, portez des lunettes de protection, un équipement antibruit et un masque anti-poussière lorsque vous percez, coupez ou poncez.

AVIS

Lorsque vous percez ou coupez, commencez toujours par vérifier ce qui se trouve sur la face opposée de la surface de montage pour éviter d'endommager le bateau.

Lisez toutes les instructions d'installation avant de commencer l'installation. Si vous rencontrez des difficultés durant l'installation, rendez-vous sur le site support.garmin.com pour obtenir de l'aide sur le produit.

Emplacement de montage et résistance à l'eau

⚠ AVERTISSEMENT

La façade du haut-parleur est protégée contre les infiltrations d'eau. L'arrière du haut-parleur, y compris tous les composants et fils connectés, n'est pas étanche et doit être protégé contre l'humidité. Si l'arrière du haut-parleur est exposé à l'eau, les composants du haut-parleur risquent de dysfonctionner et de provoquer un incendie pouvant entraîner des dommages matériels et des blessures graves, voire mortelles.

AVIS

Si vous installez le haut-parleur dans un endroit exposé au mauvais temps ou à l'eau, installez-le sur une surface verticale. Si vous installez le haut-parleur à l'horizontale, face vers le haut, l'eau peut stagner autour du haut-parleur et causer des dommages.

Si vous envisagez de monter les haut-parleurs à l'extérieur du bateau, vous devez les installer à un emplacement situé bien au-dessus de la ligne de flottaison afin d'éviter qu'ils ne soient immergés ou endommagés par les quais, les pilotis et autres installations. Quand ils sont installés correctement, ces haut-parleurs offrent une protection en façade. Tout contact avec l'eau et tout endommagement à l'arrière des haut-parleurs entraînent l'annulation de la garantie. Cela inclut les cas d'installation des haut-parleurs dans un caisson clos, surtout si ce dernier est exposé aux projections d'eau. Si vous utilisez un caisson doté d'une ouverture ou d'une grille au contact de l'environnement extérieur, de l'eau risque de s'infiltrer et d'endommager les haut-parleurs.

Vous devez éteindre le système audio avant de procéder à tout branchement à l'appareil source, à l'amplificateur ou au haut-parleur. Dans le cas contraire, le système audio pourrait être endommagé de manière irréversible.

Protégez toutes les bornes et connexions contre les risques de court-circuit et isolez-les les unes des autres. Dans le cas contraire, le système audio pourrait être endommagé de manière irréversible et la garantie annulée.

Lorsque vous choisissez un emplacement de montage pour les haut-parleurs, tenez compte des considérations suivantes :

- Vous devez choisir un emplacement de montage qui protège l'arrière du haut-parleur contre l'humidité.
- Choisissez des emplacements de montage qui fournissent suffisamment d'espace pour la profondeur de montage des haut-parleurs, conformément aux caractéristiques du produit.
- Choisissez une surface de montage verticale plate pour une meilleure étanchéité.
- Il est conseillé de protéger les fils du haut-parleur contre tout objet tranchant et de toujours utiliser des passe-câbles lorsque vous faites passer les fils dans des tableaux.
- Pour éviter toute interférence avec un compas magnétique, montez les haut-parleurs en respectant la distance de sécurité indiquée dans les caractéristiques techniques du produit.

Le choix d'un emplacement d'installation approprié optimise les performances de chaque haut-parleur. Les haut-parleurs sont conçus pour fonctionner à peu près partout, mais la qualité de leur son dépend de l'installation.

Installation des fusibles pour LED

⚠ AVERTISSEMENT

Vous devez installer un fusible à fusion rapide en ligne sur le fil positif sur l'extrémité côté source d'alimentation du câble LED pour chaque haut-parleur afin de protéger les LED et le haut-parleur d'un courant électrique excessif. Si vous ne le faites pas, vous risquez de provoquer un incendie pouvant entraîner des dommages matériels et des blessures graves, voire mortelles.

- Le fusible doit être installé dans un porte-fusible destiné à un usage en milieu marin.
- Le fusible doit être installé sur le fil positif sur l'extrémité côté source d'alimentation du câble LED.
- Le fusible doit être installé de manière à pouvoir servir avec n'importe quelle source d'alimentation, y compris un contrôleur d'éclairage.
- Veillez à toujours utiliser un fusible de l'ampérage et du type appropriés pour votre modèle de haut-parleur.

Modèle de haut-parleur	Calibre des fusibles à fusion rapide
M3-650X OEM, et haut-parleurs et enceintes VeX à éclairage LED au détail	150 mA
M3-770X OEM, et haut-parleurs et enceintes ETXv3 à éclairage LED au détail	150 mA
M3-10IB OEM et subwoofers à éclairage LED au détail	150 mA
M6-650X OEM, et haut-parleurs et enceintes VeX à éclairage LED au détail	500 mA
M6-770X OEM, et haut-parleurs et enceintes ETXv3 à éclairage LED au détail	500 mA
M6-880X OEM, et haut-parleurs et enceintes ETXv3 à éclairage LED au détail	750 mA
M6-8IB OEM et subwoofers à éclairage LED au détail	750 mA
M6-10IB/W OEM et subwoofers à éclairage LED au détail	750 mA
M7-12IB OEM et subwoofers à éclairage LED au détail	750 mA

Connexion directe des fils des voyants LED à l'alimentation

REMARQUE : les voyants LED ne sont pas disponibles sur tous les modèles.

Vous devez connecter tous les fils 12 V c.c. des voyants LED sur un fusible au bout du câble de la source d'alimentation. Vous devez connecter le fil d'alimentation positif (+) à une source d'alimentation 12 V c.c. à l'aide d'un sectionneur ou d'un disjoncteur afin d'allumer et éteindre les voyants LED. Vous pouvez utiliser le même sectionneur ou disjoncteur que vous utilisez pour contrôler l'alimentation de votre chaîne stéréo, ce qui vous permet d'allumer et d'éteindre les voyants LED et la chaîne stéréo en même temps. Le fusible doit être installé entre le câble LED et le sectionneur ou le disjoncteur.

Vous devez utiliser un fil 20 AWG (de 0,5 à 0,75 mm²) ou plus épais pour connecter les LED à la batterie.

- 1 Acheminez le fil d'alimentation positif (+) et le fil de terre négatif (-) depuis les connecteurs des fils de voyants LED jusqu'à la batterie.
- 2 Connectez le fil négatif à la borne négative (-) de la batterie.
- 3 Connectez le fil positif à la borne positive (+) à l'aide d'un fusible adapté (*Installation des fusibles pour LED*, page 3) et d'un sectionneur ou d'un disjoncteur.

POSIZIONE DI MONTAGGIO E IMPERMEABILITÀ

Istruzioni

Informazioni importanti sulla sicurezza

⚠ ATTENZIONE

Questo dispositivo deve essere installato secondo le presenti istruzioni per evitare lesioni gravi a persone o possibili danni alla proprietà.

Scollare l'alimentazione dell'imbarcazione prima di iniziare l'installazione di questo dispositivo per evitare lesioni gravi a persone o possibili danni alla proprietà.

⚠ AVVERTENZA

Per prestazioni ottimali e per evitare lesioni gravi a persone o danni alla proprietà, è consigliata l'installazione del sistema audio da parte di un tecnico specializzato.

L'esposizione costante a livelli di pressione audio superiori a 100 dBA può causare perdita di udito permanente. Generalmente il volume è troppo alto se non si riescono a sentire le persone che parlano. Limitare la quantità di tempo in cui si utilizza il volume alto. Se si avvertono fischi alle orecchie o suoni ovattati, interrompere l'ascolto e far controllare l'udito.

Per evitare lesioni personali, indossare sempre i visori protettivi, le protezioni acustiche e una mascherina anti-polvere per trapanare, tagliare o carteggiare.

AVVISO

Prima di effettuare operazioni di trapanatura o taglio, verificare l'eventuale presenza di oggetti sul lato opposto della superficie da tagliare.

Leggere tutte le istruzioni di installazione prima di iniziare l'installazione. In caso di difficoltà durante l'installazione, visitare support.garmin.com per ottenere assistenza per il prodotto.

Posizione di montaggio e impermeabilità

⚠ ATTENZIONE

La parte anteriore dell'altoparlante è protetta dall'ingresso di acqua. La parte posteriore, inclusi tutti i componenti e i fili collegati, non è impermeabile e deve essere protetta dall'umidità. L'esposizione all'umidità del retro dell'altoparlante può causare guasti ai componenti, con conseguente rischio di incendi e danni materiali, lesioni personali gravi o mortali.

AVVISO

Se l'altoparlante viene installato all'esterno, è necessario montarlo su una superficie verticale. Se l'altoparlante viene montato su una superficie orizzontale rivolto verso l'alto, è possibile che l'acqua penetri al suo interno o si accumuli nell'area circostante, causando danni nel tempo.

Per installare gli altoparlanti al di fuori dell'imbarcazione, scegliere una posizione nettamente sopra la superficie dell'acqua, in modo tale che non vengano sommersi né danneggiati da pontili, piloni o altre strutture. Se montati correttamente, la parte anteriore degli altoparlanti ha un grado di protezione. L'esposizione all'acqua e i danni alla parte posteriore dell'altoparlante invalidano la garanzia. Ciò include l'installazione in un involucro, specialmente se esposto all'acqua. L'uso di un involucro con porta o ventola esposta all'esterno potrebbe permettere all'acqua di accumularsi e danneggiare l'altoparlante.

Il sistema audio deve essere spento prima di effettuare qualsiasi collegamento all'unità sorgente, all'amplificatore o all'altoparlante. In caso contrario potrebbero verificarsi danni permanenti al sistema audio.

Proteggere tutti i terminali e le connessioni da incagliamenti. In caso contrario potrebbero verificarsi danni permanenti al sistema audio che invalideranno la garanzia del prodotto.

Selezionare la posizione di montaggio degli altoparlanti tenendo presente quanto segue.

- È necessario selezionare una posizione di montaggio che protegge la parte posteriore dell'altoparlante dall'umidità.
- Le posizioni di installazione dell'altoparlante devono fornire ingombro sufficiente alla profondità di installazione degli altoparlanti, come indicato nelle specifiche del prodotto.
- Selezionare una superficie di installazione piatta e verticale per sigillare in modo ottimale.
- Proteggere i fili per altoparlanti da oggetti acuminati e utilizzare sempre occhiali di gomma per i cablaggi nei pannelli.
- Per evitare interferenze con una bussola magnetica, installare gli altoparlanti rispettando la distanza di sicurezza dalla bussola indicata nelle specifiche del prodotto.

Selezionare la posizione di montaggio corretta è fondamentale per ottimizzare le prestazioni di ciascun altoparlante. Gli altoparlanti sono progettati per funzionare nella gamma più ampia possibile di posizioni di installazione, tuttavia maggiore sarà la pianificazione dell'installazione, migliore sarà la qualità dell'audio emesso.

Installazione del fusibile LED

⚠ ATTENZIONE

È necessario installare un fusibile in linea rapida sul cavo positivo all'estremità della fonte di alimentazione del cavo LED per ciascun altoparlante, al fine di proteggere i LED e l'altoparlante da una corrente elettrica eccessiva. La mancata osservanza di tale avvertenza può causare danni alle proprietà, lesioni personali gravi o morte.

- Il fusibile deve essere installato in un portafusibili destinato all'uso in ambiente marino.
- Il fusibile deve essere installato sul cavo positivo all'estremità della fonte di alimentazione del cavo LED.
- Infine, il fusibile deve essere installato per l'uso con qualsiasi fonte di alimentazione, compresa una centralina di illuminazione.
- Utilizzare sempre un fusibile dell'ampereggio e del tipo corretti per il proprio modello di altoparlante.

Modello altoparlante	Classificazione del fusibile rapido
Altoparlanti OEM e per la vendita al dettaglio M3-650X e sistemi di altoparlanti chiusi VeX con illuminazione a LED	150 mA
Altoparlanti OEM e per la vendita al dettaglio M3-770X e sistemi di altoparlanti chiusi ETXv3 con illuminazione a LED	150 mA
Subwoofer OEM e per la vendita al dettaglio M3-10IB con illuminazione a LED	150 mA
Altoparlanti OEM e per la vendita al dettaglio M6-650X e sistemi di altoparlanti chiusi VeX con illuminazione a LED	500 mA
Altoparlanti OEM e per la vendita al dettaglio M6-770X e sistemi di altoparlanti chiusi ETXv3 con illuminazione a LED	500 mA
Altoparlanti OEM e per la vendita al dettaglio M6-880X e sistemi di altoparlanti chiusi ETXv3 con illuminazione a LED	750 mA
Subwoofer OEM e per la vendita al dettaglio M6-8IB con illuminazione a LED	750 mA
Subwoofer OEM e per la vendita al dettaglio M6-10IB/W con illuminazione a LED	750 mA
Subwoofer OEM e per la vendita al dettaglio M7-12IB con illuminazione a LED	750 mA

Collegamento diretto dei cavi LED all'alimentazione

NOTA: i LED non sono disponibili su tutti i modelli.

È necessario collegare tutti i cavi da 12 V CC dei LED a un fusibile all'estremità della fonte di alimentazione del cavo. Collegare il cavo di alimentazione positivo (+) a una fonte di alimentazione 12 V cc tramite un interruttore/sezionatore o un interruttore automatico per accendere e spegnere i LED. È possibile utilizzare lo stesso interruttore/sezionatore o interruttore automatico che controlla l'alimentazione dello stereo per accendere e spegnere contemporaneamente i LED e lo stereo. Il fusibile deve essere installato tra il cavo LED e l'interruttore di isolamento o l'interruttore di circuito.

Utilizzare un cavo almeno da 20 AWG (0,5-0,75 mm²) per collegare i fili dei LED alla batteria.

- 1 Passare i cavi di alimentazione positivi (+) e i cavi di terra negativi (-) dai collegamenti dei cavi LED alla batteria.
- 2 Collegare il cavo negativo al terminale negativo (-) della batteria.
- 3 Collegare il cavo positivo al terminale positivo (+) mediante un fusibile adeguato (*Installazione del fusibile LED*, pagina 4) e un interruttore/sezionatore o interruttore automatico.

MONTAGEORT UND WASSERBESTÄNDIGKEIT

Anweisungen

Wichtige Sicherheitsinformationen

⚠ WARNING

Dieses Gerät muss entsprechend den vorliegenden Anweisungen installiert werden, um schwere Verletzungen oder mögliche Sachschäden zu vermeiden.

Trennen Sie die Stromversorgung des Boots, bevor Sie mit der Installation dieses Geräts beginnen, um schwere Verletzungen oder mögliche Sachschäden zu vermeiden.

⚠️ ACHTUNG

Es wird dringend empfohlen, das Audiosystem von Fachpersonal installieren zu lassen, um eine optimale Leistung zu erzielen und Personen- oder Sachschäden zu vermeiden.

Wenn Sie fortwährend Schalldruckpegeln von mehr als 100 dBA ausgesetzt sind, können Sie Ihr Gehör dauerhaft schädigen. In der Regel ist die Lautstärke zu hoch eingestellt, wenn Sie Menschen, die sich in Ihrer Nähe unterhalten, nicht hören können. Begrenzen Sie in diesem Zusammenhang den Zeitraum, in dem Sie sich einer erhöhten Lautstärke aussetzen. Bei Klingelgeräuschen im Ohr oder der Wahrnehmung gedämpfter Töne sollten Sie das Anhören von Musik oder Ähnlichem einstellen und Ihr Gehör überprüfen lassen.

Tragen Sie zum Vermeiden möglicher Personenschäden beim Bohren, Schneiden und Schleifen immer Schutzbrille, Gehörschutz und eine Staubschutzmaske.

HINWEIS

Prüfen Sie beim Bohren oder Schneiden immer, was sich auf der anderen Seite der Oberfläche befindet, um Schäden am Boot zu vermeiden.

Lesen Sie die gesamten Installationsanweisungen, bevor Sie mit der Installation beginnen. Sollten bei der Installation Probleme auftreten, finden Sie unter support.garmin.com Supportinformationen zum Produkt.

Montageort und Wasserbeständigkeit

⚠️ WARNUNG

Die Vorderseite des Lautsprechers ist vor dem Eindringen von Wasser geschützt. Die Rückseite des Lautsprechers, einschließlich aller verbundenen Komponenten und Leitungen, ist nicht wasserdicht und muss vor Feuchtigkeitseinwirkungen geschützt werden. Feuchtigkeitseinwirkungen an der Rückseite des Lautsprechers können zu einem Versagen von Lautsprecherkomponenten führen, was wiederum zu einem Brand und dadurch zu Sachschäden sowie zu schweren oder tödlichen Personenschäden führen kann.

HINWEIS

Bei der Montage des Lautsprechers in einem Bereich, der den Elementen oder Wasser ausgesetzt ist, müssen Sie die Lautsprecher an einer vertikalen Fläche montieren. Wenn Sie den Lautsprecher nach oben ausgerichtet an einer horizontalen Fläche montieren, kann sich Wasser sowohl im Lautsprecher als auch darum sammeln, was langfristig zu Schäden führt.

Wenn Sie die Lautsprecher an der Außenseite des Boots montieren möchten, müssen sie an einem Ort weit genug über der Wasserlinie montiert werden, sodass sie nicht ins Wasser eintauchen und nicht durch Docks, Pfeiler oder andere Teile beschädigt werden. Bei ordnungsgemäßer Montage sind diese Lautsprecher für den Schutz auf der Vorderseite des Lautsprechers klassifiziert. Wenn die Rückseite des Lautsprechers Feuchtigkeit ausgesetzt wird oder sie beschädigt wird, führt dies zum Erlöschen der Garantie. Dies schließt auch Situationen ein, in denen die Lautsprecher in einem Gehäuse montiert sind, insbesondere, wenn sie abfließendem Wasser ausgesetzt sind. Bei Gehäusen mit einer Öffnung, die sich im Freien befindet, kann sich Wasser sammeln, was eine Beschädigung des Lautsprechers zur Folge haben kann.

Das Audiosystem muss ausgeschaltet sein, bevor Sie Verbindungen mit dem Quellgerät, dem Verstärker oder den Lautsprechern herstellen. Andernfalls könnte es zu dauerhaften Schäden am Audiosystem kommen.

Schützen Sie alle Anschlüsse und Verbindungen vor Erdung, und achten Sie darauf, dass sie sich nicht berühren. Andernfalls könnte das Audiosystem dauerhaft beschädigt werden und die Produktgarantie erlöschen.

Beachten Sie bei der Auswahl eines Montageorts für die Lautsprecher folgende Hinweise:

- Sie müssen einen Montageort wählen, an dem die Rückseite des Lautsprechers vor Feuchtigkeitseinwirkungen geschützt ist.
- Wählen Sie Montageorte, an denen ausreichend Freiraum für die in den technischen Daten des Produkts angegebene Montagetiefe der Lautsprecher vorhanden ist.
- Wählen Sie eine flache, vertikale Montagefläche, um eine optimale Dichtung zu erzielen.

- Halten Sie die Lautsprecherleitungen von scharfen Gegenständen fern, und verwenden Sie beim Verlegen der Kabel durch Konsolen stets Gummitüllen.
- Damit es nicht zu Interferenzen mit Magnetkompassen kommt, muss bei der Montage der Lautsprecher der in den technischen Daten zum Produkt aufgeführte Sicherheitsabstand zum Kompass eingehalten werden.

Die Auswahl des richtigen Montageorts sorgt für eine optimale Leistung der einzelnen Lautsprecher. Die Lautsprecher wurden so entwickelt, dass sie an möglichst vielen Montageorten montiert werden können. Je besser Sie die Installation aber planen, desto besser wird der Klang der Lautsprecher sein.

Installation der LED-Sicherung

⚠️ WARNUNG

Sie müssen eine leitungsinterne, flinke Sicherung an der positiven Leitung am Ende des LED-Kabels installieren, das zur Stromversorgung führt. Dies gilt für jeden Lautsprecher. Auf diese Weise werden die LEDs und der Lautsprecher vor Überstrom geschützt. Falls keine Sicherung installiert wird, könnte es zu einem Brand und dadurch zu Sachschäden sowie zu schweren oder tödlichen Personenschäden kommen.

- Die Sicherung muss in einem Sicherungshalter für die maritime Anwendung installiert werden.
- Die Sicherung muss an der positiven Leitung an dem Ende des LED-Kabels installiert werden, das zur Stromversorgung führt.
- Die Sicherung muss für die Verwendung mit einer beliebigen Stromversorgung installiert werden, einschließlich einer Beleuchtungssteuerung.
- Verwenden Sie stets eine Sicherung der richtigen Stromstärke und des richtigen Typs für Ihr Lautsprechermodell.

Lautsprechermodell	Wert der flinken Sicherung
M3-650X Lautsprecher für OEMs und Einzelhandel sowie VeX-Lautsprechersysteme mit Gehäuse und LED-Beleuchtung	150 mA
M3-770X Lautsprecher für OEMs und Einzelhandel sowie ETXv3-Lautsprechersysteme mit Gehäuse und LED-Beleuchtung	150 mA
M3-10IB Subwoofer für OEMs und Einzelhandel mit LED-Beleuchtung	150 mA
M6-650X Lautsprecher für OEMs und Einzelhandel sowie VeX-Lautsprechersysteme mit Gehäuse und LED-Beleuchtung	500 mA
M6-770X Lautsprecher für OEMs und Einzelhandel sowie ETXv3-Lautsprechersysteme mit Gehäuse und LED-Beleuchtung	500 mA
M6-880X Lautsprecher für OEMs und Einzelhandel sowie ETXv3-Lautsprechersysteme mit Gehäuse und LED-Beleuchtung	750 mA
M6-8IB Subwoofer für OEMs und Einzelhandel mit LED-Beleuchtung	750 mA
M6-10IB/W Subwoofer für OEMs und Einzelhandel mit LED-Beleuchtung	750 mA
M7-12IB Subwoofer für OEMs und Einzelhandel mit LED-Beleuchtung	750 mA

Verbinden der LED-Leitungen direkt mit der Stromversorgung

HINWEIS: LEDs sind nicht auf allen Modellen verfügbar.

Sie müssen alle 12-V-Gleichspannungskabel für die LEDs mit einer Sicherung am Kabelende zur Stromversorgung verbinden. Verbinden Sie die positive Stromleitung (+) über einen Trennschalter oder Unterbrecher mit einer 12-V-Gleichspannungsquelle, um die LEDs ein- und auszuschalten. Sie können denselben Trennschalter oder Unterbrecher verwenden, der die Stromversorgung zum Radio regelt. So lassen sich die LEDs und das Radio gleichzeitig ein- und ausschalten. Die Sicherung muss zwischen dem LED-Kabel und dem Trennschalter oder Unterbrecher installiert werden.

Verwenden Sie Leitungen mit einer Stärke von mindestens 0,5 bis 0,75 mm² (AWG 20), um die LEDs mit der Batterie zu verbinden.

- 1 Führen Sie die positive Stromleitung (+) und die negative Masseleitung (-) von den LED-Leitungen zur Batterie.
- 2 Verbinden Sie die negative Leitung mit dem Minuspol (-) der Batterie.
- 3 Verbinden Sie die positive Leitung über die geeignete Sicherung (*Installation der LED-Sicherung*, Seite 5) und einen Trennschalter oder Unterbrecher mit dem Pluspol (+).

UBICACIÓN DE MONTAJE Y RESISTENCIA AL AGUA

Instrucciones

Información importante sobre seguridad

⚠️ ADVERTENCIA

Este dispositivo debe instalarse de acuerdo con estas instrucciones para evitar lesiones personales graves o posibles daños materiales.

Desconecta la fuente de alimentación de la embarcación antes de comenzar la instalación de este dispositivo para evitar lesiones personales graves o posibles daños materiales.

⚠️ ATENCIÓN

Se recomienda encarecidamente que un técnico profesional instale el sistema de audio para garantizar un rendimiento óptimo y evitar lesiones personales o daños materiales.

La exposición constante a niveles de presión acústica superiores a los 100 dBA puede provocar la pérdida permanente de la audición. Si no puedes escuchar a la gente que te rodea, es probable que el volumen sea demasiado alto. Limita la cantidad de tiempo que escuchas el dispositivo con un volumen elevado. Si notas pitidos en el oído o escuchas las voces apagadas, deja de escuchar el dispositivo y acude a tu médico.

Para evitar posibles lesiones personales, utiliza siempre gafas de seguridad, un protector de oídos y una máscara antipolvo cuando vayas a realizar orificios, cortes o lijados.

AVISO

Al realizar orificios o cortes, el usuario deberá comprobar siempre lo que hay al otro lado de la superficie para evitar daños en la embarcación.

Debes leer todas las instrucciones de instalación antes de proceder. Si tienes dificultades durante la instalación, visita support.garmin.com para obtener asistencia técnica.

Ubicación de montaje y resistencia al agua

⚠️ ADVERTENCIA

La parte frontal del altavoz está protegida contra la entrada de agua. La parte posterior del altavoz, incluidos todos los componentes y cables conectados, no es resistente al agua y se debe proteger de la exposición a la humedad. La exposición a la humedad en la parte posterior del altavoz puede provocar un fallo de los componentes, lo que podría desencadenar en un incendio y causar daños materiales, lesiones personales graves o incluso la muerte.

AVISO

Si se monta el altavoz en una zona expuesta a la intemperie o al agua, debe montarse sobre una superficie vertical. Si se monta el altavoz sobre una superficie horizontal hacia arriba, puede acumularse agua en el interior y alrededor del altavoz, lo que provocará daños a lo largo del tiempo.

Si vas a instalar los altavoces en el exterior de la embarcación, deberás hacerlo en una ubicación considerablemente superior al nivel del agua, de forma que no queden sumergidos ni resulten dañados por los efectos de muelles, pilotes u otras instalaciones. Cuando están montados correctamente, estos altavoces cuentan con protección en la parte frontal del altavoz. En caso de que la parte posterior del altavoz entre en contacto con el agua y resulte dañada, se anulará la garantía. Esta situación se puede dar si los altavoces están instalados en una caja, especialmente si están expuestos a la erosión del agua. El uso de una caja con puerto o ventilación, expuesta a elementos externos, puede provocar que se acumule agua y que se dañe el altavoz.

El sistema de audio debe apagarse antes de realizar cualquier conexión con la unidad de origen, el amplificador o los altavoces. De lo contrario, el sistema de audio podría dañarse de forma permanente.

Debes proteger todos los terminales y conexiones frente a cortocircuitos y evitar que entren en contacto entre ellos. De lo contrario, el sistema de audio podría dañarse de forma permanente y la garantía del producto se anularía.

Ten en cuenta las siguientes especificaciones cuando vayas a seleccionar la ubicación de montaje de los altavoces:

- Debes seleccionar una ubicación de montaje en la que la parte posterior del altavoz quede protegida de la exposición a la humedad.

- Los altavoces deben instalarse en una ubicación con suficiente espacio, en función de la profundidad de montaje de los altavoces que se indica en las especificaciones del producto.
- Debes seleccionar una superficie de montaje vertical y plana para que el espacio sea lo más hermético posible.
- Debes mantener los cables de los altavoces lejos de objetos afilados y utilizar siempre arandelas de goma al pasar los cables a través de los paneles.
- Para evitar interferencias con un compás magnético, los altavoces no deben instalarse a una distancia menor del compás que la distancia de seguridad mínima indicada en las especificaciones del producto.

La elección de la ubicación de montaje correcta optimiza el rendimiento de los altavoces. Los altavoces están diseñados para ofrecer el mejor rendimiento en el mayor número posible de superficies de montaje. No obstante, cuanto mejor planifiques la instalación, mayor será la calidad de sonido de los altavoces.

Instalación del fusible del LED

⚠️ ADVERTENCIA

Debes instalar un fusible rápido en línea en el cable positivo del extremo de la fuente de alimentación del cable LED de cada altavoz para proteger los LED y el altavoz de corrientes eléctricas excesivas. Si no lo haces, se podría producir un incendio que podría provocar daños materiales, lesiones graves o incluso la muerte.

- El fusible se debe instalar en un portafusibles diseñado para uso náutico.
- El fusible se debe instalar en el cable positivo del extremo de la fuente de alimentación del cable LED.
- El fusible se debe instalar para poder usarlo con cualquier fuente de alimentación, como un controlador de iluminación.
- Utiliza siempre un fusible de un amperaje y un tipo compatibles con tu modelo de altavoz.

Modelo de altavoz	Valor del fusible rápido
Altavoces originales y convencionales M3-650X y sistemas de altavoces cerrados VeX con iluminación LED	150 mA
Altavoces originales y convencionales M3-770X y sistemas de altavoces cerrados ETXv3 con iluminación LED	150 mA
Subwoofers originales y convencionales M3-10IB con iluminación LED	150 mA
Altavoces originales y convencionales M6-650X y sistemas de altavoces cerrados VeX con iluminación LED	500 mA
Altavoces originales y convencionales M6-770X y sistemas de altavoces cerrados ETXv3 con iluminación LED	500 mA
Altavoces originales y convencionales M6-880X y sistemas de altavoces cerrados ETXv3 con iluminación LED	750 mA
Subwoofers originales y convencionales M6-8IB con iluminación LED	750 mA
Subwoofers originales y convencionales M6-10IB/W con iluminación LED	750 mA
Subwoofers originales y convencionales M7-12IB con iluminación LED	750 mA

Conexión de los cables LED directamente a la alimentación

NOTA: los LED no están disponibles en todos los modelos.

Debes conectar todos los cables de 12 V de CC de los LED mediante un fusible en el extremo de la fuente de alimentación del cable. Debes conectar el cable de alimentación positivo (+) a una fuente de alimentación de 12 V de CC mediante un interruptor de aislamiento o un disyuntor para que los LED se enciendan y se apaguen. Puedes utilizar el mismo interruptor de aislamiento o disyuntor para controlar el suministro de alimentación al sistema estéreo, lo que permitirá que los LED y el sistema estéreo se enciendan y apaguen a la vez. El fusible se debe instalar entre el cable LED y el interruptor de aislamiento o disyuntor.

Es recomendable utilizar un cable de 20 AWG (0,5 a 0,75 mm²) o de grosor superior para conectar los LED a la batería.

- 1 Dirige el cable de alimentación positivo (+) y cable de tierra negativo (-) de las conexiones de cables de LED a la batería.

- 2 Conecta el cable negro al terminal negativo (-) de la batería.
- 3 Conecta el cable positivo al terminal positivo (+) mediante un fusible (*Instalación del fusible del LED*, página 6) y un interruptor de aislamiento o disyuntor.

© 2025 Garmin Ltd. or its subsidiaries

Garmin® and the Garmin logo are trademarks of Garmin Ltd. or its subsidiaries, registered in the USA and other countries. These trademarks may not be used without the express permission of Garmin.

