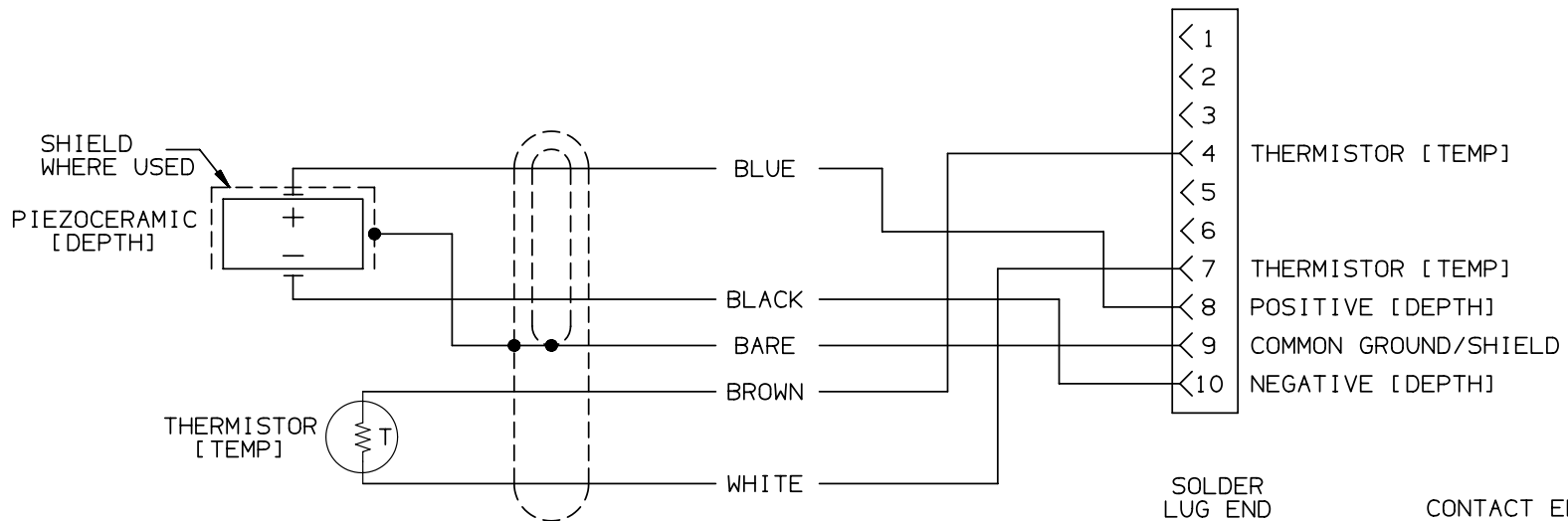
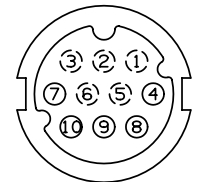
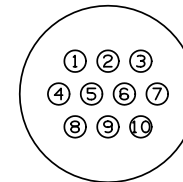


THIRD ANGLE PROJECTION		REVISIONS			
REV	DESCRIPTION	ECC NO	DATE	CHG/CHK	
01	RELEASE TO PRODUCTION.	07E0421	07/26/07	ALB/FSC	



SOLDER LUG END

CONTACT END



5/10 PIN FEMALE CONNECTOR

UNLESS OTHERWISE SPECIFIED DIMENSIONS ARE IN INCHES TOLERANCES ON 2 PL DECIMALS ±0.02 3 PL DECIMALS ±0.005 ANGLES ± 1/2° FRACTIONS ± 1/32 SURFACE FINISH $\sqrt{250}$	SIGNATURE		DATE	AIRMAR AIRMAR TECHNOLOGY CORPORATION 35 HEADSBROOK DR MILFORD NH 03055-4613 USA TEL: 603-673-9570 FAX: 603-673-4624
	DRAWN A. BIATHROW		12/04/06	
	CHECKED J. JEFFERS		12/05/06	
	CHECKED W. SERMATKA		12/05/06	
MATERIAL				TITLE
AIRMAR CABLE #06-047 AIRMAR CONNECTOR #05-111-5				WIRING, DEPTH/TEMP, C47 SINGLE PIEZOCERAMIC, 50/200kHz 5/10 PIN FEMALE CONNECTOR
SIZE		SCALE: NONE	NUMBER	
B		SHEET 1 OF 1	91-837 REV 01	