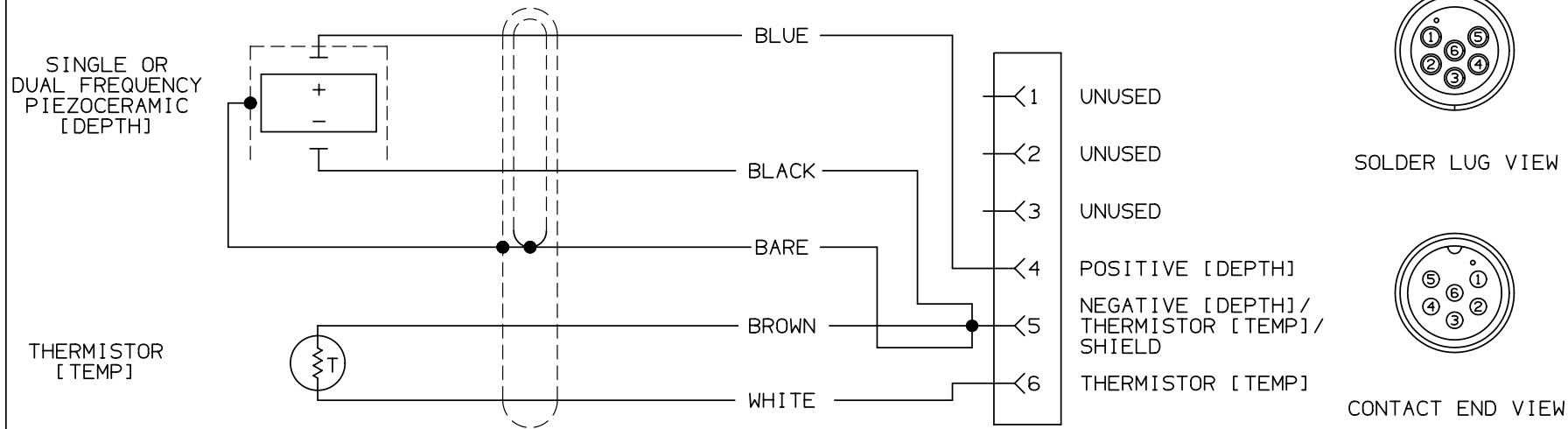


THIRD ANGLE PROJECTION		REVISIONS			
REV	DESCRIPTION	ECO NO	DATE	CHG/CHK	
01	RELEASE TO PRODUCTION.	07E0471	08/29/07	ALB/FSC	



NOTE :

1. GREEN AND RED WIRES ARE NOT USED AND CUT OFF ON BOTH ENDS.

UNLESS OTHERWISE SPECIFIED DIMENSIONS ARE IN INCHES TOLERANCES ON 2 PL DECIMALS ±0.02 3 PL DECIMALS ±0.005 ANGLES ± 1/2° FRACTIONS ± 1/32 SURFACE FINISH $\sqrt{63}$	SIGNATURE	DATE	AIRMAR AIRMAR TECHNOLOGY CORPORATION 35 HEADSBROOK DR MILFORD NH 03055-4613 USA TEL: 603-673-9570 FAX: 603-673-4624
	DRAWN A. BIATHROW	12/06/06	
	CHECKED J. JEFFERS	12/27/06	
MATERIAL	AIRMAR CABLE #06-047 AIRMAR CONNECTOR #05-367-01		TITLE WIRING DEPTH/TEMP C47 6F-A [GARMIN]
SIZE B SCALE: NONE SHEET 1 OF 1		NUMBER 91-840 REV 01	