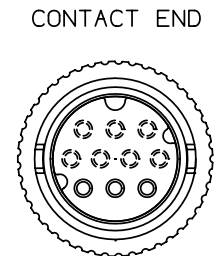
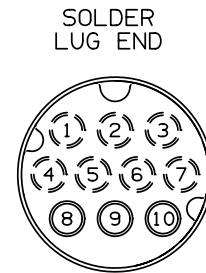
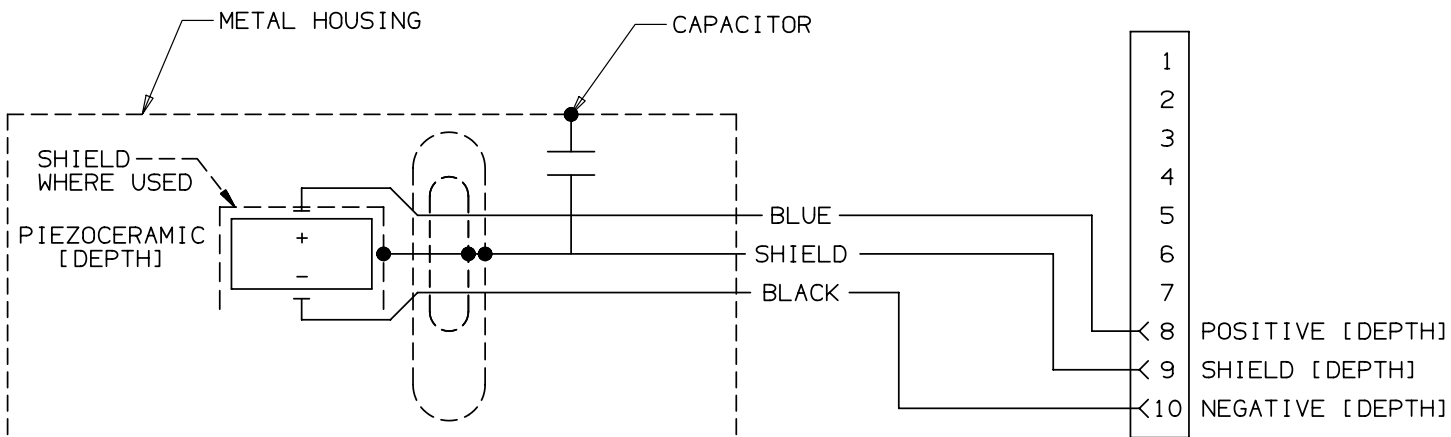


THIRD ANGLE PROJECTION		REVISIONS			
REV	DESCRIPTION	ECO NO	DATE	CHG/CHK	
01	RELEASE TO PRODUCTION.	08E0146	03/21/08	ALB/FSC	



3/10 PIN FEMALE
FURUNO [DEPTH]

NOTE: GREEN, RED, BROWN AND WHITE WIRES
ARE CUT OFF AT BOTH ENDS.

UNLESS OTHERWISE SPECIFIED	SIGNATURE	DATE	AIRMAR AIRMAR TECHNOLOGY CORPORATION 35 HEADSBROOK DR MILFORD NH 03055-4613 USA TEL: 603-673-9570 FAX: 603-673-4624
DIMENSIONS ARE IN INCHES	DRAWN A. BIATHROW	12/12/06	
TOLERANCES ON	CHECKED J. JEFFERS	12/27/06	
2 PL DECIMALS ±.02	CHECKED W. SERMATKA	12/27/06	
3 PL DECIMALS ±.005			TITLE
ANGLES ± 1/2°			WIRING, DEPTH.C47
FRACTIONS ± 1/32			3/10 PIN FEMALE CONNECTOR
MIN. SURFACE FINISH 250			
MATERIAL	AIRMAR CABLE #06-001.#06-047 AIRMAR CONNECTOR #05-111-3		SIZE
			SCALE: FULL
			NUMBER
			81-844 REV 01
			SHEET 1 OF 1