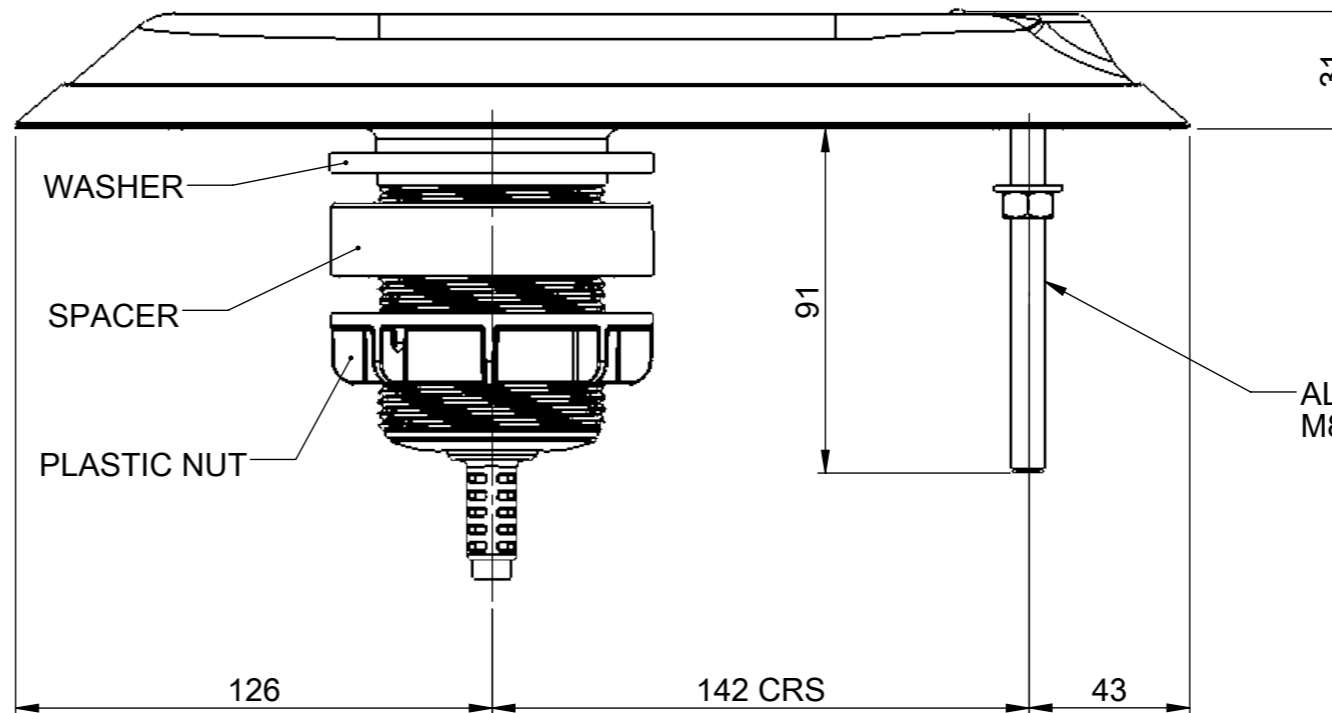
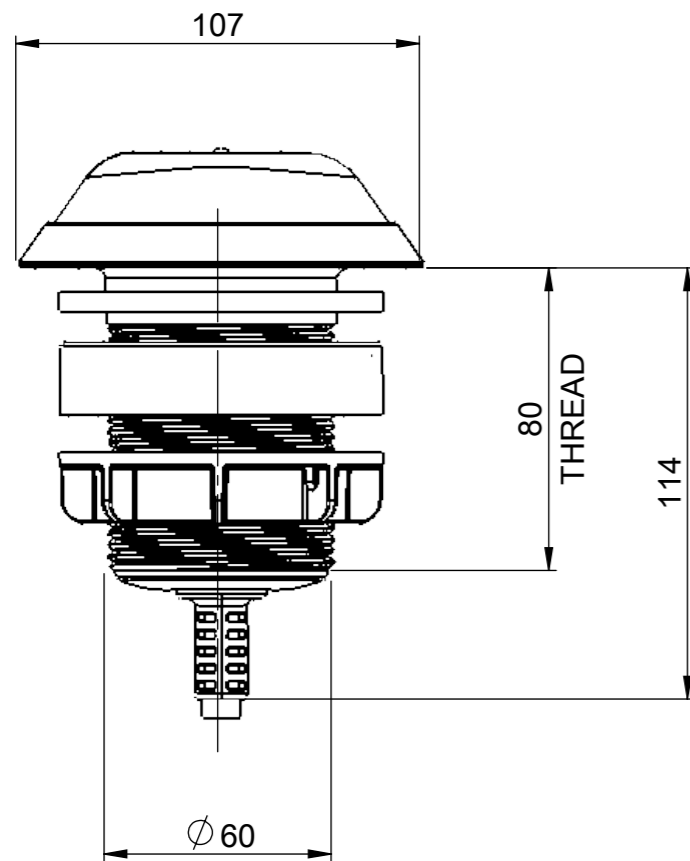
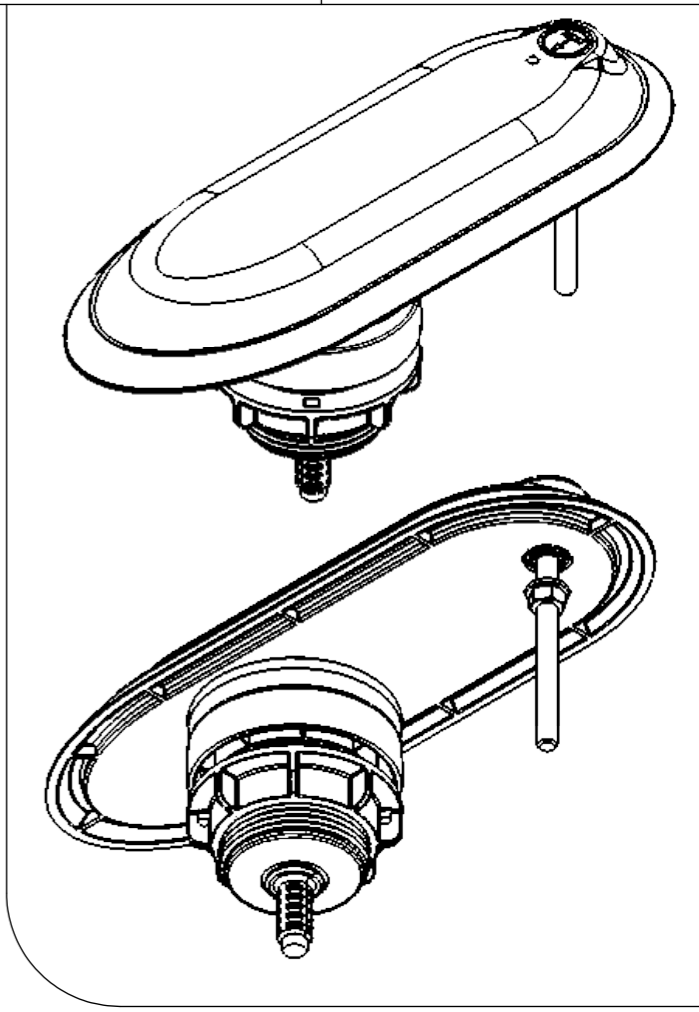
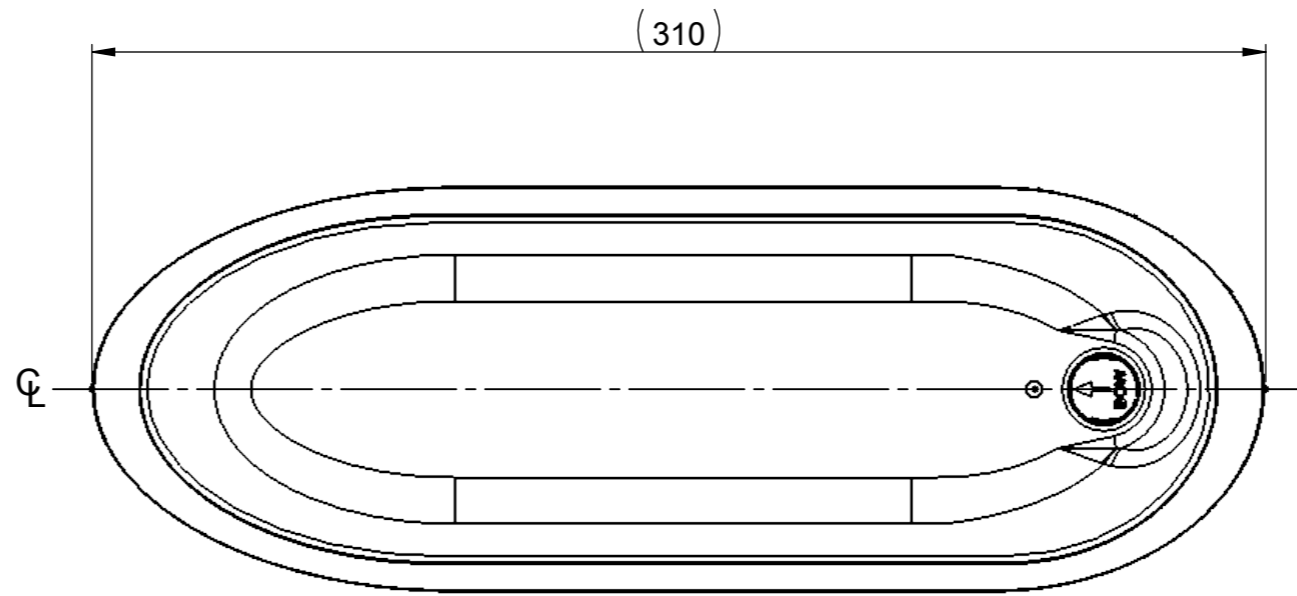
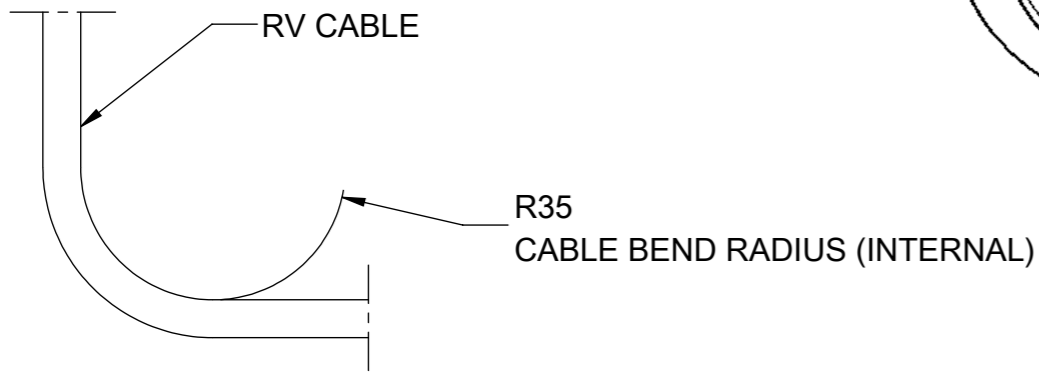


NOTES:

- 1) FOR INFORMATION ON CONNECTIONS AND PRODUCT SPECIFICATIONS, PLEASE REFER TO HANDBOOK, PRODUCT SUPPORT AND WORKSHOP MANUALS.
- 2) FOR ANY DIMENSIONAL INFORMATION NOT INCLUDED PLEASE CONTACT YOUR SALES REPRESENTATIVE.
- 3) DIMENSIONS SHOWN ARE ACTUAL PRODUCT SIZE AND DO NOT INCLUDE ANY CLEARANCE DATA.



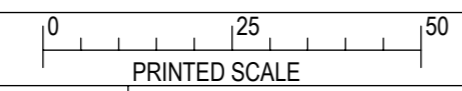
ALIGNMENT FIXING FASTENER:  
M8 x 100mm HEX HEAD SCREW SS 316 A4

NOTE:  
DRAWING SUITABLE FOR THE FOLLOWING RV TRANSDUCERS:  
RV-312P PLASTIC TH 12° PORT  
RV-312S PLASTIC TH 12° STARBOARD  
RV-320P PLASTIC TH 20° PORT  
RV-320S PLASTIC TH 20° STARBOARD

**Raymarine**  
A FLIR COMPANY

THE INFORMATION CONTAINED HEREIN SHALL NOT BE REPRODUCED WITHOUT THE PRIOR WRITTEN PERMISSION OF RAYMARINE LTD

© 2011 RAYMARINE LTD



DRAWN TO BS308 DO NOT SCALE - IF IN DOUBT ASK

DRN:	N.B	DATE: 25/01/17
DIMENSIONS IN MM		SCALE: 1:2

TITLE	RV-300 PLASTIC TH 0 DEG
DRAWING No.	TD_RV-300_TH_0