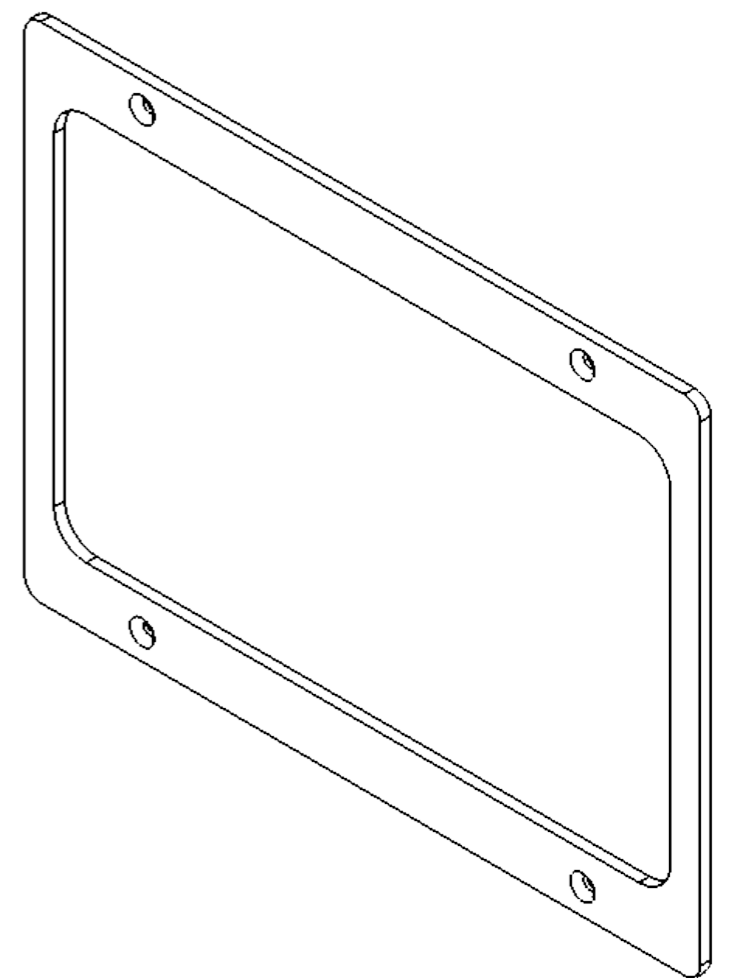
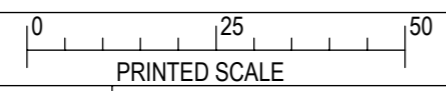


DETAIL B
SCALE 2 : 1

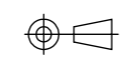


THE INFORMATION CONTAINED HEREIN SHALL NOT BE REPRODUCED WITHOUT THE PRIOR WRITTEN PERMISSION OF RAYMARINE LTD

NOTE:
 1. TO BE PRODUCED FROM A MATERIAL THAT IS SUITABLE FOR USE IN A MARINE ENVIRONMENT.



DRAWN TO BS308



DO NOT SCALE - IF IN DOUBT ASK

DRN:	R.S	DATE: 09/02/17
DIMENSIONS IN MM		SCALE: 1:2

TITLE
C70_Axiom 9 Adapter Plate

DRAWING No.
AP_C70_AX9

© 2011 RAYMARINE LTD