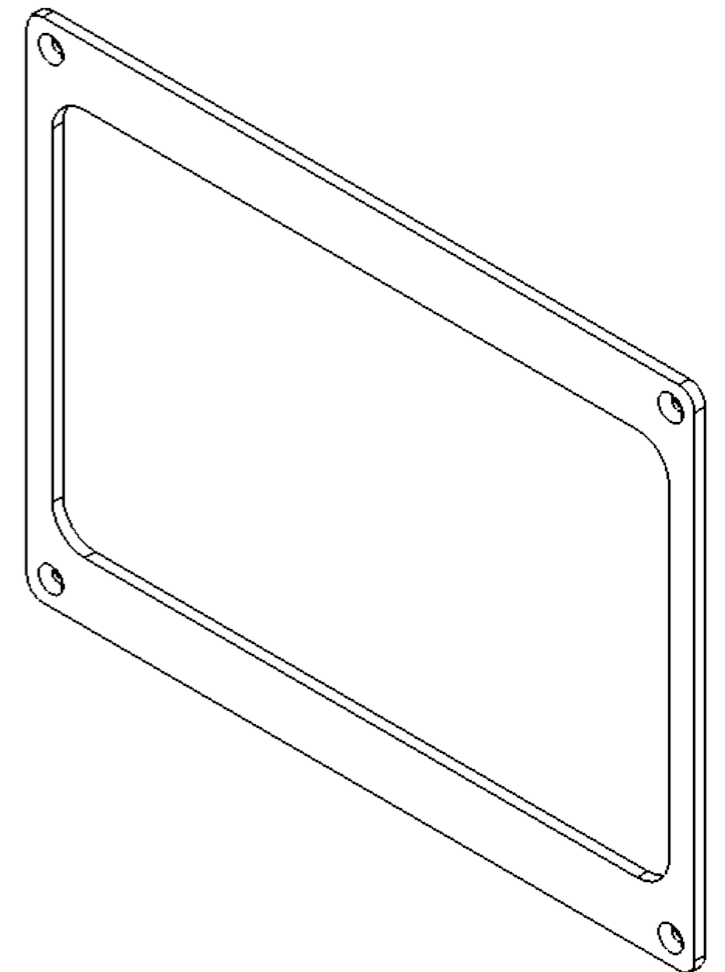


DETAIL B  
SCALE 2 : 1

SECTION A-A

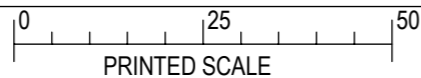


NOTE:  
1. TO BE PRODUCED FROM A MATERIAL THAT IS SUITABLE FOR USE IN A MARINE ENVIRONMENT.

**Raymarine**  
A FLIR COMPANY

THE INFORMATION CONTAINED HEREIN SHALL NOT BE REPRODUCED WITHOUT THE PRIOR WRITTEN PERMISSION OF RAYMARINE LTD

© 2011 RAYMARINE LTD



DRAWN TO BS308



DO NOT SCALE - IF IN DOUBT ASK

DRN:	R.S	DATE: 21/11/16
DIMENSIONS IN MM		SCALE: 1:2

TITLE  
**A9 Axiom 9 Adapter Plate**  
DRAWING No. **AP\_A9\_AX9**