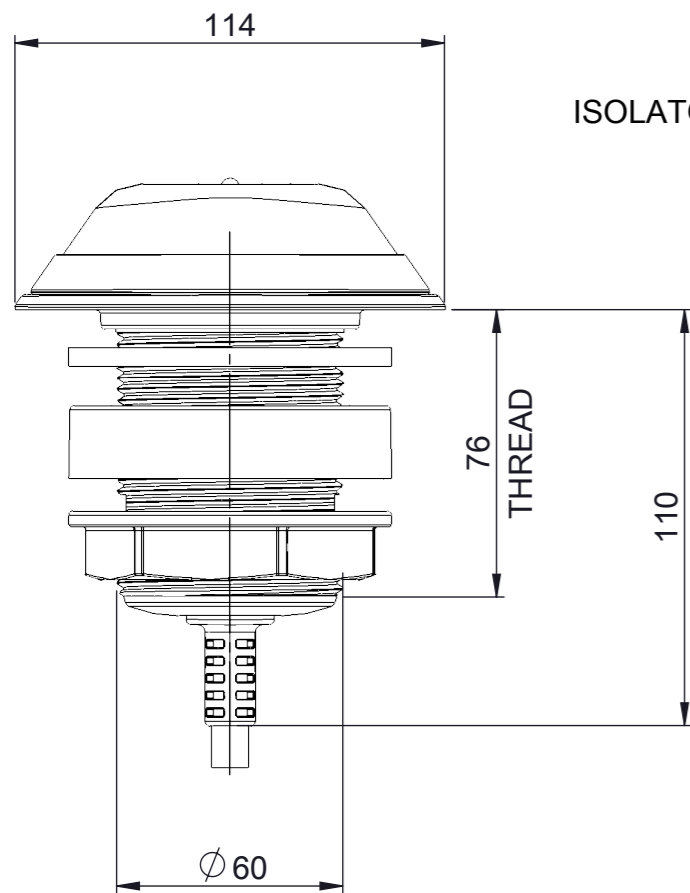
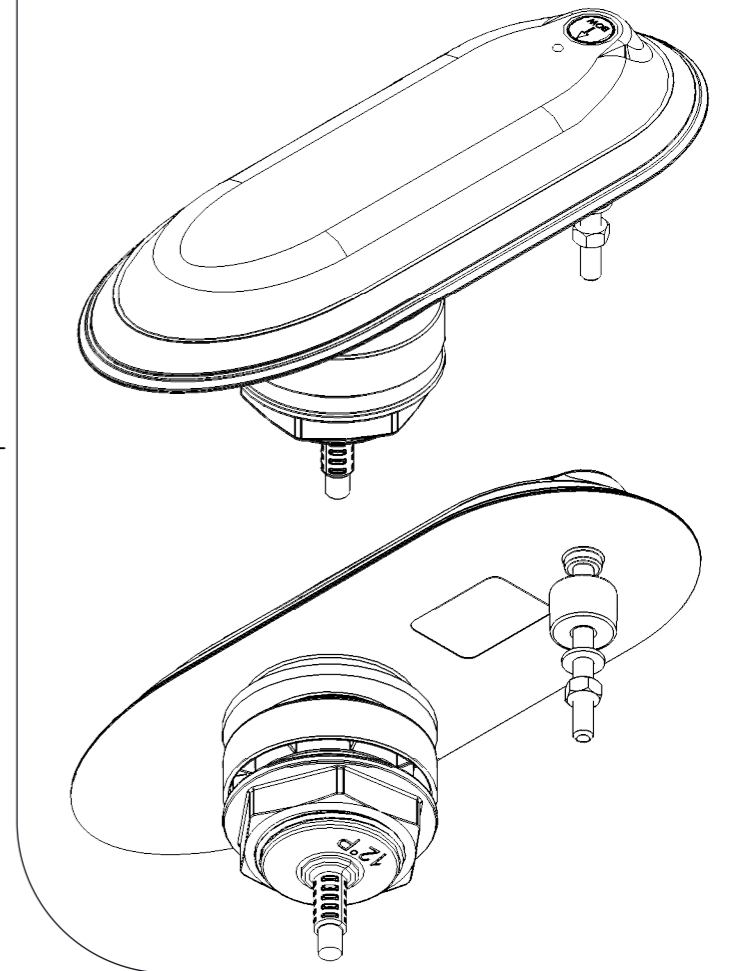
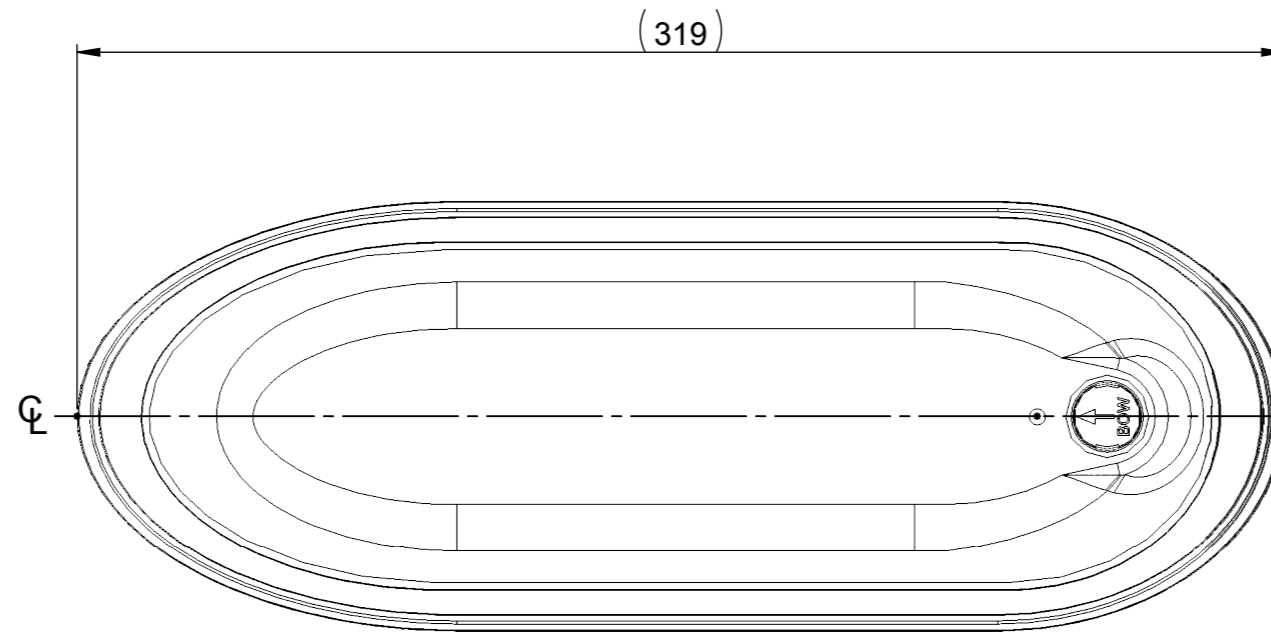
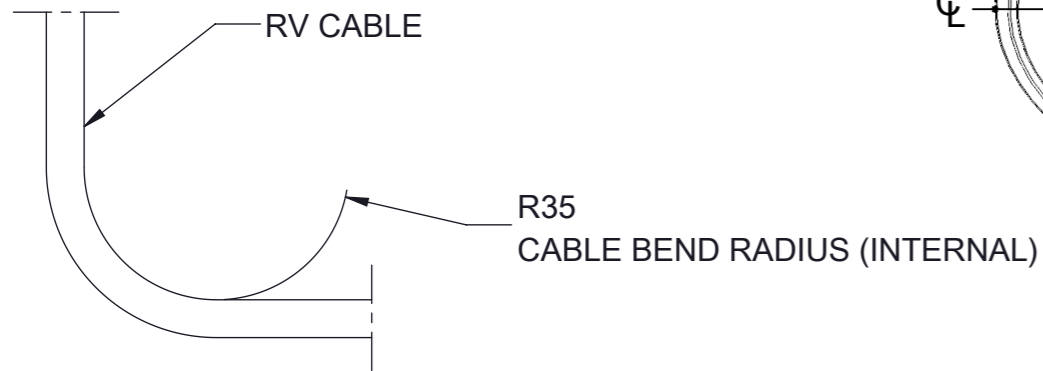
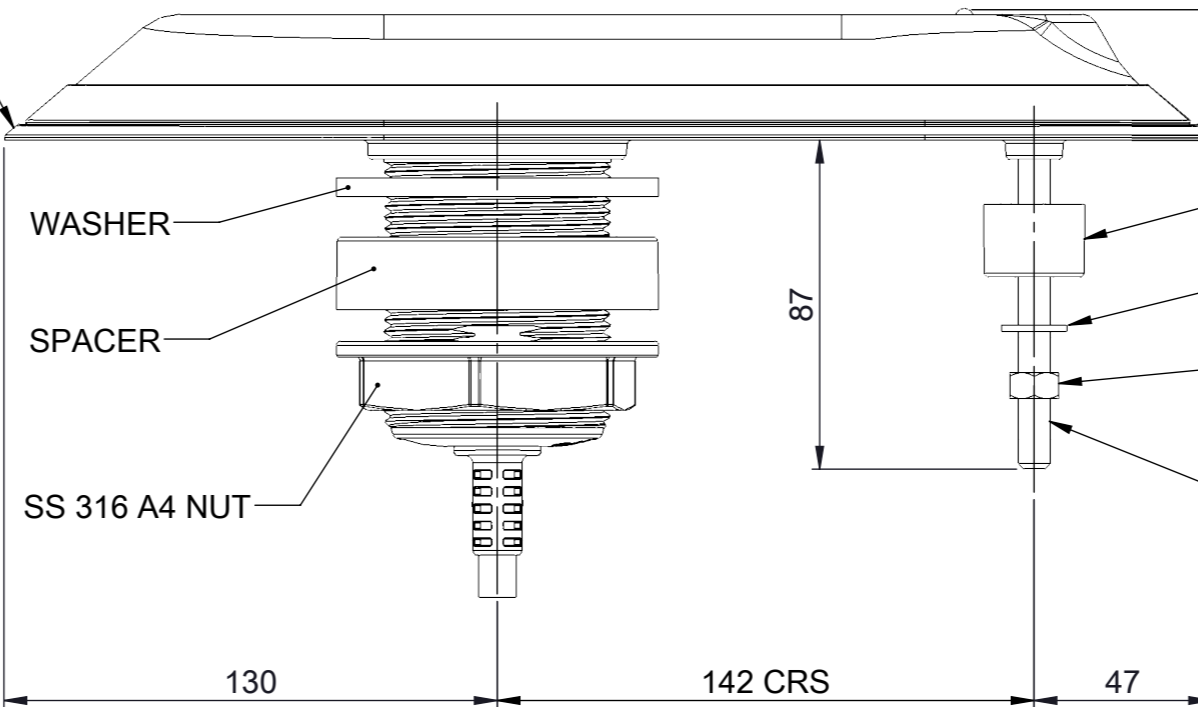


NOTES:

- 1) FOR INFORMATION ON CONNECTIONS AND PRODUCT SPECIFICATIONS, PLEASE REFER TO HANDBOOK, PRODUCT SUPPORT AND WORKSHOP MANUALS.
- 2) FOR ANY DIMENSIONAL INFORMATION NOT INCLUDED PLEASE CONTACT YOUR SALES REPRESENTATIVE.
- 3) DIMENSIONS SHOWN ARE ACTUAL PRODUCT SIZE AND DO NOT INCLUDE ANY CLEARANCE DATA.



ISOLATOR PLATE



- ISOLATOR BUSH
- SS 316 A4 WASHER
- SS 316 A4 NUT
- ALIGNMENT FIXING FASTENER:
M8 x 100mm HEX HEAD SCREW SS 316 A4

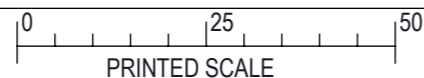
NOTE:
DRAWING SUITABLE FOR THE FOLLOWING RV TRANSDUCERS:

- RV-412P SS TH 12° PORT
- RV-412S SS TH 12° STARBOARD
- RV-420P SS TH 20° PORT
- RV-420S SS TH 20° STARBOARD

Raymarine
A FLIR COMPANY

THE INFORMATION CONTAINED HEREIN SHALL NOT BE REPRODUCED WITHOUT THE PRIOR WRITTEN PERMISSION OF RAYMARINE LTD

© 2011 RAYMARINE LTD



DRAWN TO BS308



DO NOT SCALE - IF IN DOUBT ASK

DRN:

DIMENSIONS IN MM

DATE:

SCALE: 1:2

TITLE RV-400 SS TH 0 DEG

DRAWING No. TD_RV-400_TH_0