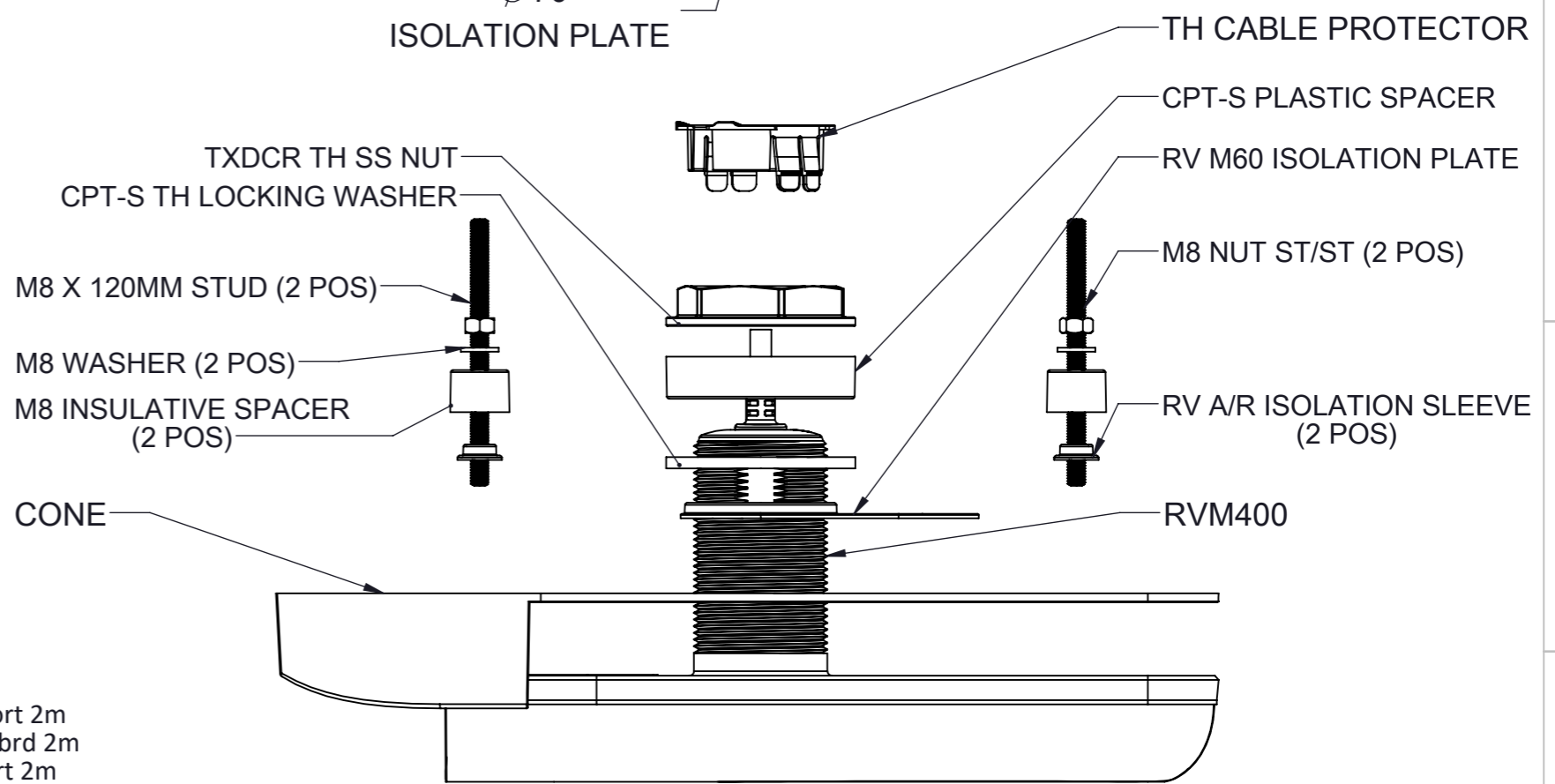
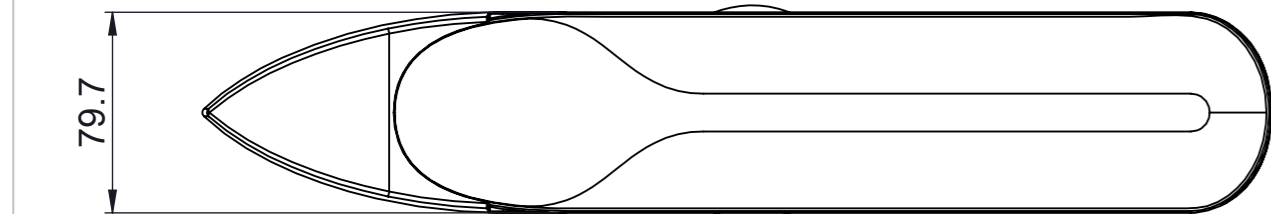
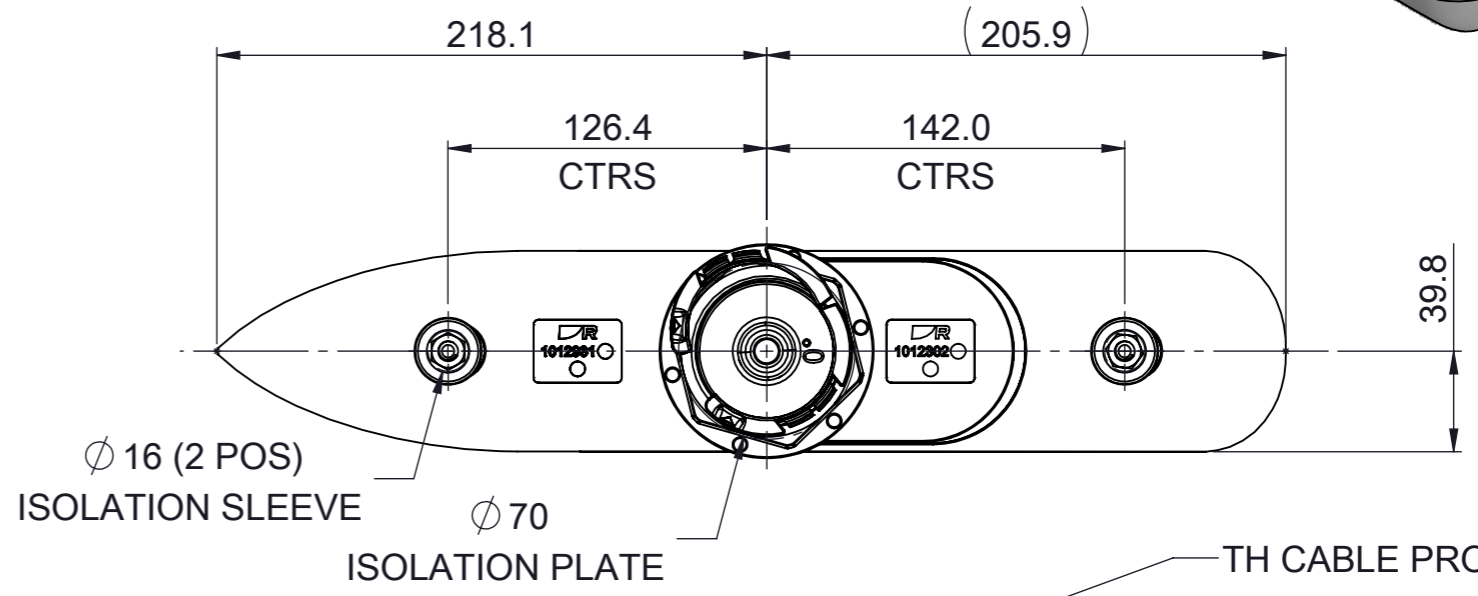
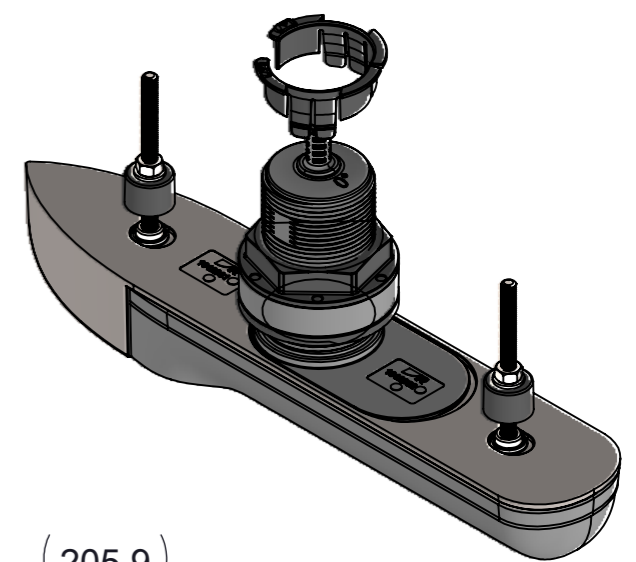
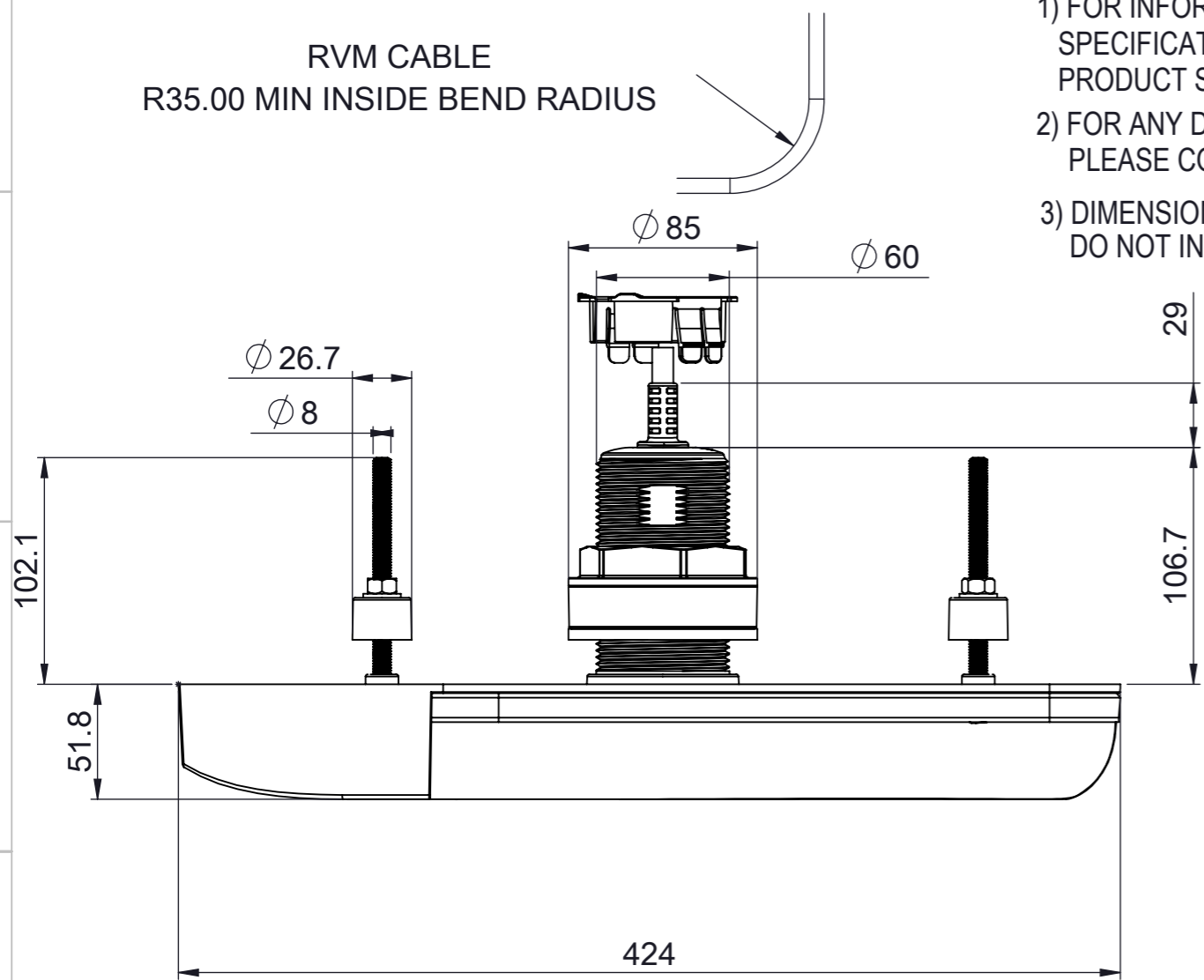


8 7 6 5 4 3 2 1

NOTES:
 1) FOR INFORMATION ON CONNECTIONS AND PRODUCT SPECIFICATIONS, PLEASE REFER TO HANDBOOK, PRODUCT SUPPORT AND WORKSHOP MANUALS.
 2) FOR ANY DIMENSIONAL INFORMATION NOT INCLUDED PLEASE CONTACT YOUR SALES REPRESENTATIVE.
 3) DIMENSIONS SHOWN ARE ACTUAL PRODUCT SIZE AND DO NOT INCLUDE ANY CLEARANCE DATA.

RVM CABLE
 R35.00 MIN INSIDE BEND RADIUS

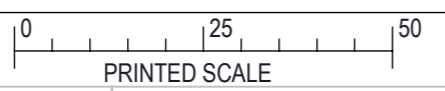


Sales drawing is applicable to the following models
 A80704 RVM-400 Stainless Steel TH 0° 8m
 A80705 RVM-412 Stainless Steel TH 12° Port 2m
 A80706 RVM-412 Stainless Steel TH 12 Strbrd 2m
 A80707 RVM-420 Stainless Steel TH 20 Port 2m
 A80708 RVM-420 Stainless Steel TH 20 Strbrd 2m

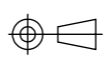
Raymarine

© 2019 RAYMARINE LTD
 Company Confidential

THE INFORMATION CONTAINED HEREIN SHALL NOT BE REPRODUCED WITHOUT THE PRIOR WRITTEN PERMISSION OF RAYMARINE LTD



DRAWN TO BS308



DO NOT SCALE - IF IN DOUBT ASK

DRN: MA DATE: 2022-03-22
 DIMENSIONS IN MM SCALE: 1:4

TITLE TD_RVM400_TH-2
 DRAWING No. TD_RVM400_TH-2

8 7 6 5 4 3 2 1