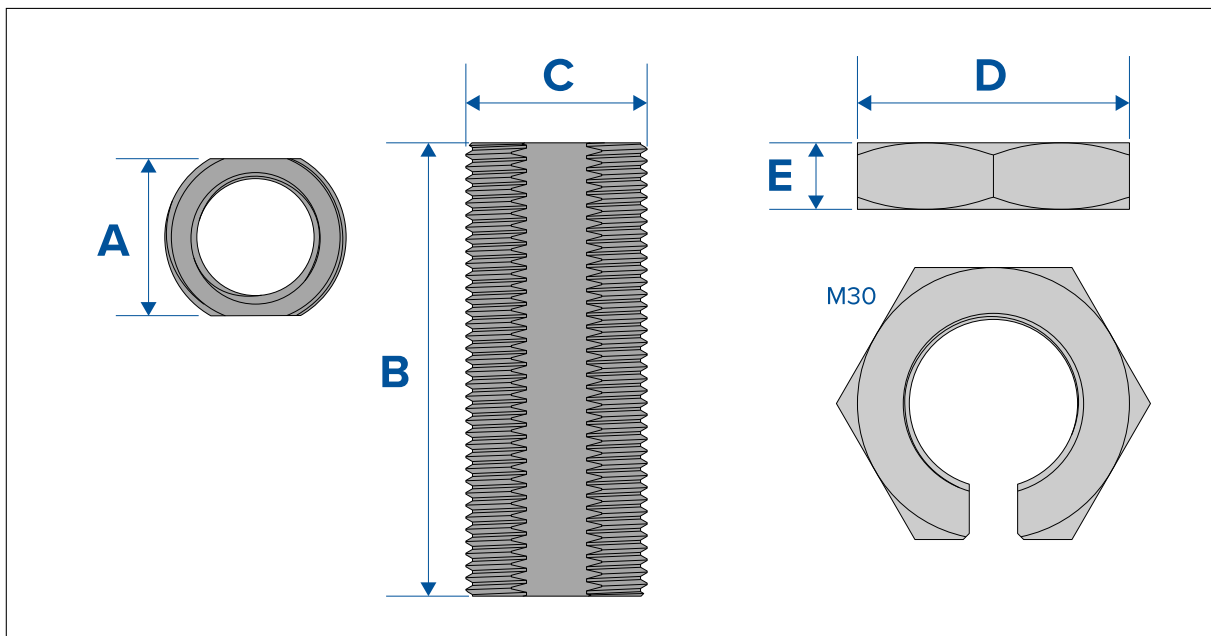


## YachtSense Link Antenna thread extender kit

### Antenna thread extender kit

The thread extender kit (part number: A80718) enables the 5 in 1 antenna supplied with the YachtSense™ Link Marine Cloud Router to be mounted on surfaces of up to 60 mm (2.36 in) thick. The collar can be cut to the required size.

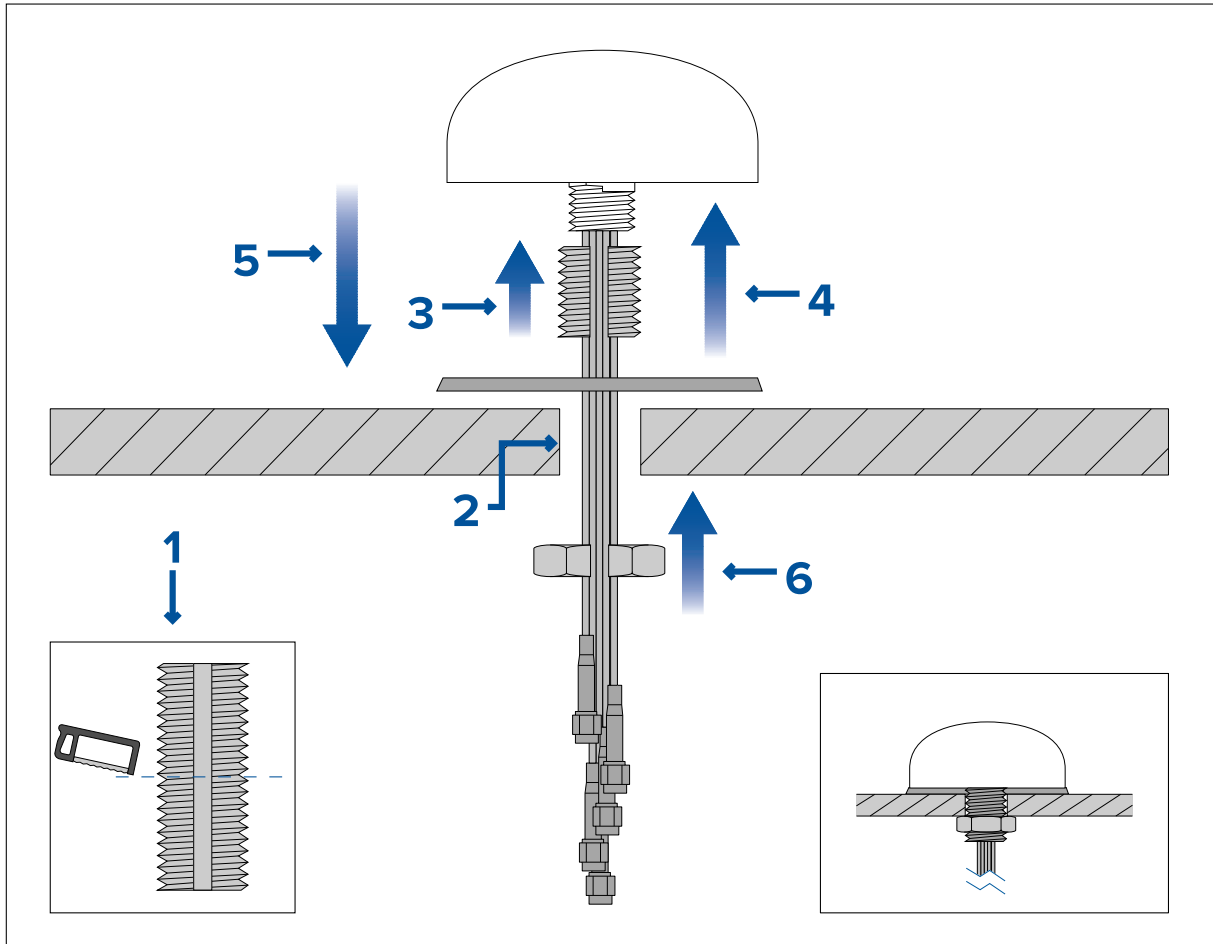
### Thread extender kit dimensions



- **A:** 26 mm (1.20 in)
- **B:** 75 mm (2.95 in)
- **C:** 30 mm (1.18 in)
- **D:** 45 mm (1.77 in)
- **E:** 11 mm (0.43 in)

## Mounting the antenna using the thread extender collar

The antenna must be installed in a location which has a clear line of sight to the sky, and is away from structure and devices that could cause interference.



1. Cut the collar to an appropriate length.

### Important:

- The length must be sufficient to allow for the thickness of the mounting surface, gasket and the nut.
- Once cut, ensure the cut edge is filed smooth to prevent damage to the antenna cables.

2. Drill a 30 mm (1.18 in) hole at the center of the desired mounting location.
3. Feed the cables through the split in the thread extender collar, and screw fully onto the antenna thread.

*The thread extender collar should be tightened by hand. The tightening torque should not exceed 1.47 N·m / 1.08 lbf·ft.*

4. Feed the cables through the gasket and place on the underside of the antenna.
5. Feed the cables and thread through the hole in the mounting surface so that the gasket and antenna sit flush on the mounting surface.
6. Feed the cables through the split in the M30 nut, and secure the antenna by tightening the nut on the exposed thread.

*Tighten the split nut using a large adjustable wrench or a 45 mm wrench. The tightening torque should not exceed 1.47 N·m / 1.08 lbf·ft.*