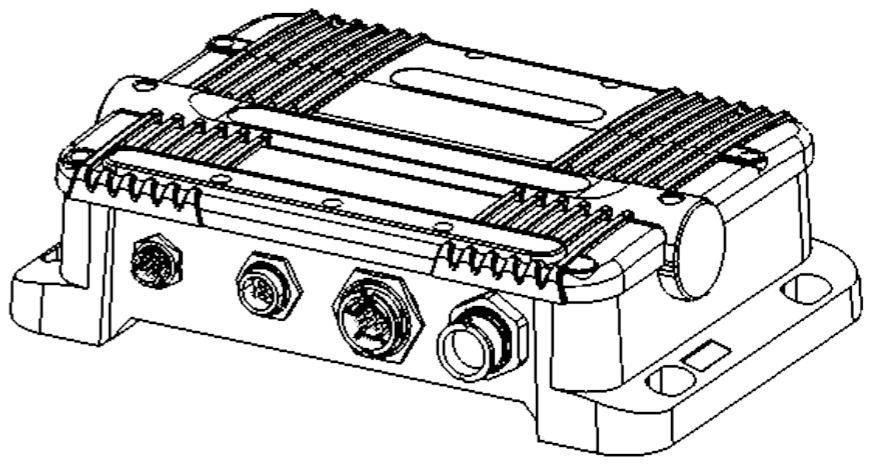


- NOTES:
- 1) FOR INFORMATION ON CONNECTIONS AND PRODUCT SPECIFICATIONS, PLEASE REFER TO HANDBOOK, PRODUCT SUPPORT AND WORKSHOP MANUALS.
 - 2) FOR ANY DIMENSIONAL INFORMATION NOT INCLUDED PLEASE CONTACT YOUR SALES REPRESENTATIVE.
 - 3) DIMENSIONS SHOWN ARE ACTUAL PRODUCT SIZE AND DO NOT INCLUDE ANY CLEARANCE DATA.

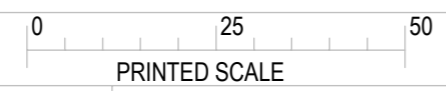


SCALE 1:3

Raymarine
A FLIR COMPANY

THE INFORMATION CONTAINED HEREIN SHALL NOT BE REPRODUCED WITHOUT THE PRIOR WRITTEN PERMISSION OF RAYMARINE LTD

© 2011 RAYMARINE LTD



DRAWN TO BS308 DO NOT SCALE - IF IN DOUBT ASK

DRN:	A. TAGGERTY	DATE: 10-05-2018
DIMENSIONS IN MM		SCALE: 1:5

TITLE	RVBB SALES MODEL
DRAWING No.	F_RVBB