

8

7

6

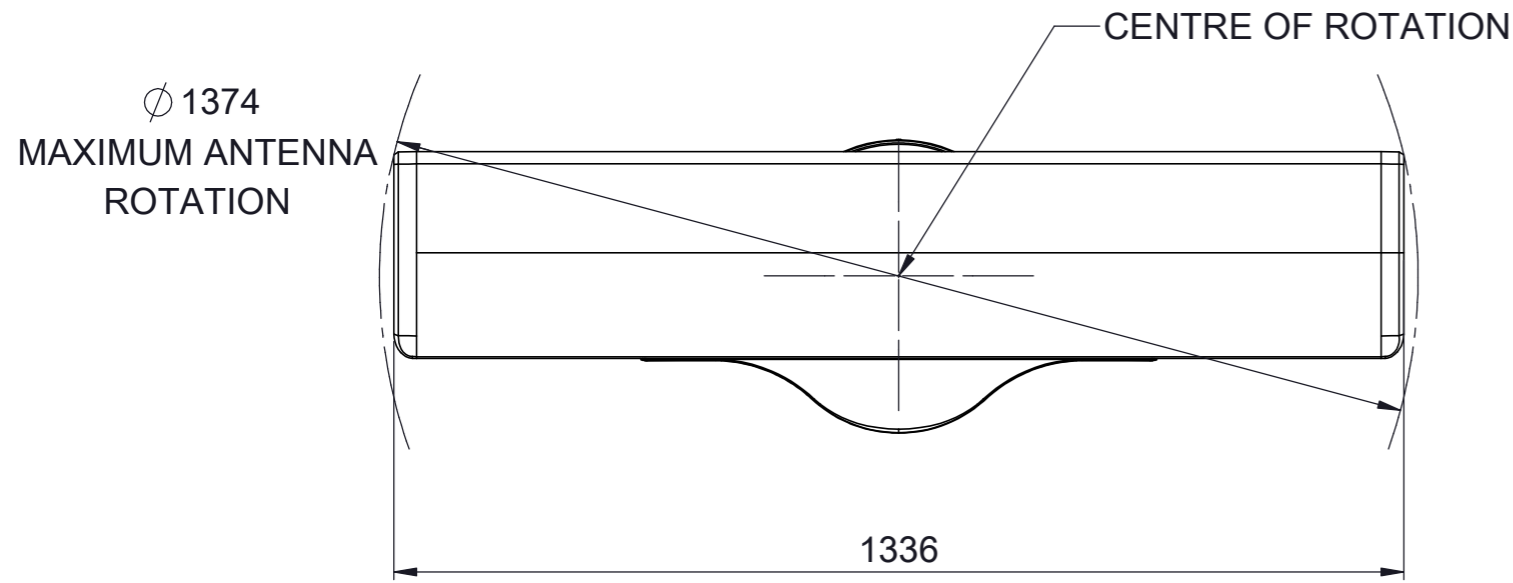
5

4

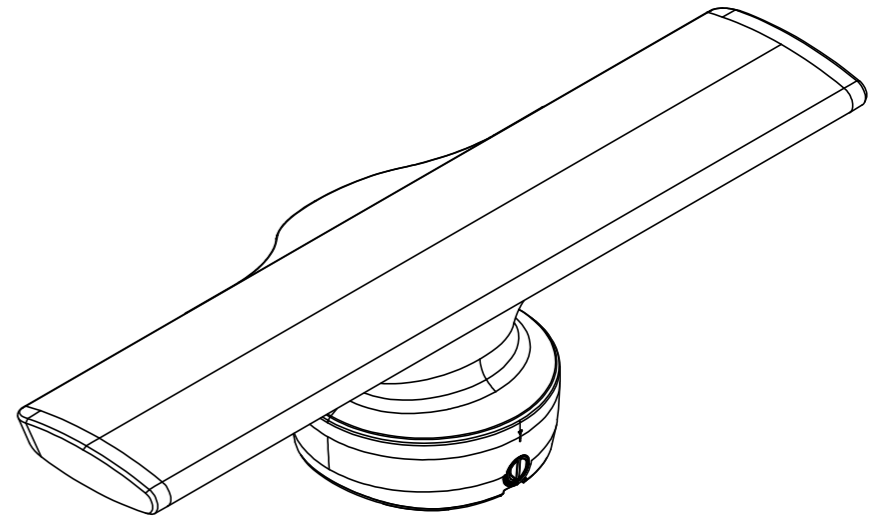
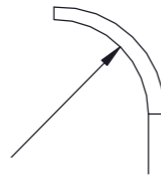
3

2

1



52 mm  
MINIMUM CABLE  
BEND RADIUS



F

F

E

E

D

D

C

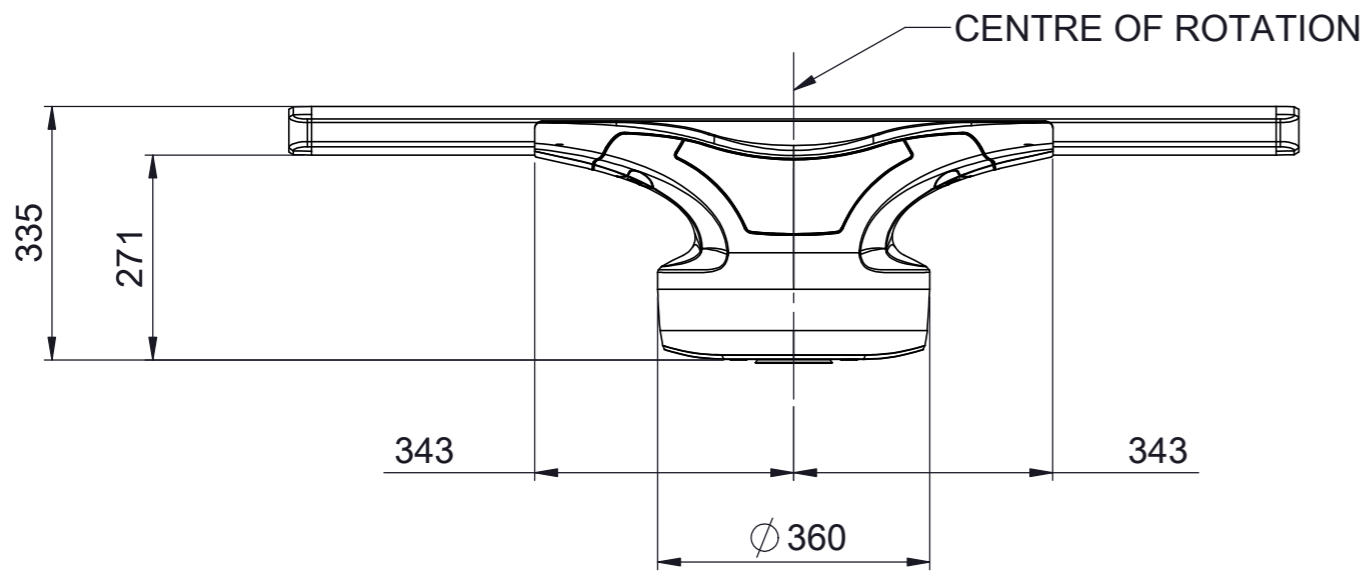
C

B

B

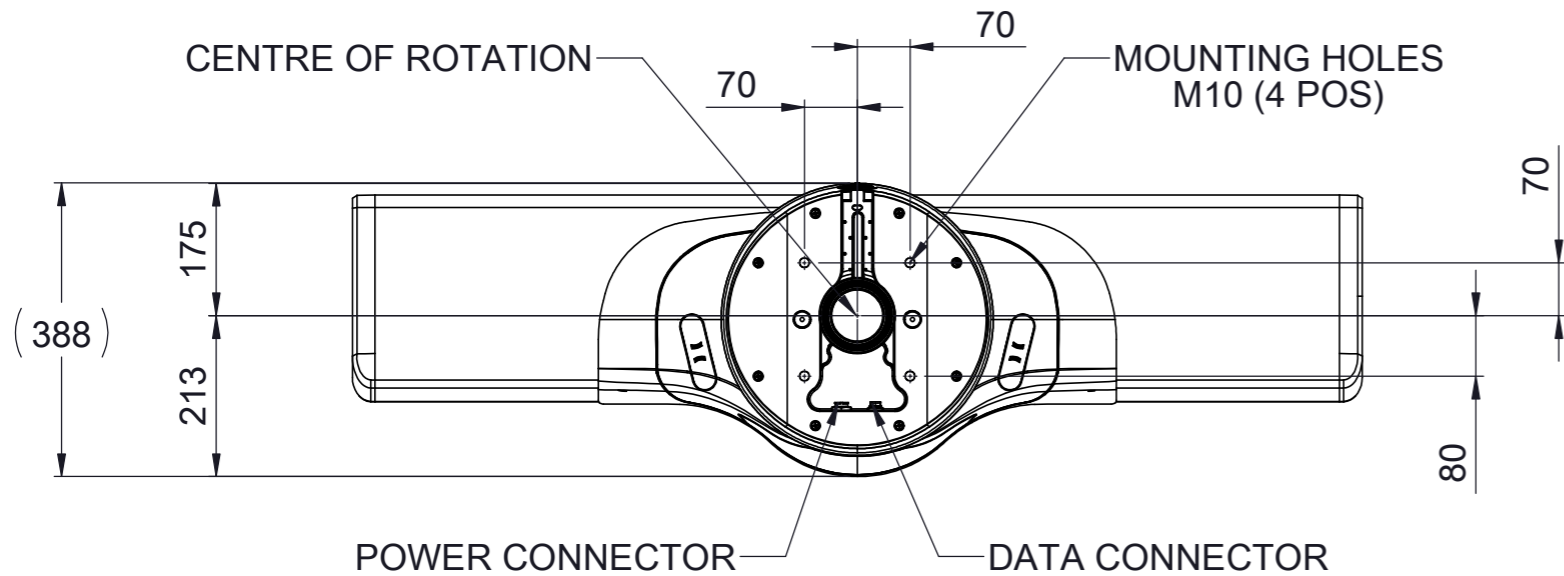
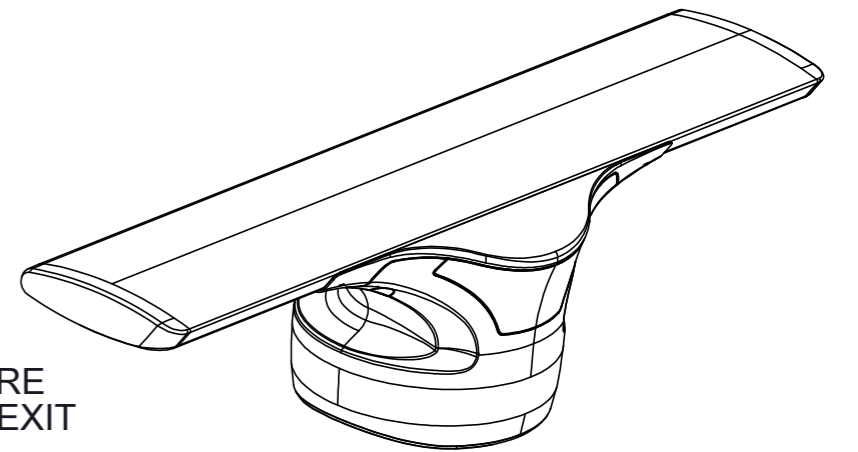
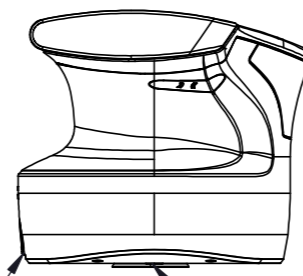
A

A



REAR  
CABLE EXIT

CENTRE  
CABLE EXIT



NOTES:

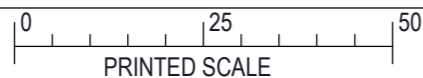
- 1) FOR INFORMATION ON CONNECTIONS AND PRODUCT SPECIFICATIONS, PLEASE REFER TO HANDBOOK, PRODUCT SUPPORT AND WORKSHOP MANUALS.
- 2) FOR ANY DIMENSIONAL INFORMATION NOT INCLUDED PLEASE CONTACT YOUR SALES REPRESENTATIVE.
- 3) DIMENSIONS SHOWN ARE ACTUAL PRODUCT SIZE AND DO NOT INCLUDE ANY CLEARANCE DATA.

**Raymarine**

© 2019 RAYMARINE LTD  
Company Confidential

THE INFORMATION CONTAINED HEREIN SHALL NOT BE REPRODUCED WITHOUT THE PRIOR WRITTEN PERMISSION OF RAYMARINE LTD

"THIS DOCUMENT DOES NOT CONTAIN ANY EXPORT-CONTROLLED INFORMATION"



DRAWN TO BS308



DO NOT SCALE - IF IN DOUBT ASK

DRN:

MA

DATE: 2020-03-13

DIMENSIONS IN MM

SCALE: 1:10

TITLE  
R\_48 Inch\_ARRAY\_ANTENNA

DRAWING No.  
R\_48 Inch\_ARRAY ANTENNA

8

7

6

5

4

3

2

1