

8

7

6

5

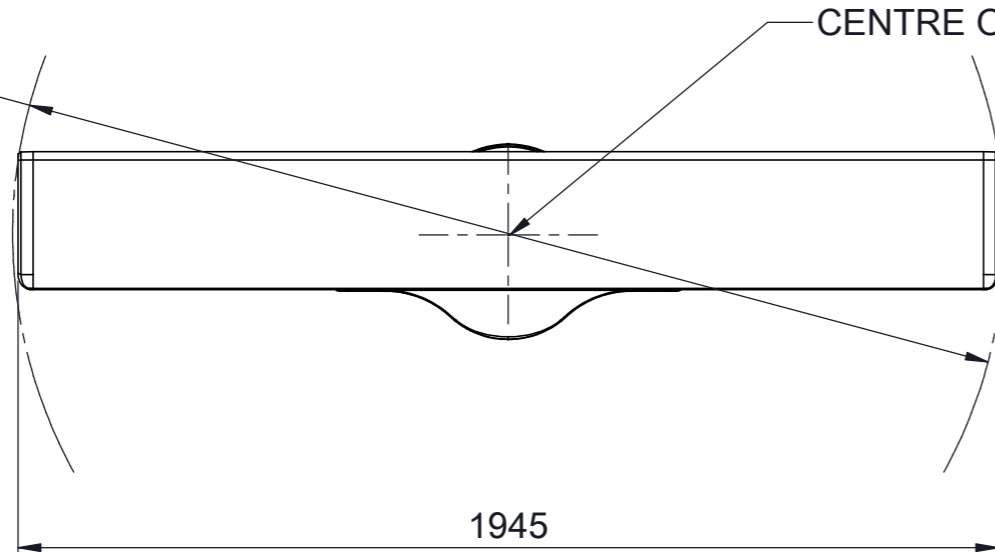
4

3

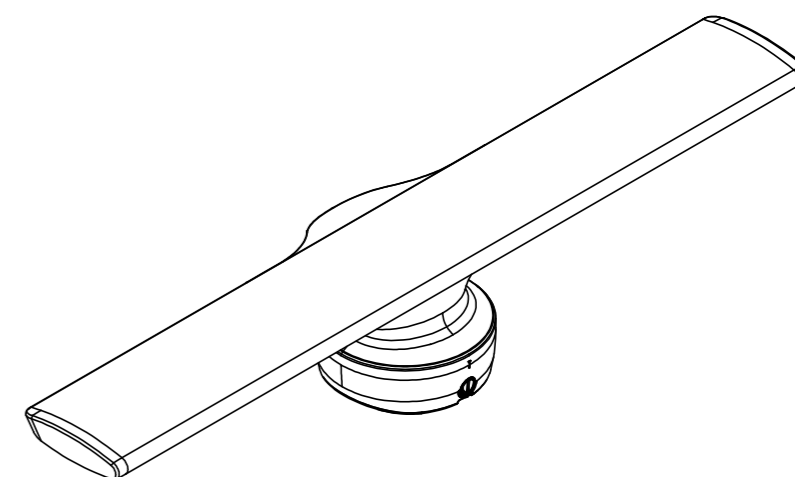
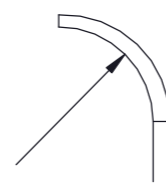
2

1

Ø 1969
MAXIMUM ANTENNA
ROTATION



52 mm
MINIMUM CABLE
BEND RADIUS



F

F

E

E

D

D

C

C

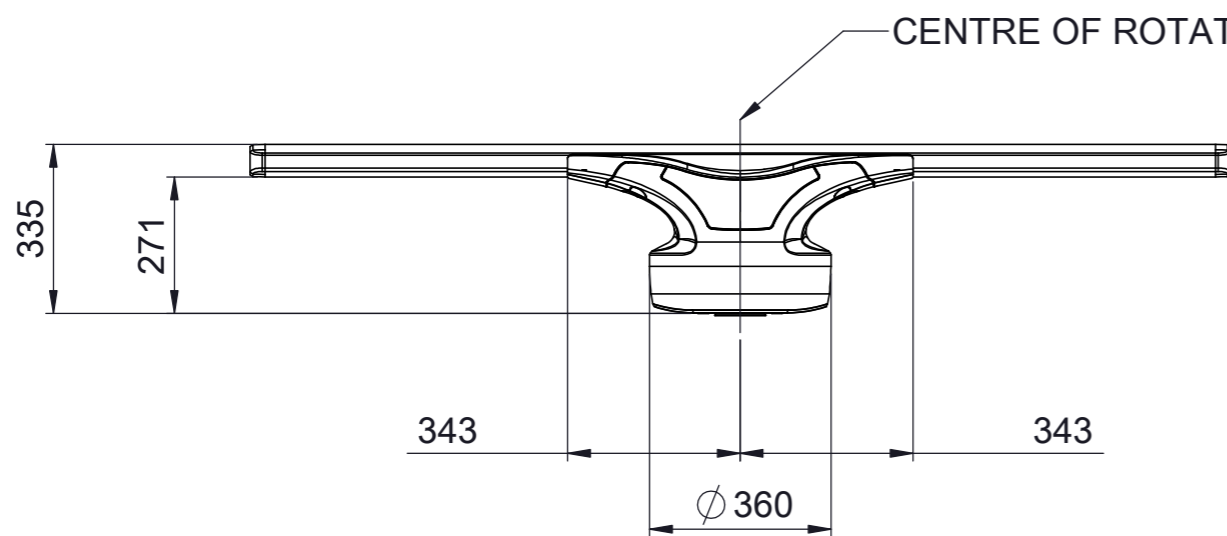
B

B

A

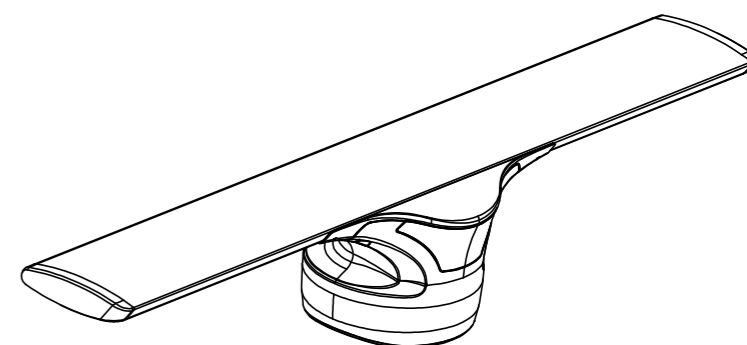
A

CENTRE OF ROTATION

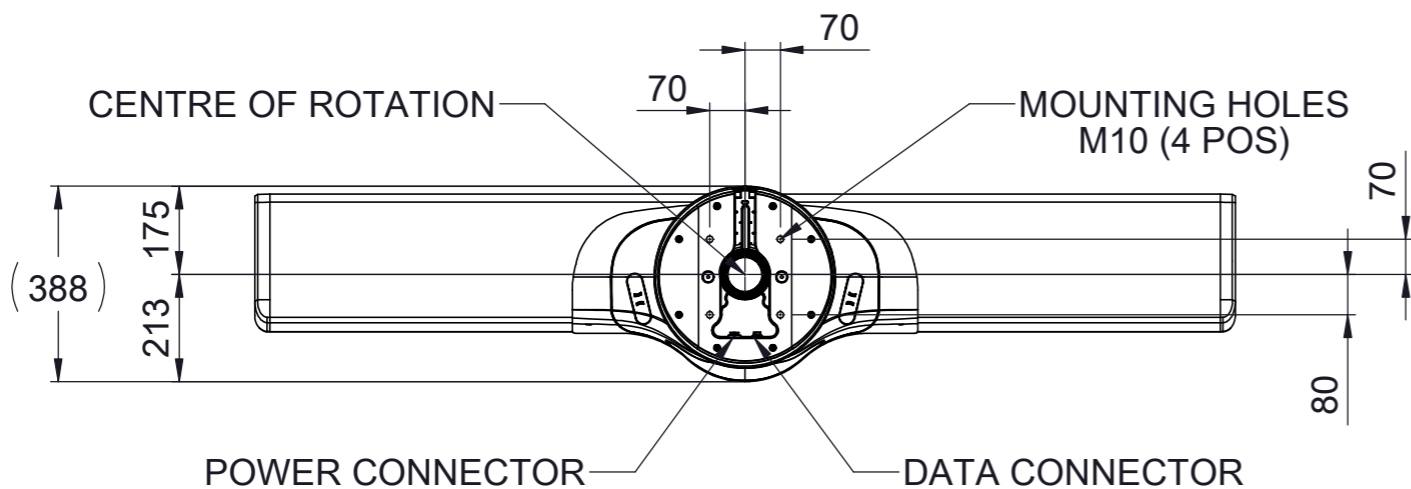


REAR
CABLE EXIT

CENTRE
CABLE EXIT



CENTRE OF ROTATION



POWER CONNECTOR

DATA CONNECTOR

NOTES:

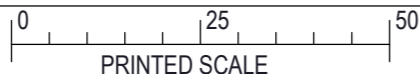
- 1) FOR INFORMATION ON CONNECTIONS AND PRODUCT SPECIFICATIONS, PLEASE REFER TO HANDBOOK, PRODUCT SUPPORT AND WORKSHOP MANUALS.
- 2) FOR ANY DIMENSIONAL INFORMATION NOT INCLUDED PLEASE CONTACT YOUR SALES REPRESENTATIVE.
- 3) DIMENSIONS SHOWN ARE ACTUAL PRODUCT SIZE AND DO NOT INCLUDE ANY CLEARANCE DATA.

Raymarine

© 2019 RAYMARINE LTD
Company Confidential

THE INFORMATION CONTAINED HEREIN SHALL NOT BE REPRODUCED WITHOUT THE PRIOR WRITTEN PERMISSION OF RAYMARINE LTD

"THIS DOCUMENT DOES NOT CONTAIN ANY EXPORT-CONTROLLED INFORMATION"



DRAWN TO BS308



DO NOT SCALE - IF IN DOUBT ASK

DRN:

MA

DATE: 2020-03-13

DIMENSIONS IN MM

SCALE: 1:15

TITLE	R_72 Inch_ARRAY_ANTENNA
DRAWING No.	R_72 Inch_ARRAY ANTENNA

8

7

6

5

4

3

2

1