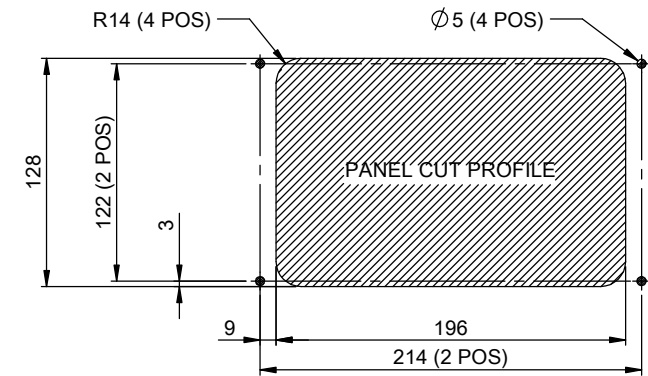


MINIMUM ADVISED CLEARANCE DIMENSION	
CABLE TYPE	LENGTH (MM)
TRANSDUCER	196
90° TRANSDUCER	96
POWER	146
90° POWER	106
ACCESSORY	136
NETWORK	136

NOTES:  
 1) FOR INFORMATION ON INSTALLATION, CONNECTIONS AND PRODUCT SPECIFICATIONS, PLEASE REFER TO HANDBOOK, PRODUCT SUPPORT AND WORKSHOP MANUALS.

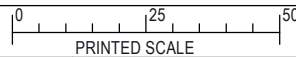
2) FOR ANY DIMENSIONAL INFORMATION NOT INCLUDED PLEASE CONTACT YOUR SALES REPRESENTATIVE.

3) DIMENSIONS SHOWN ARE ACTUAL PRODUCT SIZE AND DO NOT INCLUDE ANY CLEARANCE DATA.



**Raymarine**  
 ©2020 RAYMARINE LTD  
 Company Confidential

THE INFORMATION CONTAINED HEREIN SHALL NOT BE REPRODUCED WITHOUT THE PRIOR WRITTEN PERMISSION OF RAYMARINE LTD



DRAWN TO BS308



DO NOT SCALE - IF IN DOUBT ASK

DR'N: MSA  
 DIMENSIONS IN MM

DATE: 04/02/2020  
 SCALE: 1:3

TITLE AXIOM+ 7IN MFD FRONT INSTALL

DRAWING No. **D\_AXIOM+7FI**