



Raymarine®

AXIOM+

Installation Instructions

Document number: 87414 (Rev 4) | English (en-US) | Date: 10-2025

Legal notices

Trademark and patents notice

Raymarine®, **Tacktick®**, **Pathfinder®**, **Clear Pulse®**, **Truzoom®**, **SeaTalk®**, **SeaTalk HS™**, **SeaTalk NG™**, and **MicroNet™**, are registered or claimed trademarks of Raymarine UK Ltd.

FLIR®, **Fishidy®**, **Fishing Hot Spots®**, **YachtSense™**, **DockSense®**, **RangeFusion™**, **DownVision®**, **SideVision®**, **RealVision®**, **HyperVision™**, **Wi-Fish®**, **Dragonfly®**, **Element®**, **Quantum®**, **Cyclone™**, **Alpha™**, **Axiom®**, **Infrared Everywhere**, **The World's Sixth Sense** and **ClearCruise®** are registered or claimed trademarks of Teledyne FLIR LLC.

All other trademarks, trade names, or company names referenced herein are used for identification only and are the property of their respective owners.

This product is protected by patents, design patents, patents pending, or design patents pending.

Fair Use Statement

You may print no more than three copies of this manual for your own use. You may not make any further copies or distribute or use the manual in any other way including without limitation exploiting the manual commercially or giving or selling copies to third parties.

Content notice

Please ensure that you have obtained this document only from Raymarine, and that it is the **latest** available version.

There are numerous third-party Internet websites (such as *www.manualslib.com*) hosting Raymarine product manuals. These websites are not authorized by Raymarine to do so, and are often hosting illegitimate or older versions of Raymarine product manuals, which may contain inaccurate or misleading information.

To obtain the latest official documentation for a Raymarine product, please visit the official Raymarine website: www.docs.raymarine.com

Artificial Intelligence (AI) content notice

There are numerous third-party **Artificial Intelligence (AI)** services available to the public, which are capable of providing a summary or transcription of the information provided by official Raymarine publications or websites, either in written or audio/video formats. These services may alter, supplement, or convey the original information provided by Raymarine in inaccurate or misleading ways.

Please ensure that you have obtained this document only from Raymarine, and that it is the **latest** available version.

CONTENTS

CHAPTER 1 IMPORTANT INFORMATION	9		
Safety warnings.....	9		
Product warnings.....	9		
Regulatory notices.....	10		
Regulatory e-Label	10		
Disclaimer.....	10		
Electronic chart data	11		
Declaration of Conformity.....	11		
Network interfaces and services	11		
PSTI Compliance.....	11		
RF exposure	12		
Compliance Statement (Part 15.19).....	12		
FCC Interference Statement (Part 15.105 (b)).....	12		
Innovation, Science and Economic Development Canada (ISED)	12		
Innovation, Sciences et Développement économique Canada (Français).....	12		
Japanese approvals.....	12		
MSIP Warning Statement for Radio Devices (Korea only)	13		
Product disposal.....	13		
IMO and SOLAS.....	13		
Warranty policy and registration.....	13		
Technical accuracy	13		
Publication copyright.....	13		
CHAPTER 2 DOCUMENT INFORMATION	14		
2.1 Document information.....	15		
2.2 Applicable products	15		
2.3 Product documentation	16		
Operation instructions	16		
CHAPTER 3 PRODUCT AND SYSTEM OVERVIEW	17		
3.1 Product overview.....	18		
3.2 Minimum required LightHouse software version.....	18		
3.3 Typical systems	18		
CHAPTER 4 COMPATIBLE TRANSDUCERS	21		
4.1 Axiom+ RV 3D variant — compatible transducers	22		
Required cables — RealVision 3D transducers.....	22		
RealVision 3D transducers	22		
Required cables — DownVision transducers	23		
DownVision transducers.....	23		
Required cables — CPT-S-Series conical beam transducers.....	23		
CPT-S-Series conical beam transducers	23		
Required cables — Traditional transducers	24		
Traditional transducers.....	24		
CHAPTER 5 PARTS SUPPLIED	25		
5.1 Parts supplied — Axiom+ 7	26		
5.2 Parts Supplied — Axiom+ 7 (DISP).....	26		

5.3 Parts supplied — Axiom+ 9 and Axiom+ 12.....	27
5.4 Parts supplied — Axiom+ 9 (DISP) and Axiom+ 12 (DISP).....	28
5.5 Inline fuse requirement.....	28
CHAPTER 6 PRODUCT DIMENSIONS	29
6.1 Axiom+ 7 trunnion mount dimensions.....	30
6.2 Axiom+ 7 surface and flush mount dimensions.....	30
6.3 Axiom+ 9 and 12 trunnion mount dimensions.....	31
6.4 Axiom+ 9 and 12 surface and flush mount dimensions.....	32
CHAPTER 7 LOCATION REQUIREMENTS	33
7.1 Warnings and cautions.....	34
7.2 General location requirements.....	34
7.3 EMC installation guidelines	34
7.4 RF interference.....	35
7.5 Compass safe distance.....	35
7.6 GNSS (GPS) location requirements	35
7.7 Touchscreen location requirements.....	36
7.8 Wireless location requirements for optimum performance.....	36
7.9 Viewing angle considerations	37
CHAPTER 8 MOUNTING OPTIONS.....	39
8.1 Mounting options	40
CHAPTER 9 TRUNNION MOUNTING	41
9.1 Parts required (trunnion mount installations).....	42
9.2 Tools required (trunnion mount installations).....	42
9.3 Trunnion bracket mounting.....	43

CHAPTER 10 SURFACE MOUNTING	44
10.1 Tools required (surface mount installations).....	45
10.2 Rear access requirements.....	45
10.3 Preparing the mounting surface — surface mounting.....	45
10.4 Surface mount installation methods.....	46
Removing the trunnion adaptor (Axiom+ 7 only)	46
Surface mounting using the trunnion adaptor (Axiom+ 7 only)	47
Surface mounting using the rear mounting kit.....	47
CHAPTER 11 FLUSH MOUNTING	49
11.1 Tools required (flush mount installations).....	50
11.2 Rear access requirements.....	50
11.3 Preparing the mounting surface — flush mounting.....	50
11.4 Flush mount installation methods	51
Removing the trunnion adaptor (Axiom+ 7 only)	52
Flush mounting using the trunnion adaptor (Axiom+ 7 only)	52
Flush mounting using the rear mounting kit.....	53
CHAPTER 12 CABLES AND CONNECTIONS — GENERAL INFORMATION.....	55
12.1 General cabling guidance	56
Cable types and length	56

Cable routing and bend radius	56	15.4 Network connection	72
Strain relief	56	15.5 Internet connection	73
Circuit isolation	56	YachtSense Link network connection	73
Cable shielding	57	Connecting to the internet using Wi-Fi	74
Connecting cables	57	Wi-Fi settings (Axiom-Series displays)	74
Bare-ended wire connections	57	CHAPTER 16 USB CONNECTIONS	75
12.2 Connections overview	57	16.1 Accessory connection	76
CHAPTER 13 POWER CONNECTIONS	59	Fitting suppression ferrites	76
13.1 Power connection	60	CHAPTER 17 MAINTENANCE	77
Inline fuse and thermal breaker ratings	60	17.1 Service and maintenance	78
Power distribution	60	Routine equipment checks	78
Power cable extension (12 / 24 V		17.2 Product cleaning	78
systems)	62	Cleaning the display screen	78
Grounding — optional dedicated drain		Disinfecting the display	79
wire	63	Cleaning the display case	79
CHAPTER 14 TRANSDUCER CONNECTIONS —		Cleaning the sun cover	79
AXIOM+ RV 3D	65	CHAPTER 18 OPERATION	80
14.1 RealVision transducer connection	66	18.1 Operation instructions	81
RealVision transducer extension cables	66	CHAPTER 19 TROUBLESHOOTING	82
14.2 DownVision and CPT-S-Series transducer		19.1 Troubleshooting	83
connection	67	19.2 LED Diagnostics	83
DownVision transducer extension cable	67	19.3 Miscellaneous troubleshooting	84
14.3 Traditional transducer connection	67	19.4 Power up troubleshooting	84
14.4 Axiom+ RV 3D variant — Transducer		Performing a power on reset on touch-only	
adaptor cables	67	displays	85
CHAPTER 15 NETWORK CONNECTIONS	69	19.5 GNSS (GPS) troubleshooting	85
15.1 Networking constraints	70	19.6 Sonar troubleshooting	86
15.2 NMEA 2000 / SeaTalk NG connection	71	19.7 Wi-Fi troubleshooting	89
15.3 NMEA 0183 connection	71		

19.8 Touchscreen troubleshooting	91	23.1 Physical specification	103
CHAPTER 20 TECHNICAL SUPPORT	92	23.2 Power specification	103
20.1 Raymarine technical support and servicing	93	23.3 Environmental specification	103
Viewing product information	94	23.4 LCD specification	103
Remote Support via AnyDesk	94	23.5 Network specification	103
20.2 Learning resources	95	23.6 Storage specification	104
CHAPTER 21 TECHNICAL SPECIFICATION — AXIOM+ 7	96	23.7 RealVision 3D sonar specification	104
21.1 Physical specification	97	23.8 Internal GNSS (GPS / GLONASS) receiver specification	104
21.2 Power specification	97	CHAPTER 24 SPARES AND ACCESSORIES	105
21.3 Environmental specification	97	24.1 Spares	106
21.4 LCD specification	97	24.2 Accessories	106
21.5 Network specification	97	Legacy MFD adaptor plates	107
21.6 Storage specification	98	Axiom+ RV 3D variant — Transducer adaptor cables	107
21.7 RealVision 3D sonar specification	98	24.3 RayNet to RayNet cables and connectors	108
21.8 Internal GNSS (GPS / GLONASS) receiver specification	98	24.4 RayNet to RJ45, and RJ45 (SeaTalk HS) adapter cables	110
CHAPTER 22 TECHNICAL SPECIFICATION — AXIOM+ 9	99	24.5 SeaTalk NG cables and accessories	112
22.1 Physical specification	100	APPENDIX A NMEA 2000 PGNS	117
22.2 Power specification	100	APPENDIX B LEGACY ES AND GS SERIES COMPATIBILITY WITH AXIOM+ DISPLAYS	117
22.3 Environmental specification	100	APPENDIX C ETHERNET (IPV4) NETWORKING OF RAYMARINE DEVICES WITH THIRD-PARTY PRODUCTS	118
22.4 LCD specification	100		
22.5 Network specification	100		
22.6 Storage specification	101		
22.7 RealVision 3D sonar specification	101		
22.8 Internal GNSS (GPS / GLONASS) receiver specification	101		
CHAPTER 23 TECHNICAL SPECIFICATION — AXIOM+ 12	102		

CHAPTER 1: IMPORTANT INFORMATION

Safety warnings



Warning: Product installation and operation

- This product must be installed and operated in accordance with the instructions provided. Failure to do so could result in personal injury or damage to your vessel. It may also cause poor product performance or invalidate the product warranty.
- Raymarine highly recommends certified installation by a Raymarine approved installer. A certified installation qualifies for enhanced product warranty benefits. Register your warranty on the Raymarine website: www.raymarine.com/warranty



Warning: High voltage

This product contains high voltage. Adjustments require specialized service procedures and tools only available to qualified service technicians. There are no user serviceable parts or adjustments. The operator should never remove the cover or attempt to service the product.



Warning: Switch off power supply

Ensure that the vessel's power supply is switched OFF before starting to install this product. Do NOT connect or disconnect equipment with the power switched on, unless instructed to do so in this document.



Warning: Potential ignition source

This product is NOT approved for use in hazardous/flammable atmospheres. Do NOT install in a hazardous/flammable atmosphere (such as in an engine room or near fuel tanks).

Product warnings



Warning: Positive ground systems

Do NOT connect this unit to a system which has positive grounding.



Warning: Power supply voltage

Connecting this product to a voltage supply greater than the specified maximum rating may cause permanent damage to the unit. For the correct voltage, refer to the information label affixed to the product.



Warning: Marine-grade sealant

Only use marine-grade neutral cure polyurethane sealants. Do NOT use sealants containing acetate or silicone, which can cause damage to plastic parts.



Warning: Product grounding

Before applying power to this product, it MUST be correctly grounded, in accordance with the instructions provided.



Warning: Anti-virus protection

This product does not include protection against computer viruses. Before inserting any memory device, ensure it is free from computer viruses by scanning the device with a suitable anti-virus application with up to date virus definitions.

Caution: Power supply protection

When installing this product, ensure that the power source is adequately protected by means of a suitable-rated fuse or thermal circuit breaker.

Caution: Sun covers

- Sun covers are used to protect the display screen against the damaging effects of ultraviolet (UV) light. If your product is supplied with a sun cover always ensure it is fitted when the product is not in use.
- To avoid potential loss of the sun cover, ensure that the sun cover is removed when travelling at high speed, whether in the water or when the vessel is being towed.
- To avoid potential screen damage, ensure that the rear surface of the sun cover and the display screen are clean and free from debris before placing the sun cover on the screen.

Caution: Service and maintenance

This product contains no user serviceable components. Please refer all maintenance and repair to authorized Raymarine dealers. Unauthorized repair may affect your warranty.

Regulatory notices

Regulatory e-Label

All the applicable regulatory and compliance standards for your product are listed in electronic format in a regulatory “e-label” document, which can be viewed on your product’s display.

To access the Regulatory e-Label for your product:

From the Homescreen: [*Settings > Getting Started > Regulatory Approvals*]

Disclaimer

Raymarine does not warrant that this product is error-free or that it is compatible with products manufactured by any person or entity other than Raymarine.

Raymarine is not responsible for damages or injuries caused by your use or inability to use the product, by the interaction of the product with products manufactured by others, or by errors in information utilized by the product supplied by third parties.

Third-party hardware, such as converters, adapters, routers, switches, Access Points etc., provided by third parties, may be made available directly to you by other companies or individuals under separate terms and conditions, including separate fees and charges. Raymarine UK Ltd or its affiliates have not tested or screened the third-party hardware.

Raymarine has no control over, and is not responsible for:

- (a) the content and operation of such third-party hardware; or
- (b) the privacy or other practices of such third-party hardware.

The fact that Raymarine’s documentation may make reference to such third-party hardware does not indicate any approval or endorsement of any such third-party hardware. Raymarine may reference such third-party hardware only as a convenience.

THIS INFORMATION IS MADE AVAILABLE BY Raymarine ON THE BASIS THAT YOU EXCLUDE TO THE FULLEST EXTENT LAWFULLY PERMITTED ALL LIABILITY WHATSOEVER FOR ANY LOSS OR DAMAGE HOWSOEVER ARISING OUT OF THE USE OF THIS INFORMATION OR RELIANCE UPON THIS INFORMATION.

Raymarine does not exclude **Raymarine’s** liability (if any) to you for personal injury or death resulting from **Raymarine UK Ltd** negligence, for fraud or for any matter which it would be illegal to exclude or to attempt to exclude.

Electronic chart data



Raymarine does not warrant the accuracy of such information, and is not responsible for damages or injuries caused by errors in chart data or information utilized by the product and supplied by third parties. Use of electronic charts provided by third parties is subject to the supplier's End-User License Agreement (EULA).

Declaration of Conformity

Declaration of Conformity for product sold into EU member state regions.

Raymarine UK Ltd declares that the radio equipment type products listed below are in conformity with the relevant sections of the listed designated standards and / or other normative documents:

- **Axiom+ 7**, part numbers E70634 and E70634-DISP
- **Axiom+ 7 RV 3D**, part numbers E70635, E70635-03 and E70635-DISP
- **Axiom+ 9**, part numbers E70636 and E70636-DISP
- **Axiom+ 9 RV 3D**, part numbers E70637, E70637-03 and E70637-DISP
- **Axiom+ 12**, part numbers E70638 and E70638-DISP
- **Axiom+ 12 RV 3D**, part numbers E70639, E70639-03 and E70639-DISP

Region	Standard	Mark
UK	EMC Regulations 2016	
EU	Radio Equipment Directive 2014/53/EU	

The original Declaration of Conformity certificate may be viewed on the relevant product page at www.bit.ly/axiom-docs

Network interfaces and services

Declaration of Network Interfaces and Services used by this product.

Devices connected to the product using a RayNet (Ethernet) cable or via Wi-Fi use the following network interfaces and services. These

[Important information](#)

interfaces and services are required for proper product operation, and cannot be disabled.

Interfaces

- RayNet (Ethernet)
- Wi-Fi

Services

Services	RayNet (Ethernet)	Wi-Fi
Raymarine proprietary services	Yes	Yes
DHCP	Yes	Yes
HTTP	Yes	Yes
LLDP	Yes	Yes
NFS	Yes	Yes
RPC Bind	Yes	Yes
SSH	Yes	Yes
Telnet	Yes	Yes
Websocket	Yes	Yes
Protocol Buffers	Yes	Yes

Note:

When you connect a new MFD / chartplotter to the network, private information is synchronized with the newly-added device.

PSTI Compliance

For products sold into the United Kingdom (UK), use the following link to obtain the product's Statement of Compliance with the *Product Security and Telecommunications Infrastructure* (PSTI) Regulations:

Visit the following web address and enter the product's model name or number (SKU) into the provided search field:

- www.bit.ly/rym-sec-com

RF exposure

This equipment complies with FCC / ISED RF exposure limits for general population / uncontrolled exposure. The wireless LAN / Bluetooth antenna is mounted behind the front fascia of the display. This equipment should be installed and operated with a minimum distance of 1 cm (0.39 in) between the device and the body. This transmitter must not be co-located or operating in conjunction with any other antenna or transmitter, except in accordance with FCC multi-transmitter product procedures.

Compliance Statement (Part 15.19)

This device complies with Part 15 of the FCC Rules. Operation is subject to the following two conditions:

1. This device may not cause harmful interference.
2. This device must accept any interference received, including interference that may cause undesired operation.

FCC Interference Statement (Part 15.105 (b))

This equipment has been tested and found to comply with the limits for a Class B digital device, pursuant to Part 15 of the FCC Rules.

These limits are designed to provide reasonable protection against harmful interference in a residential installation. This equipment generates, uses, and can radiate radio frequency energy and, if not installed and used in accordance with the instructions, may cause harmful interference to radio communications. However, there is no guarantee that interference will not occur in a particular installation. If this equipment does cause harmful interference to radio or television reception, which can be determined by turning the equipment off and on, the user is encouraged to try to correct the interference by one of the following measures:

1. Reorient or relocate the receiving antenna.
2. Increase the separation between the equipment and receiver.
3. Connect the equipment into an outlet on a circuit different from that to which the receiver is connected.
4. Consult the dealer or an experienced radio / TV technician for help.

Innovation, Science and Economic Development Canada (ISED)

This device complies with License-exempt RSS standard(s).

Operation is subject to the following two conditions:

1. This device may not cause interference; and
2. This device must accept any interference, including interference that may cause undesired operation of the device.

This Class B digital apparatus complies with Canadian ICES-003(B) / NMB-003(B).

Innovation, Sciences et Développement économique Canada (Français)

Cet appareil est conforme aux normes d'exemption de licence RSS.

Son fonctionnement est soumis aux deux conditions suivantes:

1. cet appareil ne doit pas causer d'interférence, et
2. cet appareil doit accepter toute interférence, notamment les interférences qui peuvent affecter son fonctionnement.

Cet appareil numérique de la classe B est conforme à la norme NMB-003 du Canada.

Japanese approvals

In the frequency band used for this device, campus radio stations (radio stations that require a license) and specified low power radio stations (radio stations that do not require license) for mobile identification and amateur radio stations (radio stations that require license) used in industries such as microwave ovens, scientific, medical equipment devices and production line of other factories are also being operated.

1. Before using this device, please make sure that campus radio stations and specified low power radio stations for mobile identification and amateur radio stations are not being operated nearby.
2. In case there is any case of harmful interference to campus radio stations for mobile identification caused by this device, please immediately change the frequency used or stop the transmission of radio waves and then consult about the measures to avoid interference (for example, the installation of partitions) through the contact information below.

- Besides, when in trouble, such as when there is any case of harmful interference to specified low power radio stations for mobile identification or amateur radio stations caused by this device, please consult through the following contact information.

Contact information: Please contact your local authorized Raymarine dealer.

MSIP Warning Statement for Radio Devices (Korea only)

- 제작자 및 설치자는 해당 무선설비가 전파혼신 가능성이 있으므로 안전 인명과 관련된
- 서비스는 할 수 없음을 사용자 설명서 등을 통하여 운용자 및 사용자에게 충분히 알릴 것
- 법에 의해 전 방향 전파 발사 및 동일한 정보를 동시에 여러 곳으로 송신하는 점-대-다지점 서비스에의 사용은 금지되어 있습니다.

Product disposal

Dispose of this product in accordance with the WEEE Directive.

The Waste Electrical and Electronic Equipment (WEEE) Directive requires the recycling of waste electrical and electronic equipment which contains materials, components and substances that may be hazardous and present a risk to human health and the environment when WEEE is not handled correctly.



Equipment marked with the crossed-out wheeled bin symbol indicates that the equipment should not be disposed of in unsorted household waste. Local authorities in many regions have established collection schemes under which residents can dispose of waste electrical and electronic equipment at a recycling center or other collection point. For more information about suitable collection points for waste electrical and electronic equipment in your region, refer to the Raymarine website: <https://bit.ly/rym-recycling>

IMO and SOLAS

The equipment described within this document is intended for use on leisure marine boats and workboats NOT covered by International Maritime Organization (IMO) and Safety of Life at Sea (SOLAS) Carriage Regulations.

Warranty policy and registration

Visit the Raymarine website to **read the latest warranty policy**, and **register** your product's warranty online: www.bit.ly/rym-warranty

It is important that you register your product to receive full warranty benefits. Your product package includes a barcode label indicating the serial number of the unit. This serial number is also provided on a label affixed to the product itself. You will need this serial number when registering your product online.

Technical accuracy

To the best of our knowledge, the information in this document was correct at the time it was produced. However, Raymarine cannot accept liability for any inaccuracies or omissions it may contain. In addition, our policy of continuous product improvement may change specifications without notice. As a result, Raymarine cannot accept liability for any differences between the product and this document. Please check the Raymarine website to ensure you have the most up-to-date version(s) of the documentation for your product: www.docs.raymarine.com

Publication copyright

Copyright ©2025 Raymarine UK Ltd. All rights reserved. No parts of this material may be copied, translated, or transmitted (in any medium) without the prior written permission of Raymarine UK Ltd.

CHAPTER 2: DOCUMENT INFORMATION

CHAPTER CONTENTS

- 2.1 Document information — page 15
- 2.2 Applicable products — page 15
- 2.3 Product documentation — page 16

2.1 Document information

This document contains important information related to the installation of your Raymarine product.

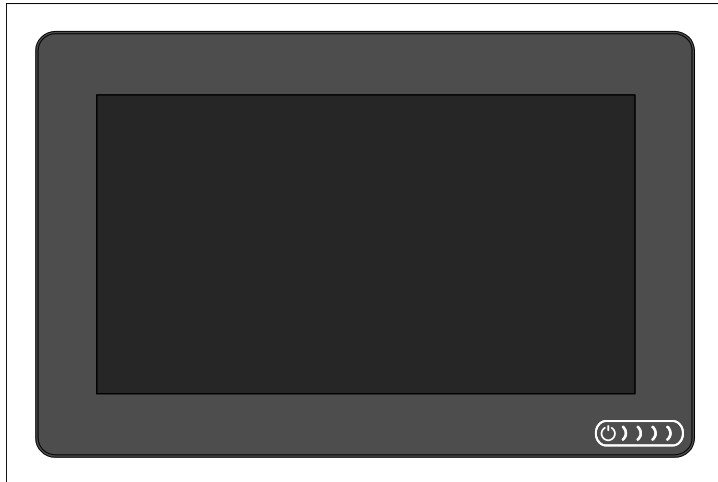
The document includes information to help you:

- Plan your installation and ensure you have all the necessary equipment.
- Install and connect your product as part of a wider system of connected marine electronics.
- Troubleshoot problems and obtain technical support if required.

This and other Raymarine product documents are available to download in PDF format from www.bit.ly/rym-docs

2.2 Applicable products

This document is applicable to the following products:



Axiom+ 7

Part	Name	Description
E70634	Axiom+ 7	7" MFD / Chartplotter.
E70634-DISP	Axiom+ 7	7" MFD / Chartplotter (supplied with rear mounting kit only).

Part	Name	Description
E70635	Axiom+ 7 RV 3D	7" MFD / Chartplotter with built-in RealVision 3D sonar module.
E70635-03	Axiom+ 7 RV 3D (including RV-100 transom transducer)	7" MFD / Chartplotter with built-in RealVision 3D sonar module.
E70635-DISP	Axiom+ 7 RV 3D	7" MFD / Chartplotter with built-in RealVision 3D sonar module (supplied with rear mounting kit only).

Axiom+ 9

Part	Name	Description
E70636	Axiom+ 9	9" MFD / Chartplotter.
E70636-DISP	Axiom+ 9	9" MFD / Chartplotter (supplied with rear mounting kit only).
E70637	Axiom+ 9 RV 3D	9" MFD / Chartplotter with built-in RealVision 3D sonar module.
E70637-03	Axiom+ 9 RV 3D (including RV-100 transom transducer)	9" MFD / Chartplotter with built-in RealVision 3D sonar module.
E70637-DISP	Axiom+ 9 RV 3D	9" MFD with built-in RealVision 3D sonar module (supplied with rear mounting kit only).

Axiom+ 12

Part	Name	Description
E70638	Axiom+ 12	12" MFD / Chartplotter.
E70638-DISP	Axiom+ 12	12" MFD / Chartplotter (supplied with rear mounting kit only).

Part	Name	Description
E70639	Axiom+ 12 RV 3D	12" MFD / Chartplotter with built-in RealVision 3D sonar module.
E70639-03	Axiom+ 12 RV 3D (including RV-100 transom transducer)	12" MFD / Chartplotter with built-in RealVision 3D sonar module.
E70639-DISP	Axiom+ 12 RV 3D	12" MFD / Chartplotter with built-in RealVision 3D sonar module (supplied with rear mounting kit only).

2.3 Product documentation

The following documentation is applicable to your product:

Document	Description
87414	Axiom+ Installation instructions (this document)
87295	Axiom+ 7 Surface / Flush mounting template
87296	Axiom+ 9 Surface / Flush mounting template
87297	Axiom+ 12 Surface / Flush mounting template
87304	Axiom+ Front installation kit instructions
87316	Legacy MFD to Axiom+ adaptor plates installation instructions
87317	RCR-SDUSB Installation instructions
81406	LightHouse 4 Advanced operation instructions
81370	LightHouse 3 Advanced operation instructions

These and other Raymarine product documents are available from <https://bit.ly/rym-docs>

Operation instructions

For detailed operation instructions for your product, refer to the documentation that accompanies your display.

Document	Description	Link
81406	LightHouse 4 Operation Instructions	www.bit.ly/LH4-docs
81370	LightHouse 3 Operation Instructions	www.bit.ly/LH3-docs

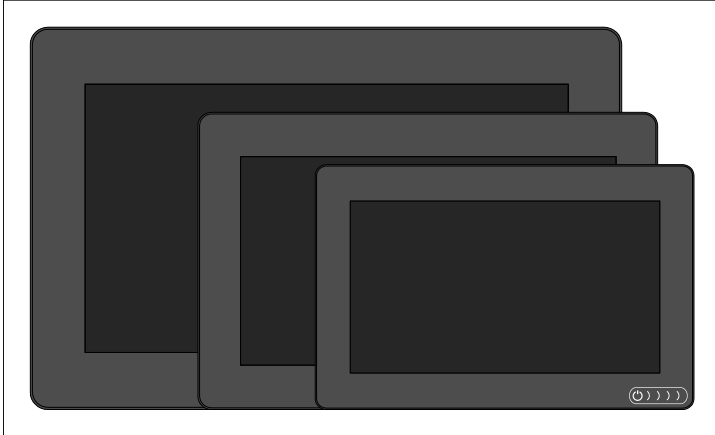
CHAPTER 3: PRODUCT AND SYSTEM OVERVIEW

CHAPTER CONTENTS

- 3.1 Product overview — page 18
- 3.2 Minimum required LightHouse software version — page 18
- 3.3 Typical systems — page 18

3.1 Product overview

Axiom+ is a range of touchscreen glass bridge-style multifunction displays / chartplotters.



Axiom+ features include:

- Full range of navigation, sonar, radar, data, entertainment and other apps available, via the embedded LightHouse operating system.
- Available in 7, 9 and 12 inch screen sizes.
- Quad-core (4-core) processor.
- 16 Gbyte internal solid state storage (14 Gbyte usable for user data).
- Multi-point touchscreen display, which supports the following screen resolutions:
 - Axiom+ 7: 1024 x 600 (WSVGA)
 - Axiom+ 9: 1280 x 720 (HD)
 - Axiom+ 12: 1280 x 800 (WXGA)
- Wide viewing angles.
- Hydrotough nano-coated, impact-resistant glass screen, which repels water, oil, and smudges for better viewing and accurate touch controls.
- RV 3D display variants include an internal RealVision 3D sonar module and a 600W CHIRP sonar module, which can be connected directly to compatible transducers via the 25-pin transducer connector on the rear of the display.

- RayNet (Ethernet) connection, which supports 10/100 Mbps/s data transfer speeds.
- NMEA 2000 DeviceNet connection (or SeaTalk NG via the supplied adaptor cable).
- NMEA 0183 connection available, via an optional NMEA 0183 to NMEA 2000 converter (part number: A80721).
- MicroSD card reader.
- Micro-USB connection, for use with an optional Remote Card Reader (RCR) accessory.
- Waterproof to IPx6 and IPx7 (suitable for above or below decks installation).

3.2 Minimum required LightHouse software version

Minimum LightHouse software version required for compatibility with Axiom+ MFDs / chartplotters.

LightHouse Generation	Minimum version required
LightHouse 3:	v3.12.199
LightHouse 4:	v4.0.70

Important:

To ensure access to the latest features and full compatibility with your connected Raymarine devices, it is **highly recommended** that you upgrade the software on your MFD / chartplotter to the latest available version of LightHouse 4:

- www.bit.ly/rym-software

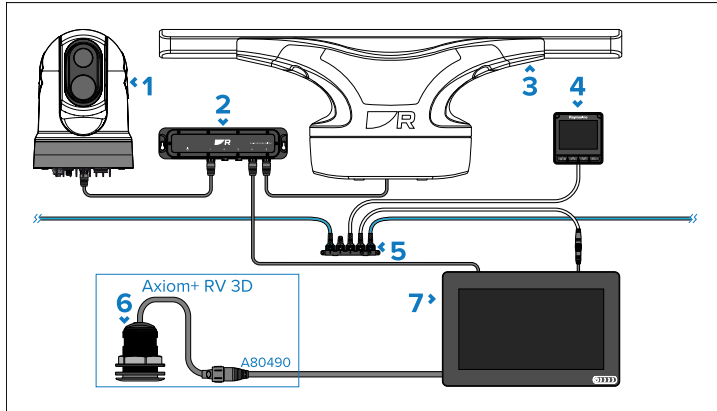
3.3 Typical systems

Examples of typical systems.

Note:

Power supply connections are not shown in the following example. For details on how to connect power to your devices, refer to the power connection details in the applicable device instructions.

Example basic system

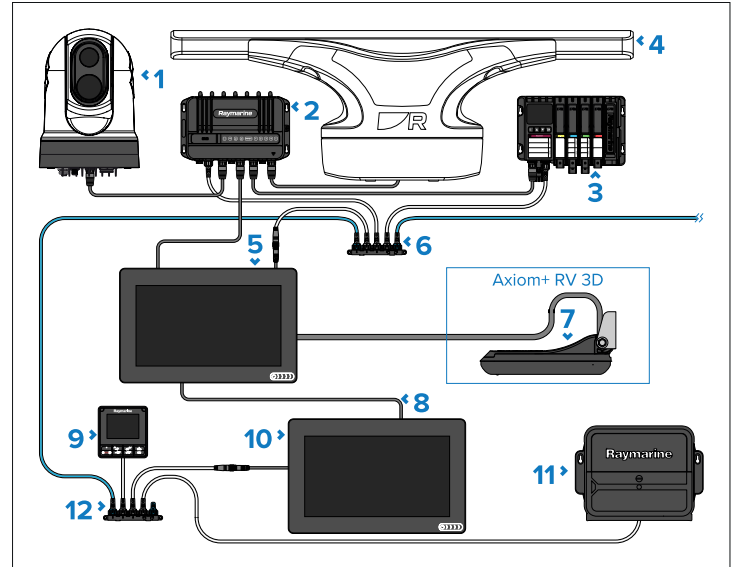


1. Raymarine thermal camera (M300 illustrated).
2. Raymarine network switch (RNS-5 illustrated).
3. Raymarine radar scanner (Cyclone illustrated).
4. SeaTalk NG instrument (i70s illustrated).
5. SeaTalk NG 5-way block (terminated SeaTalk NG CAN bus network).
6. Example Raymarine transducer (CPT-S Thru-Hull illustrated), compatible with Axiom+ RV 3D display variants.
7. Axiom+ display.

Note:

Power supply connections are not shown in the following example. For details on how to connect power to your devices, refer to the power connection details in the applicable device instructions.

Example expanded system



1. Raymarine thermal camera (M300 illustrated).
2. YachtSense Link Marine Router.
3. YachtSense DCS (Master module assembly illustrated).
4. Raymarine radar scanner (Cyclone illustrated).
5. Axiom+ display.
6. SeaTalk NG 5-way block (terminated SeaTalk NG CAN bus network).
7. Example Raymarine transducer (RV-100 illustrated), compatible with Axiom+ RV 3D display variants.
8. RayNet (Ethernet) network connection between Raymarine displays.
9. Autopilot controller (p70s illustrated).
10. (Additional) Axiom+ display.
11. ACU-Series Evolution autopilot (drive and EV sensor not shown).
12. SeaTalk NG 5-way block (terminated SeaTalk NG CAN bus network).

Note:

Only the Datamaster MFD/Chartplotter requires a connection to the NMEA 2000/SeaTalk NG network. Other MFDs/Chartplotters can be connected for data redundancy; however only the Datamaster MFD/Chartplotter will receive data from NMEA 2000/SeaTalk NG devices. The Datamaster MFD/Chartplotter can bridge the data over the RayNet (Ethernet) network to other MFDs/Chartplotters in the system.

CHAPTER 4: COMPATIBLE TRANSDUCERS

CHAPTER CONTENTS

- [4.1 Axiom+ RV 3D variant — compatible transducers — page 22](#)

4.1 Axiom+ RV 3D variant — compatible transducers

Axiom+ RV 3D variant multifunction displays (MFDs) include a built-in sonar module which can be connected to compatible transducers using the 25-pin transducer connector on the rear of the display.

Compatible transducers:

- RealVision 3D transducers.
- DownVision transducers (via the use of an adaptor cable).
- CPT-S-Series conical beam transducers (via the use of an adaptor cable).
- Non-CHIRP transducers (via the use of an adaptor cable).

For more information on the adaptor cables which are separately available, refer to:

- [p.105 — Spares and accessories](#)

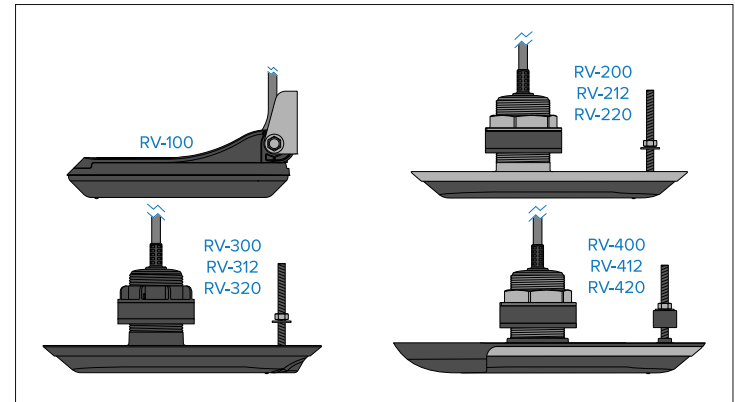
Note:

Axiom+ Chartplotter only display variants must be connected to a separate sonar module in order for sonar features to be enabled.

Required cables — RealVision 3D transducers

- RealVision transducers connect directly to the product's 25-pin transducer connector.
- RealVision split-pair transducers are supplied with a Y-cable (part number: A80478) and extension cable (part number: A80477) to connect both transducers to the product's 25-pin transducer connector.

RealVision 3D transducers



Transom mount transducers

Part	Description
A80464	RV-100 RealVision plastic transducer

Thru-hull mount transducers

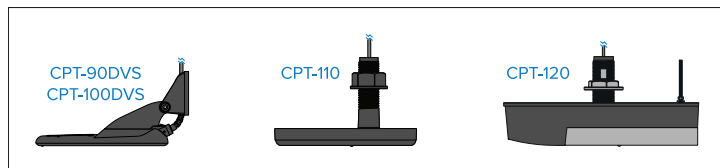
Part	Description
A80465	RV-200 RealVision bronze 0° transducer
T70318: A80466 A80467	RV-212P / RV-212S RealVision bronze 12° split-pair transducers
T70319: A80468 A80469	RV-220P / RV-220S RealVision bronze 20° split-pair transducers
A80470	RV-300 RealVision plastic 0° transducer
T70320: A80471 A80472	RV-312P / RV-312S RealVision plastic 12° split-pair transducers
T70321: A80473 A80474	RV-320P / RV-320S RealVision plastic 20° split-pair transducers

Part	Description
A80615	RV-400 RealVision stainless steel 0° transducer
T70450: A80616 A80617	RV-412P / RV-412S RealVision stainless steel 12° split-pair transducers
T70451: A80618 A80619	RV-420P / RV-420S RealVision stainless steel 20° split-pair transducers

Required cables — DownVision transducers

DownVision transducers require an adapter cable (part number: A80490), and connect to the product's 25-pin transducer connector.

DownVision transducers



Transom mount transducers

Part	Description
A80507	CPT-90DVS DownVision plastic transducer
A80351	CPT-100DVS DownVision plastic transducer

Thru-hull mount transducers

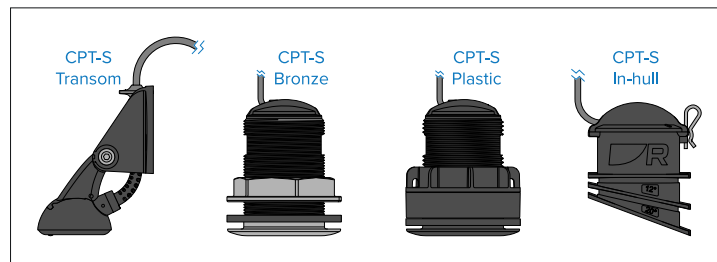
Part	Description
A80277	CPT-110 plastic transducer
A80350	CPT-120 bronze transducer

Required cables — CPT-S-Series conical beam transducers

- CPT-S-Series transducers require an adapter cable (part number: A80490), and connect to the product's 25-pin transducer connector.

- CPT-S-Series transducers do **NOT** offer DownVision capabilities.

CPT-S-Series conical beam transducers



Transom mount transducers

Part	Description
E70342	CPT-S Transom plastic transducer

Thru-hull mount transducers

Part	Description
E70339	CPT-S Thru-Hull 0° Angled element plastic transducer
A80448	CPT-S Thru-Hull 12° Angled element plastic transducer
A80447	CPT-S Thru-Hull 20° Angled element plastic transducer
A80446	CPT-S Thru-Hull 0° Angled element bronze transducer
E70340	CPT-S Thru-Hull 12° Angled element bronze transducer
E70341	CPT-S Thru-Hull 20° Angled element bronze transducer

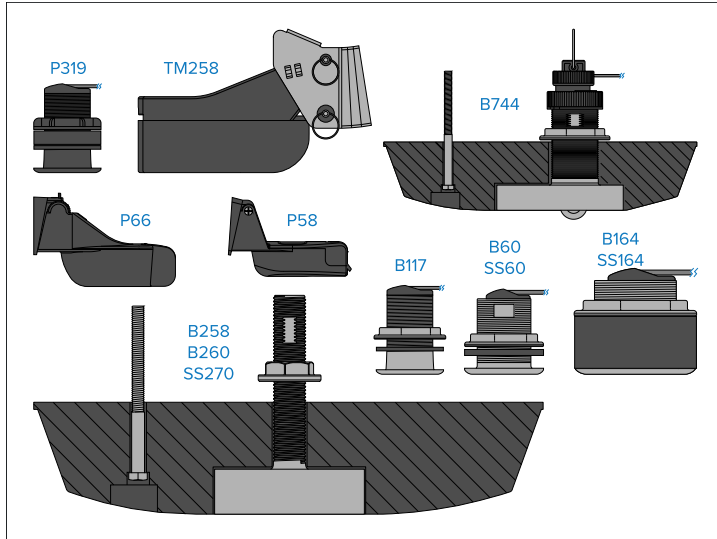
In-hull mount transducers

Part	Description
A80691	CPT-S In-Hull plastic transducer

Required cables — Traditional transducers

Traditional transducers require an adapter cable (part number: A80489), and connect to the product's 25-pin transducer connector.

Traditional transducers



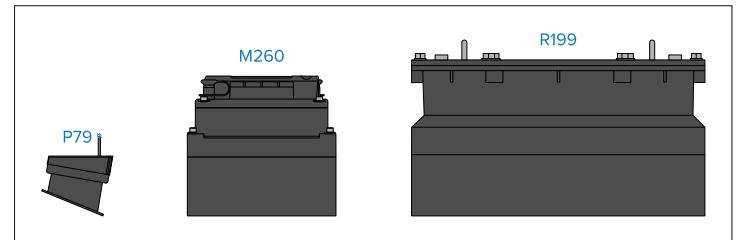
Transom mount transducers

Part	Description
E66084	TM258 plastic transducer
A80566	P58 plastic transducer
E66054	P66 plastic transducer

Thru-hull mount transducers

Part	Description
E66013	P319 plastic transducer
E66014	B117 bronze transducer
E66086	B60 12° angled element bronze transducer

Part	Description
E66085	B60 20° angled element bronze transducer
A80568	SS60 0° angled element stainless steel transducer
A80569	SS60 12° angled element stainless steel transducer
A80570	SS60 20° angled element stainless steel transducer
A102137	B164 0° angled element bronze transducer
A102112	B164 12° angled element bronze transducer
A102113	B164 20° angled element bronze transducer
A80451	SS164 0° angled element stainless steel transducer
A66098	SS164 12° angled element stainless steel transducer
A66099	SS164 20° angled element stainless steel transducer
A66091	B744V bronze transducer
A66092	B744VL bronze transducer
E66082	B258 bronze transducer
A102121	SS270W bronze transducer
E66079	B260 bronze transducer



In-hull mount transducers

Part	Description
E66008	P79 plastic transducer
A66089	M260 plastic transducer
E66076	R199 plastic transducer

CHAPTER 5: PARTS SUPPLIED

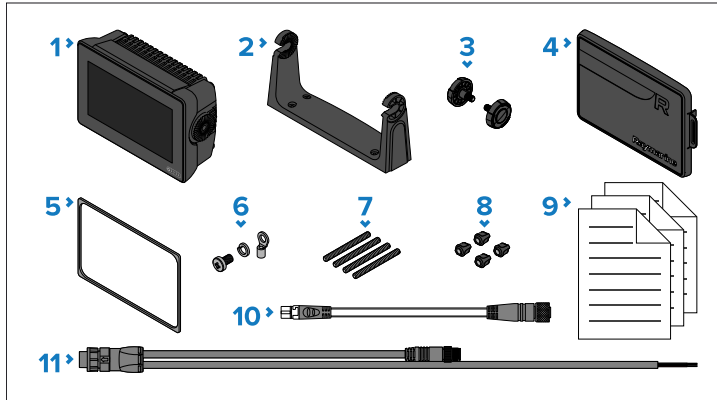
CHAPTER CONTENTS

- 5.1 Parts supplied — Axiom+ 7 — page 26
- 5.2 Parts Supplied — Axiom+ 7 (DISP) — page 26
- 5.3 Parts supplied — Axiom+ 9 and Axiom+ 12 — page 27
- 5.4 Parts supplied — Axiom+ 9 (DISP) and Axiom+ 12 (DISP) — page 28
- 5.5 Inline fuse requirement — page 28

5.1 Parts supplied — Axiom+ 7

The parts listed are supplied with the following product numbers: E70634 and E70635.

Unpack your product carefully to prevent damage or loss of parts. Check the box contents against the list below. Retain the packaging and documentation for future reference.



1. MFD (supplied with Trunnion adaptor fitted)
2. (1) Trunnion mounting bracket
3. Trunnion knobs x 2
4. Suncover — Trunnion mount
5. Panel mount gasket for surface/flush mounting
6. M3x5 screw, M3 spring washer and M3 crimp terminal (for optional grounding point connection)
7. M5x58 Threaded studs x 4
8. M5 Thumb nuts x 4
9. Documentation pack
10. DeviceNet to SeaTalk NG™ adaptor cable 120 mm (4.7 in)
11. Power / NMEA 2000 cable (with 1.5 m (4.92 ft) power lead and 0.5 m (1.64 ft) NMEA 2000 lead)

E70635-03 is also supplied with a RealVision 3D RV-100 transducer and associated fittings.

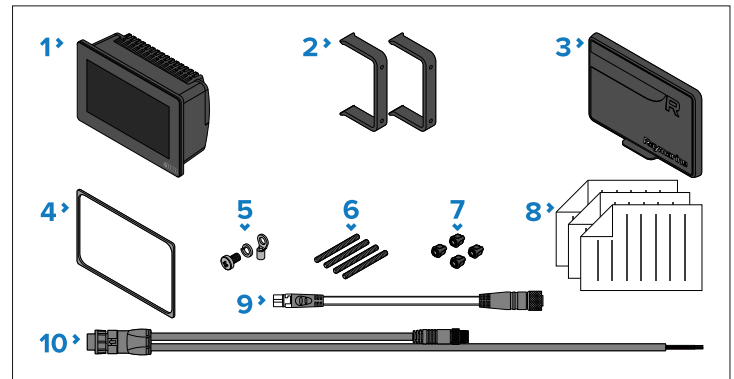
Note:

(1) Fixings to secure the trunnion bracket to a mounting surface are not provided. 4 x self-tapping screws are required. The screws should be suitable for the mounting surface material and the 4.20 mm (0.17 in) diameter mounting holes in the trunnion bracket.

5.2 Parts Supplied — Axiom+ 7 (DISP)

The parts listed are supplied with the following product numbers: E70634-DISP and E70635-DISP.

Unpack your product carefully to prevent damage or loss of parts. Check the box contents against the list below. Retain the packaging and documentation for future reference.



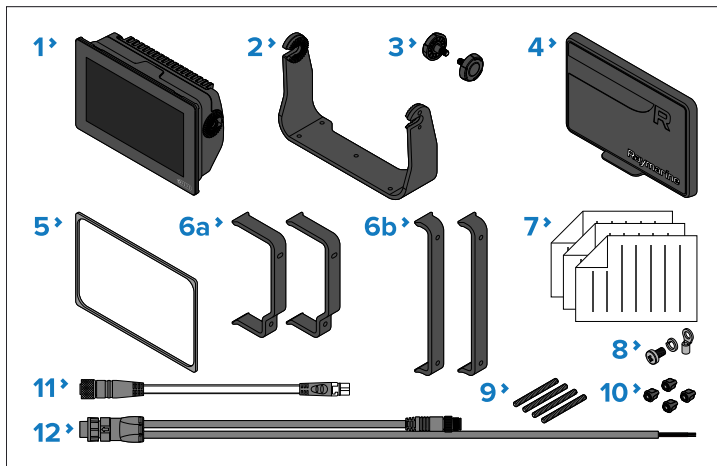
1. MFD
2. Rear mount brackets x 2
3. Suncover — Surface mount
4. Panel mount gasket for surface/flush mounting
5. M3x5 screw, M3 spring washer and M3 crimp terminal (for optional grounding point connection)
6. M5x58 Threaded studs x 4
7. M5 Thumb nuts x 4
8. Documentation pack
9. DeviceNet to SeaTalk NG™ adaptor cable 120 mm (4.7 in)

- Power / NMEA 2000 cable (with 1.5 m (4.92 ft) power lead and 0.5 m (1.64 ft) NMEA 2000 lead)

5.3 Parts supplied — Axiom+ 9 and Axiom+ 12

The parts listed are supplied with the following product numbers: E70636, E70637, E70638 and E70639.

Unpack your product carefully to prevent damage or loss of parts. Check the box contents against the list below. Retain the packaging and documentation for future reference.



- MFD
- ⁽¹⁾ Trunnion mounting bracket
- Trunnion knobs x 2
- Suncover
- Panel mount gasket for surface/flush mounting
- Rear mounting brackets:
 - supplied with 9" MFD
 - supplied with 12" MFD
- Documentation pack

Parts supplied

- M3x5 screw, M3 spring washer and M3 crimp terminal (for optional grounding point connection)
- M5x58 Threaded studs x 4
- M5 Thumb nuts x 4
- DeviceNet to SeaTalk NG adaptor cable 120 mm (4.7 in)
- Power / NMEA 2000 cable (with 1.5 m (4.92 ft) power lead and 0.5 m (1.64 ft) NMEA 2000 lead)

E70637–03 is also supplied with a RealVision 3D RV-100 transducer and associated fittings.

E70639–03 is also supplied with a RealVision 3D RV-100 transducer and associated fittings.

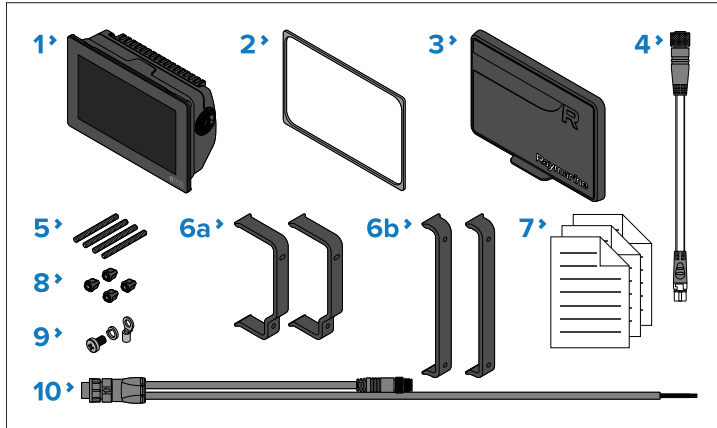
Note:

⁽¹⁾ Fixings to secure the trunnion bracket to a mounting surface are not provided. 5 x self-tapping screws are required. The screws should be suitable for the mounting surface material and the 5.75 mm (0.23 in) diameter mounting holes in the trunnion bracket.

5.4 Parts supplied — Axiom+ 9 (DISP) and Axiom+ 12 (DISP)

The parts listed are supplied with the following product numbers: E70636–DISP, E70637–DISP, E70638–DISP and E70639–DISP.

Unpack your product carefully to prevent damage or loss of parts. Check the box contents against the list below. Retain the packaging and documentation for future reference.



1. MFD
2. Panel mount gasket for surface/flush mounting
3. Suncover
4. DeviceNet to SeaTalk NG adaptor cable 120 mm (4.7 in)
5. M5x58 Threaded studs x 4
6. Rear mounting brackets:
 - a. supplied with 9" MFD
 - b. supplied with 12" MFD
7. Documentation pack
8. M5 Thumb nuts x 4
9. M3x5 screw, M3 spring washer and M3 crimp terminal (for optional grounding point connection)

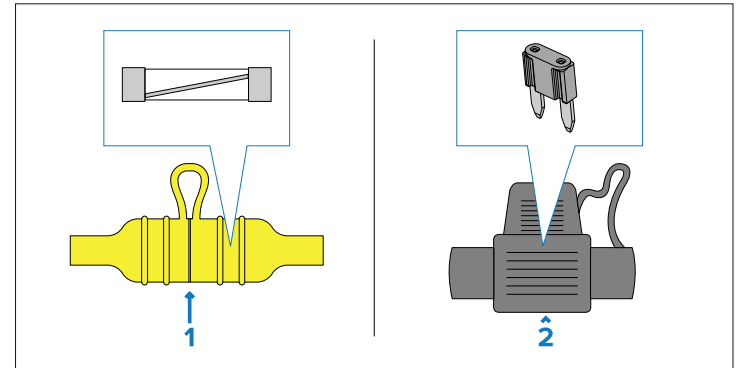
10. Power / NMEA 2000 cable (with 1.5 m (4.92 ft) power lead and 0.5 m (1.64 ft) NMEA 2000 lead)

5.5 Inline fuse requirement

If your product is NOT supplied with an inline fuse (whether separately or fitted to the power cable), you **MUST** fit a suitably-rated inline fuse to your product's red power wire, housed in a waterproof fuse holder.

The illustration below shows the two main types of inline fuse with waterproof holder, for use in marine electronics installations. Fuses in a variety of ratings are widely available at chandleries and marine electrical retailers.

Select one of the following fuse types to protect your product:



1. Waterproof fuse holder containing a “glass”-type inline fuse.
2. Waterproof fuse holder containing a “blade”-type inline fuse.

Fuse ratings:

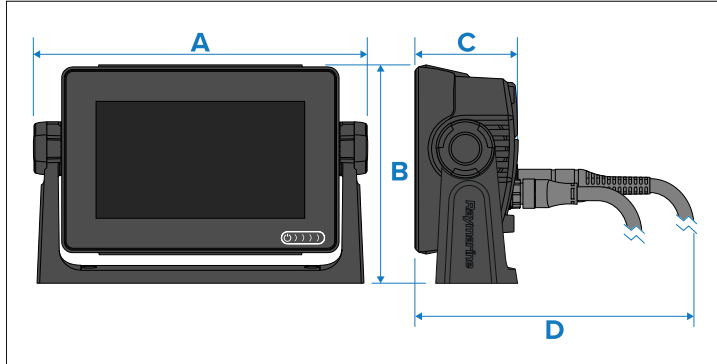
- *Voltage rating* — must be equal to or greater than the voltage of your vessel's power supply.
- *Current rating* — refer to the *Inline fuse and thermal breaker rating* section in this document.

CHAPTER 6: PRODUCT DIMENSIONS

CHAPTER CONTENTS

- 6.1 Axiom+ 7 trunnion mount dimensions — page 30
- 6.2 Axiom+ 7 surface and flush mount dimensions — page 30
- 6.3 Axiom+ 9 and 12 trunnion mount dimensions — page 31
- 6.4 Axiom+ 9 and 12 surface and flush mount dimensions — page 32

6.1 Axiom+ 7 trunnion mount dimensions

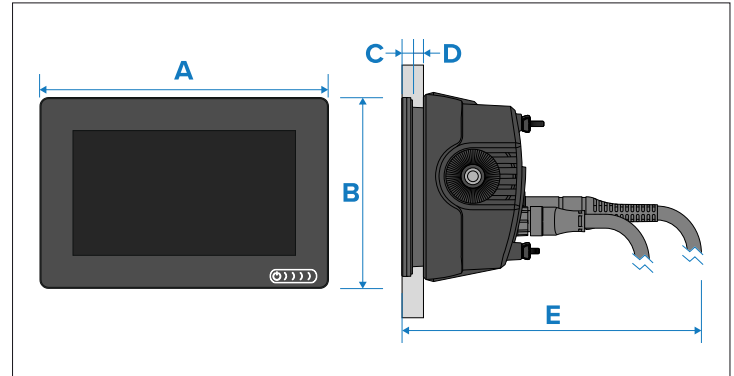


Description

- | | |
|----------|--|
| A | 250.4 mm (9.86 in) |
| B | 162.5 mm (6.4 in) |
| C | 76.4 mm (3 in) |
| D | <ul style="list-style-type: none"> • Straight connectors = 218 mm (8.58 in) • Right-angled connectors = 198 mm (7.79 in) |

6.2 Axiom+ 7 surface and flush mount dimensions

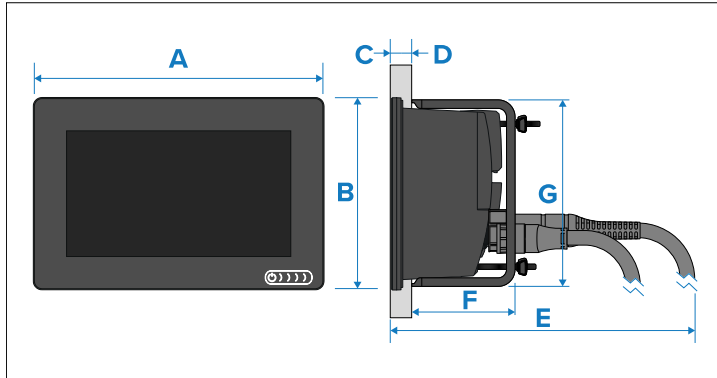
Using adaptor bracket:



Description

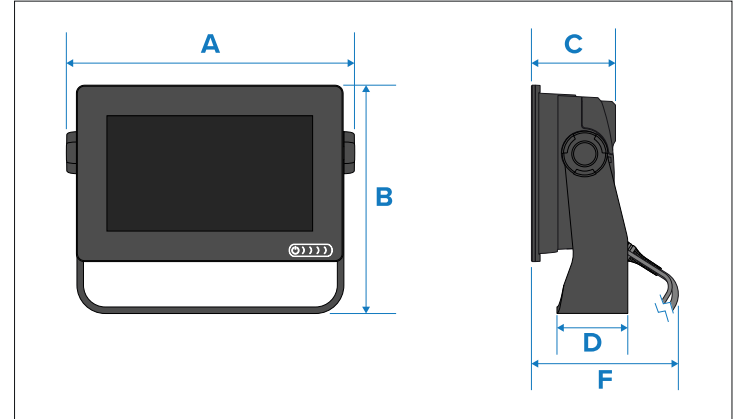
- | | |
|----------|--|
| A | 201.1 mm (7.92 in) |
| B | 133 mm (5.24 in) |
| C | 8 mm (0.32 in) |
| D | <ul style="list-style-type: none"> • Surface mounting = 19.05 mm (0.75 in) Maximum • Flush mounting = 27.05 mm (1.06 in) Maximum |
| E | <ul style="list-style-type: none"> • Straight connectors = 218 mm (8.58 in) • Right-angled connectors = 198 mm (7.79 in) |

Using rear mounting kit:



Description	
A	201.1 mm (7.92 in)
B	133 mm (5.24 in)
C	8 mm (0.32 in)
D	<ul style="list-style-type: none"> • Surface mounting = 19.05 mm (0.75 in) Maximum • Flush mounting = 27.05 mm (1.06 in) Maximum
E	<ul style="list-style-type: none"> • Straight connectors = 218 mm (8.58 in) • Right-angled connectors = 198 mm (7.79 in)
F	73 mm (2.87 in)
G	132 mm (5.2 in)

6.3 Axiom+ 9 and 12 trunnion mount dimensions

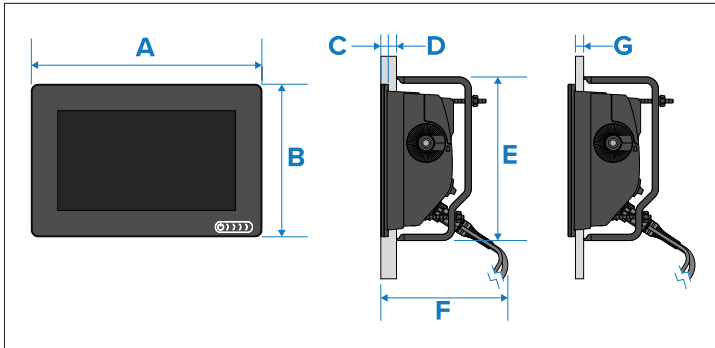


	Axiom+ 9	Axiom+ 12
A	265.03 mm (10.43 in)	314 mm (12.36 in)
B	187.81 mm (7.39 in)	226.72 mm (8.93 in)
C	76.71 mm (3.02 in)	76.2 mm (3 in)
D	65 mm (2.56 in)	65 mm (2.56 in)
E	<ul style="list-style-type: none"> • Straight connectors = 178 mm (7.01 in) • Right-angled connectors = 158 mm (6.22 in) 	<ul style="list-style-type: none"> • Straight connectors = 178 mm (7.01 in) • Right-angled connectors = 158 mm (6.22 in)

6.4 Axiom+ 9 and 12 surface and flush mount dimensions

Note:

The appearance of the brackets that are supplied with your display may differ from what is shown in the illustration below.



	Axiom+ 9	Axiom+ 12
A	244.08 mm (9.64 in)	314 mm (12.36 in)
B	157.78 mm (6.21 in)	217 mm (8.54 in)
C	8 mm (0.31 in)	8 mm (0.31 in)
D	27.05 mm (1.06 in) Maximum	27.05 mm (1.06 in) Maximum
E	157 mm (6.18 in)	222 mm (8.74 in)
F	178 mm (7.01 in)	178 mm (7.01 in)
G	19.05 mm (0.75 in) Maximum	19.05 mm (0.75 in) Maximum

CHAPTER 7: LOCATION REQUIREMENTS

CHAPTER CONTENTS

- 7.1 Warnings and cautions — page 34
- 7.2 General location requirements — page 34
- 7.3 EMC installation guidelines — page 34
- 7.4 RF interference — page 35
- 7.5 Compass safe distance — page 35
- 7.6 GNSS (GPS) location requirements — page 35
- 7.7 Touchscreen location requirements — page 36
- 7.8 Wireless location requirements for optimum performance — page 36
- 7.9 Viewing angle considerations — page 37

7.1 Warnings and cautions

Important:

Before proceeding, ensure that you have read and understood the warnings and cautions provided in the following section of this document:

- [p.9 — Important information](#)



Warning: Switch off power supply

Ensure that the vessel's power supply is switched OFF before starting to install this product. Do NOT connect or disconnect equipment with the power switched on, unless instructed to do so in this document.



Warning: Potential ignition source

This product is NOT approved for use in hazardous/flammable atmospheres. Do NOT install in a hazardous/flammable atmosphere (such as in an engine room or near fuel tanks).

Caution: Product weight

- Refer to the technical specification for your product to ensure the intended mounting surface is suitable to bear its weight.
- 2 people may be required for installation of larger / heavier products.

7.2 General location requirements

When selecting a location for your product it is important to consider a number of factors.

Factors for consideration:

- **Ventilation** — To ensure adequate airflow:
 - Ensure that product is mounted in a compartment of suitable size.

- Ensure that ventilation holes are not obstructed. Allow adequate separation of all equipment.

Any specific requirements for each system component are provided later in this chapter.

- **Mounting surface** — Ensure product is adequately supported on a secure surface. Do not mount units or cut holes in places which may damage the structure of the vessel.
- **Cabling** — Ensure the product is mounted in a location which allows proper routing, support and connection of cables:
 - Minimum bend radius of 100 mm (3.94 in) unless otherwise stated.
 - Use cable clips to prevent stress on connectors.
 - If your installation requires multiple ferrites to be added to a cable then additional cable clips should be used to ensure the extra weight of the cable is supported.
- **Water ingress** — The product is suitable for mounting both above and below decks. Although the unit is waterproof, it is good practice to locate it in a protected area away from prolonged and direct exposure to rain and salt spray.
- **Electrical interference** — Select a location that is far enough away from devices that may cause interference, such as motors, generators and radio transmitters / receivers.
- **Power supply** — Select a location that is as close as possible to the vessel's DC power source. This will help to keep cable runs to a minimum.

7.3 EMC installation guidelines

Raymarine equipment and accessories conform to the appropriate Electromagnetic Compatibility (EMC) regulations, to minimize electromagnetic interference between equipment and minimize the effect such interference could have on the performance of your system.

Correct installation is required to ensure that EMC performance is not compromised.

Note:

In areas of extreme EMC interference, some slight interference may be noticed on the product. Where this occurs the product and the source of the interference should be separated by a greater distance.

For **optimum** EMC performance we recommend that wherever possible:

- Raymarine equipment and cables connected to it are:
 - At least 1 m (3.28 ft) from any equipment transmitting or cables carrying radio signals e.g. VHF radios, cables and antennas. In the case of SSB radios, the distance should be increased to 2 m (6.6 ft).
 - More than 2 m (6.56 ft) from the path of a radar beam. A radar beam can normally be assumed to spread 20 degrees above and below the radiating element.
- The product is supplied from a separate battery from that used for engine start. This is important to prevent erratic behavior and data loss which can occur if the engine start does not have a separate battery.
- Raymarine specified cables are used.
- Cables are not cut or extended, unless doing so is detailed in the installation manual.

Note:

Where constraints on the installation prevent any of the **above recommendations**, always ensure the maximum possible separation between different items of electrical equipment, to provide the best conditions for EMC performance throughout the installation.

7.4 RF interference

Certain third-party external electrical equipment can cause Radio Frequency (RF) interference with GNSS (GPS), AIS or VHF devices, if the external equipment is not adequately insulated and emits excessive levels of electromagnetic interference (EMI).

Some common examples of such external equipment include LED lighting (e.g.: navigation lights, searchlights and floodlights, interior and exterior lights) and terrestrial TV tuners.

To minimize interference from such equipment:

- Keep it as far away from GNSS (GPS), AIS or VHF products and their antennas as possible.
- Ensure that any power cables for external equipment are not entangled with the power or data cables for these devices.
- Consider fitting one or more high frequency suppression ferrites to the EMI-emitting device. The ferrite(s) should be rated to be effective in the range 100 MHz to 2.5 GHz, and should be fitted to the power cable and any other cables exiting the EMI-emitting device, as close as possible to the position where the cable exits the device.

7.5 Compass safe distance

To prevent potential interference with the vessel's magnetic compasses, ensure an adequate distance is maintained from the product.

When choosing a suitable location for the product, you must aim to maintain a distance of **at least** 1 m (3.3 ft.) in all directions from any compasses.

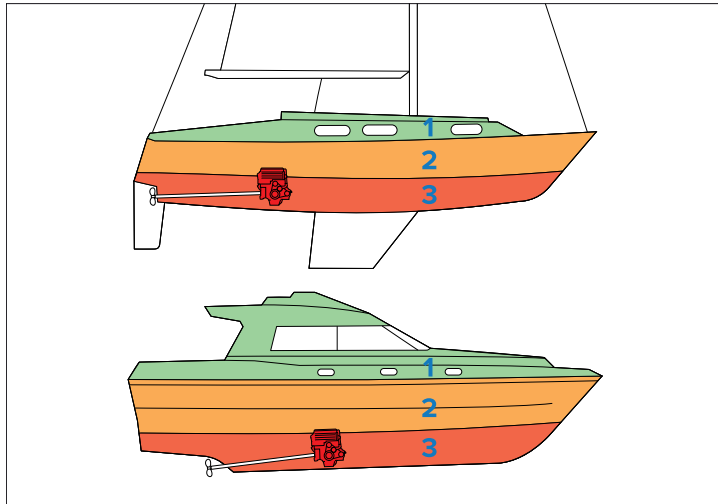
For some smaller vessels it may not be possible to locate the product this far away from a compass. In this situation, when choosing the installation location for your product, ensure that the compass is not affected by the product when it is in a powered on state.




7.6 GNSS (GPS) location requirements

In addition to general guidelines concerning the location of marine electronics, there are a number of environmental factors to consider when installing equipment with an internal GNSS (GPS) receiver.

Mounting location

- **Above Decks** (e.g. open air) mounting: Provides optimal performance. (For equipment with appropriate waterproof rating.)
- **Below Decks** (e.g. enclosed space) mounting: Performance may be less effective and may require an external antenna or receiver mounted above decks.



	Color	Location
1		This location provides optimal performance (above decks).
2		In this location, performance may be less effective.
3		This location is NOT recommended.

Vessel construction

The construction of your vessel can have an impact on performance. For example, the proximity of heavy structures such as a structural bulkhead, or the interior of larger vessels may result in a reduced signal. The construction materials can also have an impact. In particular, steel, aluminium or carbon surfaces can impact performance. Before locating equipment with an internal antenna below decks, or on a steel, aluminium or carbon construction vessel or surface, seek professional assistance.

Prevailing conditions

The weather and location of the vessel can affect performance. Typically calm clear conditions provide a more accurate position fix. Vessels at extreme northerly or southerly latitudes may also

receive a weaker signal. An antenna mounted below decks will be more susceptible to performance issues related to the prevailing conditions.

7.7 Touchscreen location requirements

Note:

Touchscreen performance can be affected by the installation environment, specifically Touchscreen displays installed above decks, where it will be open to the elements may exhibit the following:

- Hot Touchscreen temperature — If the display is mounted where it will be exposed to prolonged periods of direct sunlight, the touchscreen may become hot.
- Erroneous Touchscreen performance — Exposure to prolonged rain and / or water wash over may cause the display to respond to ‘false touches’, caused by the rain/water hitting the screen.

If, due to the required installation location, exposure to these elements is anticipated then it is recommended that you consider:

- Installing a remote keypad such as the RMK-10 and operating the display remotely — Touch-only displays.
- Locking the Touchscreen and using the physical buttons instead — HybridTouch displays.
- Attaching a third-party ‘display hood accessory’ to reduce direct sunlight exposure and the volume of water that the display is exposed to.

7.8 Wireless location requirements for optimum performance

All wireless devices in your system must be located in such a way that they can reliably receive and/or transmit wireless signals.

A number of factors can influence wireless performance. For example, physical obstacles and certain vessel structures and materials can all negatively impact wireless performance. Therefore, **it’s important to check a product’s wireless performance at the desired installation location before drilling any mounting holes.**

Vessel construction and materials

Wherever possible, mount products on surfaces constructed from GRP (e.g. fiberglass resin, or foam), or on dry wooden bulkheads.

Conductive materials in the signal path can have a significant impact on wireless signal performance. Reflective surfaces such as metal surfaces, some types of glass and even mirrors can drastically affect performance or even block the wireless signal. Installation locations that are in close proximity to these materials should be avoided. **Do NOT mount wireless products directly to conductive materials.** This includes any mounting surface or enclosure/pod. Examples of conductive materials include, but are not limited to:

- carbon fibre, kevlar, or aramid (including sails made from these materials)
- aluminium
- steel

In installations with conductive materials, if available, mount the wireless product using an accessory pole mount or deck mounting kit. A clearance of at least 10 cm (3.9 in) is required to minimize the ground effect from conductive materials. This applies to transmitters as well as displays. If moving the product fixes the problem, consider cutting an antenna clearance hole behind the unit (once the product position and mounting have been finalized).

Wireless performance can also be degraded in locations where the wireless signal passes through a bulkhead containing power cables. Crew members (especially when wet) can also be obstructive to wireless signals, if their bodies pass through the signal area between wireless sensor and any associated displays.

Checking and optimizing signal strength

It may be necessary to experiment with the location of your wireless products to achieve optimal wireless performance and a clear signal path.

The distance between wireless products should always be kept to a minimum. Do not exceed the maximum stated range of your wireless product (maximum range will vary for each device).

Wireless performance degrades over distance, so products farther away will receive less network bandwidth. Products installed close to their maximum wireless range may experience slow connection speeds, signal dropouts, or not being able to connect at all.

For best results, the wireless product should have a clear, direct line-of-sight to the product it will be connected to. Any physical obstructions can degrade or even block the wireless signal. Some wireless products feature a signal strength indicator to assist in the process of determining the location with the best wireless performance. Choose the location with the highest and most consistently strong direct signal reading, during a 5 minute monitoring period. Try alternative locations for the transmitter to maximize the signal strength to the displays; e.g. try locations below a hatch or skylight or near to a window. A small change in product position can result in a significant change in the signal strength.

Note:

Some wireless products (e.g. a Hull Transmitter) will not transmit data unless a transducer is connected. Also consider that an NMEA or SeaTalk NG product (e.g. an interface) will not transmit data unless an appropriate data source is connected.

Interference and other equipment

Interference from other people's wireless devices can cause interference with your products. You can use a third-party wireless analyzer tool / smartphone app to assess the best wireless channel to use (e.g. a channel not in use or one used by the least number of devices).

Wireless products should be installed at least 1 m (3 ft) away from:

- Other wireless-enabled products
- Transmitting products that send wireless signals in the same frequency range
- Other electrical, electronic or electromagnetic equipment that may generate interference.

Software updates

It's also important to ensure all your wireless products are running the latest software versions, as improvements are made over time to wireless performance.

7.9 Viewing angle considerations

As display contrast and color are affected by the viewing angle, before choosing the mounting position of your display, it is recommended that you temporarily power up the display (prior to

installation) and experiment with different installation locations, to enable you to best judge which location provides the optimum viewing angle for your specific installation.

For viewing angles for your product, refer to the *Technical specification*.

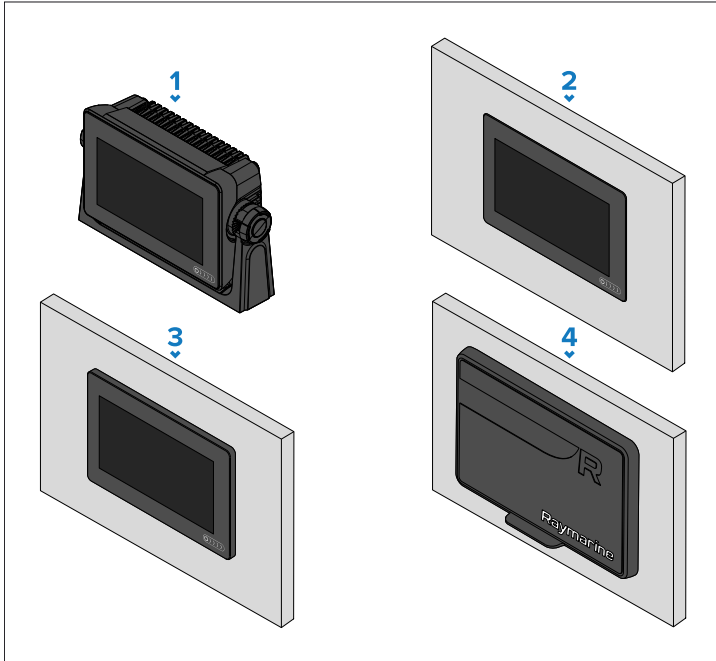
CHAPTER 8: MOUNTING OPTIONS

CHAPTER CONTENTS

- [8.1 Mounting options — page 40](#)

8.1 Mounting options

Several mounting options are available.



1. Trunnion mounting (used for mounting upright on a surface, or can be used for mounting overhead). For installation details, refer to: [p.41 — Trunnion bracket mounting](#)
2. Flush mounting (when flush mounted the front glass of the display will sit flush with the mounting surface). For installation details, refer to: [p.49 — Flush mounting](#)
3. Surface mounting (when surface mounted the display bezel will protrude from the mounting surface). For installation details, refer to: [p.44 — Surface mounting](#)
4. Front mounting — via the 'Front installation kit' accessory: 7"; A80498, 9"; A80500, 12"; A80502 (used to surface mount the display when access to the rear of the mounting surface is restricted). For installation details, refer to the documentation supplied with each installation kit.

Legacy MFD adaptor plates are also available to enable you to easily swap out older MFDs for new Axiom+ MFDs. For a list of available adaptors, refer to: [p.107 — Legacy MFD adaptor plates](#)

CHAPTER 9: TRUNNION MOUNTING

CHAPTER CONTENTS

- 9.1 Parts required (trunnion mount installations) — page 42
- 9.2 Tools required (trunnion mount installations) — page 42
- 9.3 Trunnion bracket mounting — page 43

9.1 Parts required (trunnion mount installations)

The following parts are required to trunnion mount the display.

Part	Axiom+ 7	Axiom+ 9 / 12
Trunnion adaptor	•	
Trunnion bracket	•	•
(1) Self tapping screws	•	•

Note:

(1) Self tapping screw requirements will vary depending which Axiom+ display size variant you are attempting to install:

- **Axiom+ 7 display:** Requires 4x self tapping screws — suitable for the mounting surface material and the 4.20 mm (0.17 in) diameter trunnion bracket mounting holes.

- **Axiom+ 9 / 12 display:** Requires 5x self tapping screws — suitable for the mounting surface material and the 5.75 mm (0.23 in) diameter trunnion bracket mounting holes.

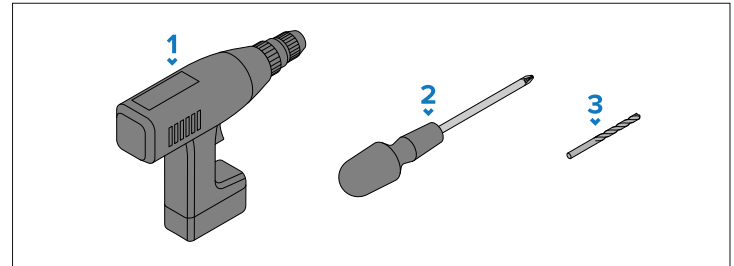
Note:

If you wish to trunnion mount your display and the required parts are NOT supplied with your product, refer to the following section:

- [p.105 — Spares and accessories](#)

9.2 Tools required (trunnion mount installations)

The following tools are recommended for mounting using a trunnion bracket:

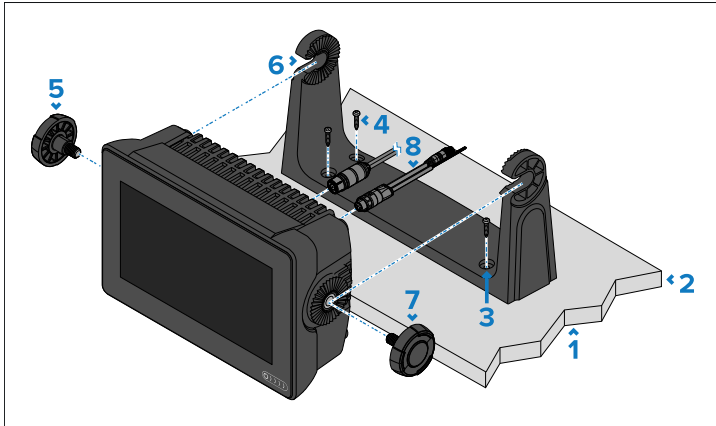


1. Power drill.
2. Screwdriver — appropriate for your fixings.
3. Drill bit — suitable for the material of the mounting surface and the following trunnion bracket mounting hole diameters:
 - **Axiom+ 7 display:** 4.2 mm (0.17 in).
 - **Axiom+ 9 / 12 display:** 5.75 mm (0.23 in).

9.3 Trunnion bracket mounting

Your display can be trunnion mounted to a horizontal or overhead surface.

Ensure you have chosen a suitable mounting location for your display, which has sufficient head room to allow the display's angle to be adjusted or the display to be removed if necessary. If installing 'above head' take extra care to ensure the knobs are tightened sufficiently to prevent them coming undone due to vibration when underway.



Note:

The above illustration depicts an Axiom+ 7 being mounted on a plastic trunnion bracket. The trunnion bracket supplied with the Axiom+ 9 and Axiom+ 12 are made from metal, and so will look different from the example shown. A metal trunnion bracket is also available for the Axiom+ 7 as an accessory — part number: R70524.

1. Check the underside of the mounting surface to ensure no damage will be caused by drilling.
2. Check the thickness of the mounting surface to ensure it is sufficient to support the display.
3. Using the trunnion bracket as a template, mark and drill each pilot hole on the mounting surface.
4. Secure the trunnion bracket to the mounting surface using your self tapping screws and an appropriate screwdriver.

If the mounting surface is too thin for the self tapping screws, use stainless steel machine screws, washers and locking nuts to secure the trunnion bracket to the mounting surface. Alternatively, look to reinforce the rear of the mounting surface.

5. Insert the trunnion knobs into the sides of the display and partially tighten.
6. Slide the display into the trunnion bracket so that the trunnion knob threads are slotted into the recesses in the trunnion bracket.
7. Secure the display by fully tightening the trunnion knobs, ensuring that the ratchet teeth are correctly engaged.

The knobs should be tightened by hand, sufficiently to prevent the display from moving whilst your vessel is underway.

8. Route and connect necessary cables.

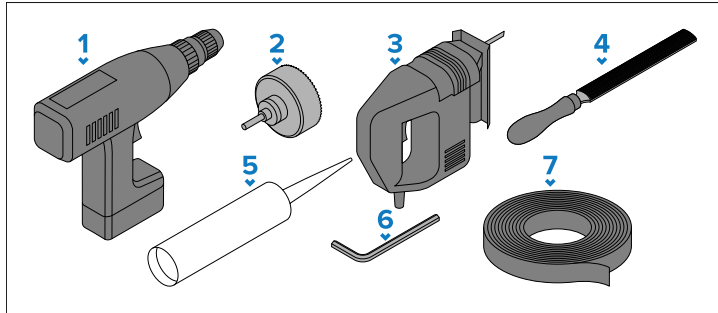
CHAPTER 10: SURFACE MOUNTING

CHAPTER CONTENTS

- 10.1 Tools required (surface mount installations) — page 45
- 10.2 Rear access requirements — page 45
- 10.3 Preparing the mounting surface — surface mounting — page 45
- 10.4 Surface mount installation methods — page 46

10.1 Tools required (surface mount installations)

The following tools are recommended for surface mount installations:



1. Power drill.
2. Hole cutter (appropriate size for corner diameters of the **Cut out** line identified on the supplied mounting template):
 - 20.00 mm (0.79 in) — 7" and 12" displays.
 - 24.00 mm (0.94 in) — 9" displays.
3. Jigsaw.
4. Half round file (or sandpaper).
5. Marine grade sealant.
6. (H) 4 mm Hex wrench (Allen key).
7. Masking/self adhesive tape.

Note:

(H) This item is only required when mounting an Axiom+ 7 display.

10.2 Rear access requirements

Access to the rear of the display and mounting surface is required to surface and flush mount the display.

Ensure there is sufficient access and space behind the mounting surface to attach and tighten the fixings and also to connect the cables.

10.3 Preparing the mounting surface — surface mounting

Surface mounting requires one cut out hole. When the display is surface mounted the glass/bezel will protrude from the mounting surface.

Note:

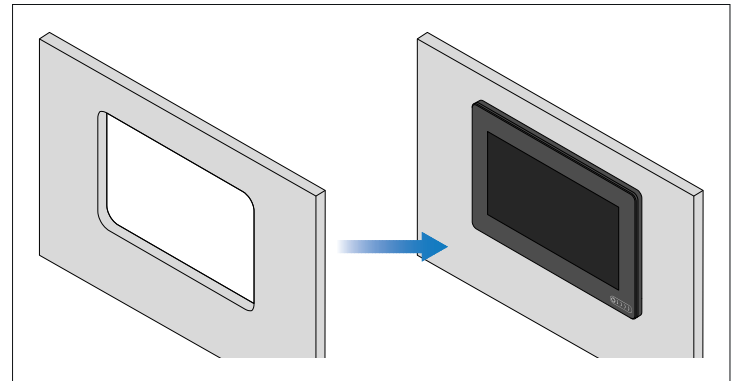
The following procedure is for preparing the mounting surface for surface mount installations. For flush mounting details refer to:

- [p.50 — Preparing the mounting surface — flush mounting](#)

Important:

Before preparing the mounting surface ensure that:

- Your selected location meets the location requirements. For details refer to:
 - [p.33 — Location requirements](#)
- You have identified cable connections and the route that the cables will take.



1. Mark the **cutout** line on the mounting surface, as identified on the supplied mounting template.
2. Use a drill and an appropriate size drill bit or hole cutter to cut out the corners of the **Cutout** line.

The corner diameters for the displays are:

- 20.00 mm (0.79 in) — 7" and 12" displays.
- 24.00 mm (0.94 in) — 9" displays.

3. Use a jigsaw or similar cutting tool to cut out the remainder of the cutout area.
4. Use a half round file and/or sandpaper to smooth and rough edges or burs on the cutout hole.

10.4 Surface mount installation methods

The surface mount installation methods that are available to you may vary depending on:

- The size of your display, AND:
- The parts that have been supplied with your product / purchased separately.

The following surface mount installation methods are available for **Axiom+ 7** displays:

Method	Link
Trunnion adaptor:	p.52 — Flush mounting using the trunnion adaptor (Axiom+ 7 only)
Rear mounting kit:	p.53 — Flush mounting using the rear mounting kit

Note:

Before attempting to flush or surface mount an Axiom+ 7 display, the pre-fitted trunnion adaptor must first be removed from the rear of the unit. For more information, refer to:

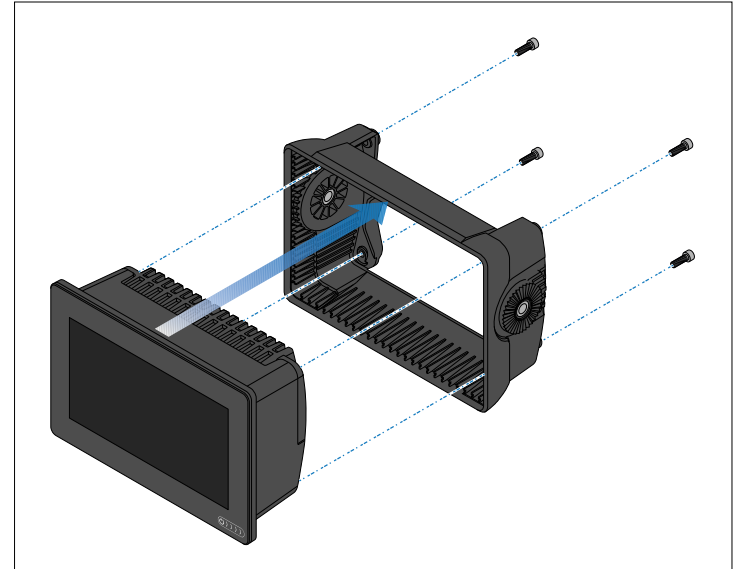
- [p.46 — Removing the trunnion adaptor \(Axiom+ 7 only\)](#)

The following surface mount installation methods are available for **Axiom+ 9 / 12** displays:

Method	Link
Rear mounting kit:	p.53 — Flush mounting using the rear mounting kit

Removing the trunnion adaptor (Axiom+ 7 only)

Before attempting to flush or surface mount an Axiom+ 7 display, the pre-fitted trunnion adaptor must first be removed from the rear of the unit.



In order to remove the pre-fitted trunnion adaptor:

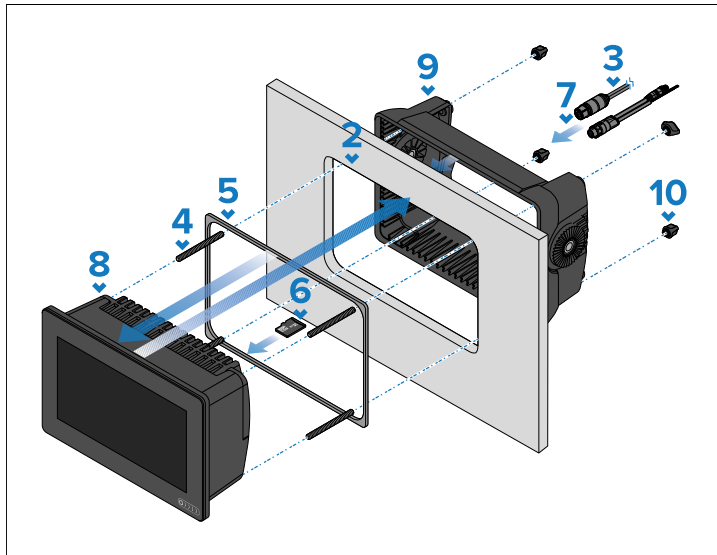
1. Unscrew and remove the 4x M5x16 screws using a 4 mm hex wrench (Allen key).
2. Pull the trunnion adaptor away from the rear of the display.

Surface mounting using the trunnion adaptor (Axiom+ 7 only)

The following steps will provide instructions on how to surface mount the Axiom+ 7 using the pre-fitted trunnion adaptor (supplied with all Axiom+ 7 display variants).

Important:

- The supplied gasket provides a seal between the display and a suitably flat and rigid mounting surface or binnacle. **The gasket should be used in all installations.** It may also be necessary to use a marine-grade sealant if the mounting surface or binnacle is not entirely flat and/or has a rough surface finish.
- In above decks installations, marine-grade sealant should always be used to seal the gap between the edge of the mounting surface and the edge of the display.



1. Ensure that the pre-fitted trunnion adaptor has been removed from the rear of the display in accordance with the instructions found under the following section:
 - [p.46 – Removing the trunnion adaptor \(Axiom+ 7 only\)](#)

2. Ensure that the mounting surface has been prepared for surface mounting in accordance with the instructions found under the following section:
 - [p.45 – Preparing the mounting surface – surface mounting](#)
3. Route the relevant cables to behind the mounting surface cut out.
This may be difficult or not possible once the display has been mounted.
4. Screw the 4 x supplied M5x8 threaded studs into the rear of the display.
5. Remove the backing from the supplied gasket and place the sticky side of the gasket onto the flange on the rear of the display. Press firmly onto the flange.
6. If required, insert your MicroSD card into the card reader which is located behind the rubber bung on the rear of the display.
7. Connect the relevant cables to the rear of the display.
8. Slide the display into the cutout area.
9. Place the trunnion adaptor over the rear of the display.
10. Secure the display in position by placing the 4x supplied M5 thumb nuts onto the threaded studs and then hand-tightening until secure.

Important:

To prevent potential damage to the unit, do NOT overtighten the thumb nuts. Hand tighten only.

Surface mounting using the rear mounting kit

The following steps will provide instructions on how to surface mount the display using the rear mounting kit (supplied with select Axiom+ 7 display variants and all Axiom+ 9 / 12 display variants).

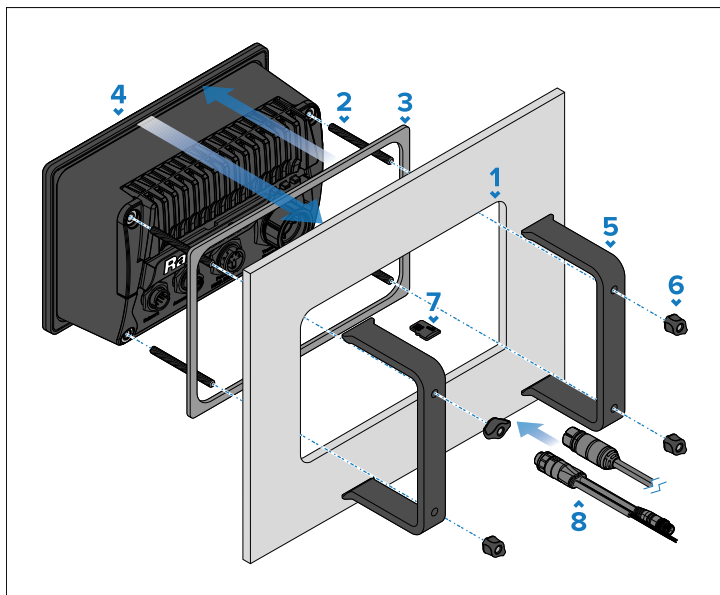
Note:

(Axiom+ 7 only) If you wish to surface mount your Axiom+ 7 display using the rear mounting kit and the required parts are NOT supplied with your product, refer to the following section:

- [p.105 – Spares and accessories](#)

Important:

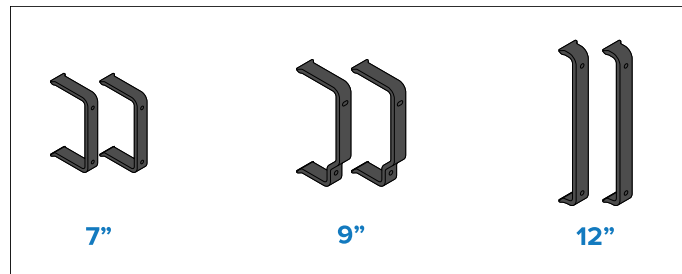
- The supplied gasket provides a seal between the display and a suitably flat and rigid mounting surface or binnacle. **The gasket should be used in all installations.** It may also be necessary to use a marine-grade sealant if the mounting surface or binnacle is not entirely flat and/or has a rough surface finish.
- In above decks installations, marine-grade sealant should always be used to seal the gap between the edge of the mounting surface and the edge of the display.



1. **(Axiom+ 7 only)** Ensure that the pre-fitted trunnion adaptor has been removed from the rear of the display in accordance with the instructions found under the following section:
 - [p.46 – Removing the trunnion adaptor \(Axiom+ 7 only\)](#)
2. Ensure that the mounting surface has been prepared for surface mounting in accordance with the instructions found under the following section:
 - [p.45 – Preparing the mounting surface – surface mounting](#)

3. Route the relevant cables to behind the mounting surface cut out.
This may be difficult or not possible once the display has been mounted.
4. Screw the 4 x supplied M5x58 threaded studs into the rear of the display.
5. Remove the backing from the supplied gasket and place the sticky side of the gasket onto the flange on the rear of the display. Press firmly onto the flange.
6. If required, insert your MicroSD card into the card reader which is located behind the rubber bung on the rear of the display.
7. Connect the relevant cables to the rear of the display.
8. Slide the display into the cutout area.
9. Place the rear mounting brackets over the threaded studs.

The appearance of the brackets which are supplied with your display may differ from that shown, due to the differences in size between each of the Axiom+ 7 9 & 12 variants. However, the installation procedure will remain the same.



10. Secure the display in position by placing the 4x supplied M5 thumb nuts onto the threaded studs and then hand-tightening until secure.

Important:

To prevent potential damage to the unit, do NOT overtighten the thumb nuts. Hand tighten only.

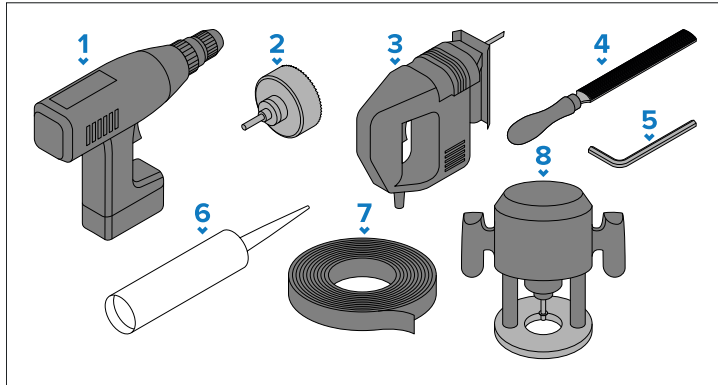
CHAPTER 11: FLUSH MOUNTING

CHAPTER CONTENTS

- 11.1 Tools required (flush mount installations) — page 50
- 11.2 Rear access requirements — page 50
- 11.3 Preparing the mounting surface — flush mounting — page 50
- 11.4 Flush mount installation methods — page 51

11.1 Tools required (flush mount installations)

The following tools are recommended for flush mount installations:



1. Power drill.
2. Hole cutter (appropriate size for corner diameters of the **Cut out** line identified on the supplied mounting template):
 - 20.00 mm (0.79 in) — 7" and 12" displays.
 - 24.00 mm (0.94 in) — 9" displays.
3. Jigsaw.
4. Half round file (or sandpaper).
5. ⁽¹⁾ 4 mm Hex wrench (Allen key).
6. Marine grade sealant.
7. Masking/self adhesive tape.
8. Hand router with a router bit an appropriate size for the 13.00 mm (0.51 in) corner diameter required for the flush mount rebate.

Note:

⁽¹⁾ This item is only required when mounting an Axiom+ 7 display.

11.2 Rear access requirements

Access to the rear of the display and mounting surface is required to surface and flush mount the display.

Ensure there is sufficient access and space behind the mounting surface to attach and tighten the fixings and also to connect the cables.

11.3 Preparing the mounting surface — flush mounting

Flush mounting requires the same cut out hole as surface mounting and an additional rebate around the edge of the cut out. When the display is flush mounted, the glass will be flush with the mounting surface.

Note:

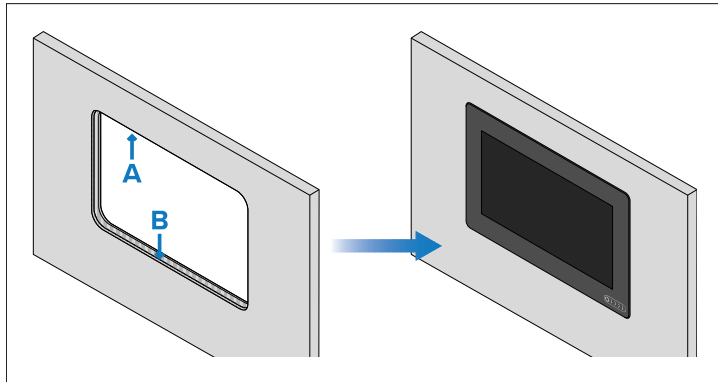
The following procedure is for preparing the mounting surface for flush mount installations. For surface mounting details refer to:

- [p.50 — Preparing the mounting surface — surface mounting](#)

Important:

Before preparing the mounting surface ensure that:

- Your selected location meets the location requirements. For details refer to:
 - [p.33 — Location requirements](#)
- You have identified cable connections and the route that the cables will take.



- **A** — Cutout (when flush mounting the cut out will be the same size as for surface mounting).
- **B** — Flush mounting requires an extra rebate to recess the display fully in the mounting surface.

1. Mark the **cutout** line on the mounting surface, as identified on the supplied mounting template.
2. Mark on the mounting surface the **Flush mount rebate** line, as identified on the supplied mounting template.
3. Use a drill and an appropriate size drill bit or hole cutter to cut out the corners of the **Cutout** line.

The corner diameter for each display is:

- 20.00 mm (0.79 in) — 7" and 12" displays.
- 24.00 mm (0.94 in) — 9" displays.

4. Use a jigsaw or similar cutting tool to cut out the remainder of the **Cutout** area.
5. Use a router hand tool to recess the marked **Flush mount rebate** area, to a depth of 8.00 mm (0.31 in).
6. Carefully (and temporarily) fit the display to the cutout area, to check for a good fit. **Do not use any fixings at this time.** If the fit is very tight, it may be necessary to remove the display and file the edges of the cutout to achieve a better fit, using a half round file and/or sandpaper. Alternatively, if the fit is loose and there is a visible gap between the edge of the display and the cutout, this will need to be filled with marine-grade sealant or suitable packing material to fill the gap. *This should only be done once the display has been secured to the surface using the fixings, as described in the next mounting procedure.*

Flush mounting

11.4 Flush mount installation methods

The flush mount installation methods that are available to you may vary depending on:

- The size of your display, AND:
- The parts that have been supplied with your product / purchased separately.

The following flush mount installation methods are available for **Axiom+ 7** displays:

Method	Link
Trunnion adaptor:	p.52 — Flush mounting using the trunnion adaptor (Axiom+ 7 only)
Rear mounting kit:	p.53 — Flush mounting using the rear mounting kit

Note:

Before attempting to flush or surface mount an Axiom+ 7 display, the pre-fitted trunnion adaptor must first be removed from the rear of the unit. For more information, refer to:

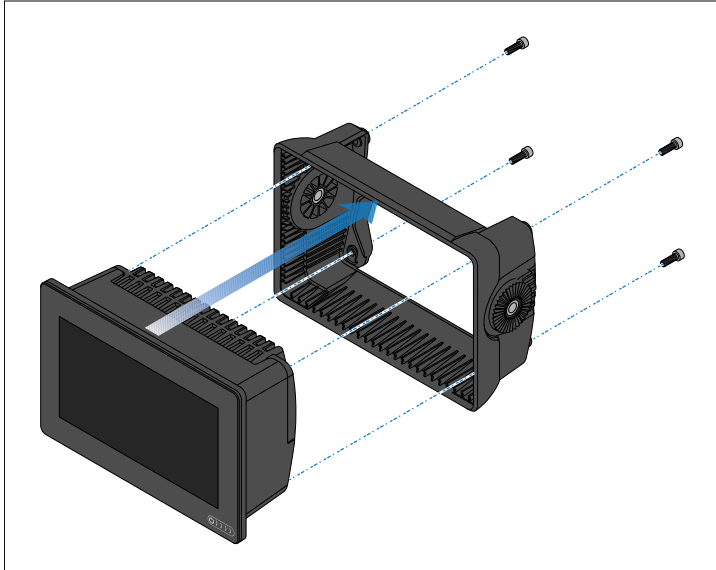
- [p.52 — Removing the trunnion adaptor \(Axiom+ 7 only\)](#)

The following flush mount installation methods are available for **Axiom+ 9 / 12** displays:

Method	Link
Rear mounting kit:	p.53 — Flush mounting using the rear mounting kit

Removing the trunnion adaptor (Axiom+ 7 only)

Before attempting to flush or surface mount an Axiom+ 7 display, the pre-fitted trunnion adaptor must first be removed from the rear of the unit.



In order to remove the pre-fitted trunnion adaptor:

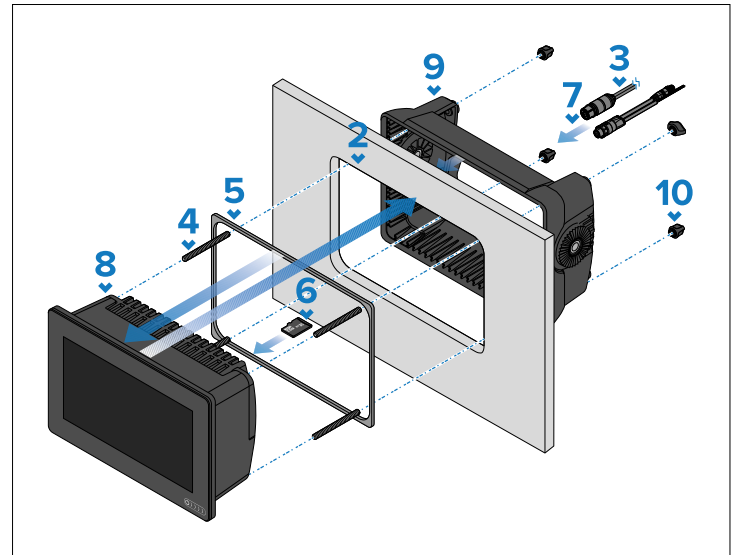
1. Unscrew and remove the 4x M5x16 screws using a 4 mm hex wrench (Allen key).
2. Pull the trunnion adaptor away from the rear of the display.

Flush mounting using the trunnion adaptor (Axiom+ 7 only)

The following steps will provide instructions on how to flush mount the Axiom+ 7 using the pre-fitted trunnion adaptor (supplied with all Axiom+ 7 display variants).

Important:

- The supplied gasket provides a seal between the display and a suitably flat and rigid mounting surface or binnacle. **The gasket should be used in all installations.** It may also be necessary to use a marine-grade sealant if the mounting surface or binnacle is not entirely flat and/or has a rough surface finish.
- In above decks installations, marine-grade sealant should always be used to seal the gap between the edge of the mounting surface and the edge of the display.



1. Ensure that the pre-fitted trunnion adaptor has been removed from the rear of the display in accordance with the instructions found under the following section:
 - [p.52 – Removing the trunnion adaptor \(Axiom+ 7 only\)](#)

2. Ensure that the mounting surface has been prepared for flush mounting in accordance with the instructions found under the following section:
 - [p.50 — Preparing the mounting surface — flush mounting](#)
3. Route the relevant cables to behind the mounting surface cut out.
This may be difficult or not possible once the display has been mounted.
4. Screw the 4 x supplied M5x58 threaded studs into the rear of the display.
5. Remove the backing from the supplied gasket and place the sticky side of the gasket onto the flange on the rear of the display. Press firmly onto the flange.
6. If required, insert your MicroSD card into the card reader which is located behind the rubber bung on the rear of the display.
7. Connect the relevant cables to the rear of the display.
8. Slide the display into the cutout area.
9. Place the trunnion adaptor over the rear of the display.
10. Secure the display in position by placing the 4x supplied M5 thumb nuts onto the threaded studs and then hand-tightening until secure.

Important:

To prevent potential damage to the unit, do NOT overtighten the thumb nuts. Hand tighten only.

Flush mounting using the rear mounting kit

The following steps will provide instructions on how to flush mount the display using the rear mounting kit (supplied with select Axiom+ 7 display variants and all Axiom+ 9 / 12 display variants).

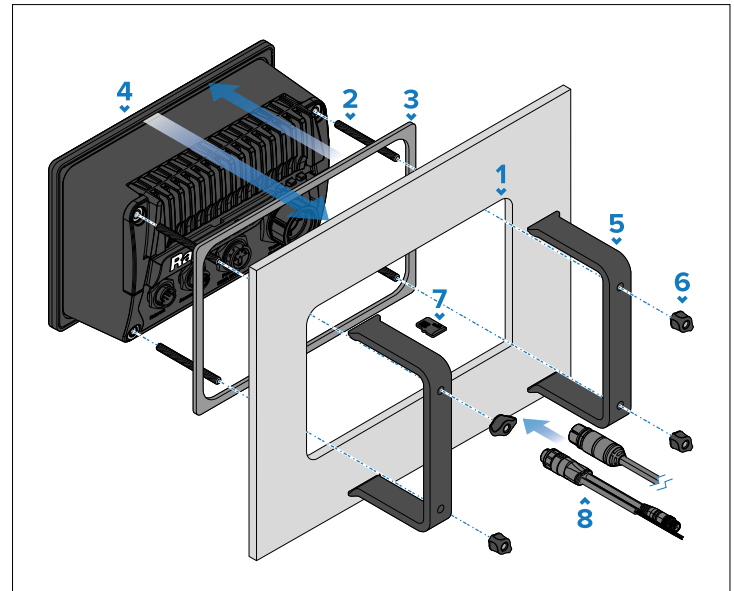
Note:

(Axiom+ 7 only) If you wish to flush mount your Axiom+ 7 display using the rear mounting kit and the required parts are NOT supplied with your product, refer to the following section:

- [p.105 — Spares and accessories](#)

Important:

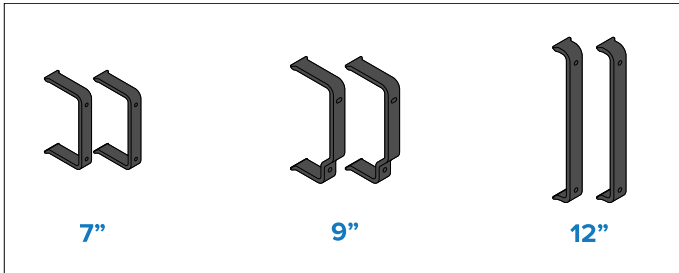
- The supplied gasket provides a seal between the display and a suitably flat and rigid mounting surface or binnacle. **The gasket should be used in all installations.** It may also be necessary to use a marine-grade sealant if the mounting surface or binnacle is not entirely flat and/or has a rough surface finish.
- In above decks installations, marine-grade sealant should always be used to seal the gap between the edge of the mounting surface and the edge of the display.



1. **(Axiom+ 7 only)** Ensure that the pre-fitted trunnion adaptor has been removed from the rear of the display in accordance with the instructions found under the following section:
 - [p.52 — Removing the trunnion adaptor \(Axiom+ 7 only\)](#)
2. Ensure that the mounting surface has been prepared for flush mounting in accordance with the instructions found under the following section:
 - [p.50 — Preparing the mounting surface — flush mounting](#)

3. Route the relevant cables to behind the mounting surface cut out.
This may be difficult or not possible once the display has been mounted.
4. Screw the 4 x supplied M5x58 threaded studs into the rear of the display.
5. Remove the backing from the supplied gasket and place the sticky side of the gasket onto the flange on the rear of the display. Press firmly onto the flange.
6. If required, insert your MicroSD card into the card reader which is located behind the rubber bung on the rear of the display.
7. Connect the relevant cables to the rear of the display.
8. Slide the display into the cutout area.
9. Place the rear mounting brackets over the threaded studs.

The appearance of the brackets which are supplied with your display may differ from that shown, due to the differences in size between each of the Axiom+ 7 9 & 12 variants. However, the installation procedure will remain the same.



10. Secure the display in position by placing the 4x supplied M5 thumb nuts onto the threaded studs and then hand-tightening until secure.

Important:

To prevent potential damage to the unit, do NOT overtighten the thumb nuts. Hand tighten only.

CHAPTER 12: CABLES AND CONNECTIONS — GENERAL INFORMATION

CHAPTER CONTENTS

- [12.1 General cabling guidance — page 56](#)
- [12.2 Connections overview — page 57](#)

12.1 General cabling guidance

Cable types and length

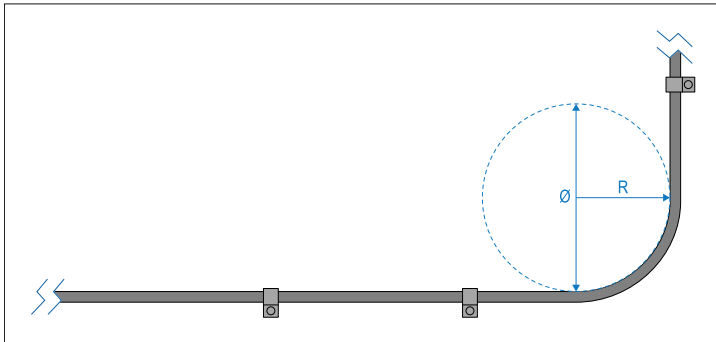
It is important to use cables of the appropriate type and length.

- Unless otherwise stated only use cables supplied by Raymarine.
- Where it is necessary to use non-Raymarine cables, ensure that they are of correct quality and gauge for their intended purpose. (e.g.: longer power cable runs may require larger wire gauges to minimize voltage drop along the run).

Cable routing and bend radius

To maximize cable performance and lifespan, it's important to ensure that all cables are routed correctly and adequate space is provided to allow for each cable's minimum bend radius.

Minimum cable bend radius



Do NOT bend cables excessively. Wherever possible, ensure that your chosen product installation location allows enough clearance for the minimum cable bend diameter specified in the following table:

	Description	Value
Ø	Cable minimum bend diameter .	200 mm (7.87 in.)
R	Cable minimum bend radius .	100 mm (3.94 in.)

Note:

For products where multiple different cable types are connected, each with a different minimum cable bend radius, the higher figure is provided in the table above (i.e. the cable with the greatest minimum bend radius is specified).

Cable routing — best practices

- Protect all cables from physical damage and exposure to heat. Use trunking or conduit where possible. Do NOT run cables through bilges or doorways, or close to moving or hot objects.
- Secure cables in place using cable clips or cable ties. Coil any excess cable and tie it out of the way.
- Where a cable passes through an exposed bulkhead or deckhead, use a suitable watertight feed-through (conduit).
- Do NOT run cables near to engines or fluorescent lights.
- Always route data cables as far away as possible from:
 - Other equipment and cables.
 - High current-carrying AC and DC power lines.
 - Antennas.

Strain relief

Use adequate strain relief for cabling to ensure that connectors are protected from strain and will not pull out under extreme sea conditions.

Circuit isolation

Appropriate circuit isolation is required for installations using both AC and DC current:

- Always use isolating transformers or a separate power-inverter to run PCs, processors, displays and other sensitive electronic instruments or devices.
- If using Weather FAX audio cables, always use an isolating transformer.
- If using a third-party audio amplifier, always use an isolated power supply.
- If using an RS232/NMEA converter, always ensure optical isolation on the signal lines.

- Always ensure that PCs or other sensitive electronic devices have a dedicated power circuit.

Cable shielding

Ensure that cable shielding is not damaged during installation and that all cables are properly shielded.

Important:

Be aware that some **third-party** cables and adapters (for example, certain Ethernet cables using RJ45 connectors) are not always shielded. To prevent breaks in cable shielding continuity and potential grounding issues, special attention is required to ensure that any cables, extension cables, adapters, or other signal-coupling devices used in cable runs **maintain all shield connections throughout the cable run.**

Caution: Transducer cable

- Do NOT use the transducer cable to lift or suspend the transducer; always support the transducer body directly during installation.
 - Do NOT cut, shorten, or splice the transducer cable.
 - Do NOT remove the connector.
- If the cable is cut, it cannot be repaired. Cutting the cable will also void the warranty.

Connecting cables

Follow the steps below to connect the cable(s) to your product.

1. Ensure that the vessel's power supply is switched off.
2. Ensure that the device being connected has been installed in accordance with the installation instructions supplied with that device.
3. Ensuring correct orientation, push cable connectors fully onto the corresponding connectors.
4. Engage any locking mechanism to ensure a secure connection (e.g.: turn locking collars clockwise until tight, or in the locked position).
5. Ensure any bare ended wire connections are suitably insulated to prevent shorting and corrosion due to water ingress.

Bare-ended wire connections

You must ensure that any bare-ended wires are adequately protected from short circuit and water ingress.

Bare-ended wire connections

It is recommended that bare-ended wire connections are made by soldering or using crimp connectors, and then protected by wrapping the connection in electrical insulation tape.

Unused bare-ended wires

Any unused bare-ended wires should be folded back and wrapped in electrical insulation tape.

12.2 Connections overview



1. **MicroSD card reader** — Connects to a MicroSDXC memory card.
2. **Optional grounding point** — The optional grounding point should **only** be used when the display experiences touchscreen or power swipe interference from nearby equipment. For more information, refer to: [p.63 — Grounding — optional dedicated drain wire](#)
3. **Network** — Connects to a RayNet network or device. For more information, refer to: [p.72 — Network connection](#)

4. **Accessory** — Connects to an external card reader, such as the RCR-SD/USB (part number A80440). For more information, refer to: [p.76 — Accessory connection](#)
5. **Power / NMEA 2000** — Connects to a 12 V dc power supply and an NMEA 2000 (or SeaTalk NG™) backbone. For more information, refer to:
 - [p.60 — Power connection](#)
 - [p.71 — NMEA 2000 / SeaTalk NG connection](#)
6. ⁽¹⁾ **Transducer (Sonar Only)** — Connects to a compatible RealVision 3D transducer (or other compatible transducers via the use an adaptor cable). For more information, refer to: [p.65 — Transducer connections](#)

Note:

⁽¹⁾ This connector is ONLY available on Axiom+ display variants which feature a built-in sonar module. Axiom+ Chartplotter display variants must be connected to a separate sonar module in order for sonar features to be enabled.

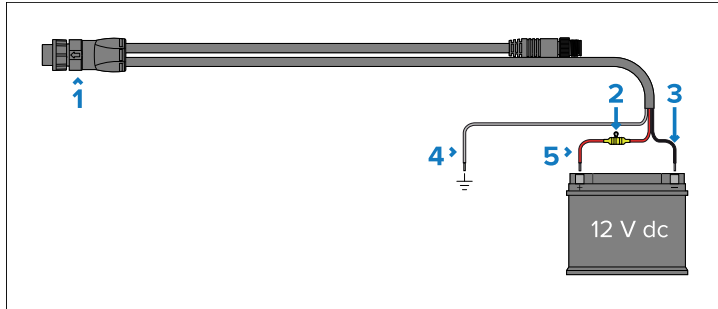
CHAPTER 13: POWER CONNECTIONS

CHAPTER CONTENTS

- [13.1 Power connection — page 60](#)

13.1 Power connection

The power cable must be connected to a 12 V dc power supply, this can be achieved by connecting directly to a battery, or via the distribution panel. For 24 V vessels a suitable voltage converter is required. The product is protected against reverse polarity.



Description

- 1** Power / NMEA 2000 cable — connects to the rear of the display.
- 2** Waterproof fuse holder containing a suitably-rated inline fuse (**not supplied**), which must be fitted to the red positive wire — for fuse ratings, refer to:
 - [p.60 — Inline fuse and thermal breaker ratings](#)
- 3** Black wire (negative) — connects to the power supply's negative terminal.
- 4** Gray wire (ground) — connects to the vessel's RF ground point (if available), or the negative battery terminal.
- 5** Red wire (positive) — connects to the power supply's positive terminal.

Inline fuse and thermal breaker ratings

The following inline fuse and thermal breaker ratings apply to your product:

Inline fuse rating	Thermal breaker rating
7A	7A

Important:

The suitable fuse rating for the thermal breaker is dependent on the number of devices you are connecting. If in doubt, consult an authorized Raymarine dealer.

Caution: Power supply protection

When installing this product, ensure that the power source is adequately protected by means of a suitably-rated fuse or thermal circuit breaker.

Power distribution

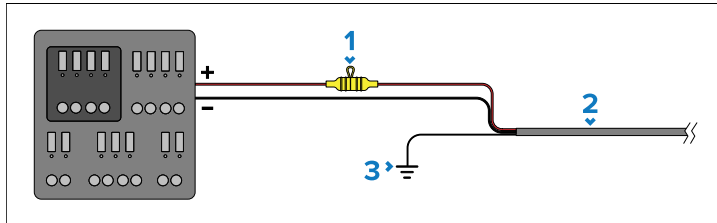
Recommendations and best practice for the power connection of products supplied with a drain wire as part of the supplied power cable.

- The product is supplied with a power cable, either as a separate item or a captive cable permanently attached to the product. Only use the power cable supplied with the product. Do NOT use a power cable designed for, or supplied with, a different product.
- Refer to the *Power connection* section for more information on how to identify the wires in your product's power cable, and where to connect them.
- See below for more information on implementation for some common power distribution scenarios:

Important:

- When planning and wiring, take into consideration other products in your system, some of which (e.g. sonar modules) may place large power demand peaks on the vessel's electrical system, which may impact the voltage available to other products during the peaks.
- The information provided below is for guidance only, to help protect your product. It covers common vessel power arrangements, but does NOT cover every scenario. If you are unsure how to provide the correct level of protection, please consult an authorized dealer or a suitably qualified professional marine electrician.

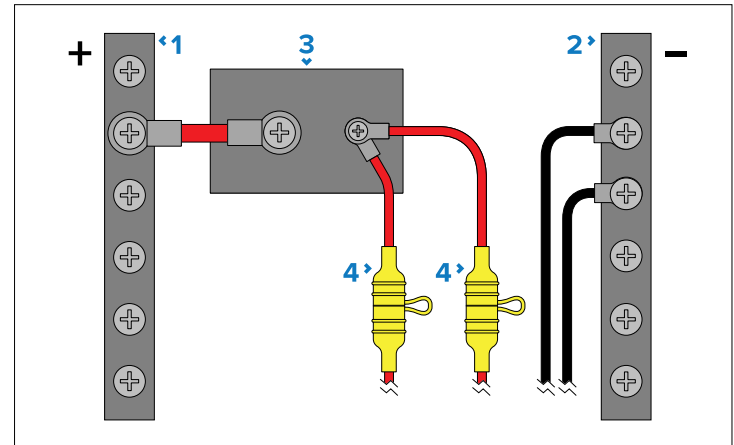
Implementation — connection to distribution panel (Recommended)



Description

- 1 Waterproof fuse holder containing a suitably-rated inline fuse must be fitted. For suitable fuse rating, refer to: *Inline fuse and thermal breaker ratings*.
- 2 Product power cable.
- 3 Drain wire connection point.

- It is recommended that the supplied power cable is connected to a suitable breaker or switch on the vessel's distribution panel or factory-fitted power distribution point.
- The distribution point should be fed from the vessel's primary power source by 8 AWG (8.36 mm²) cable.
- Ideally, all equipment should be wired to individual suitably-rated thermal breakers or fuses, with appropriate circuit protection. Where this is not possible and more than 1 item of equipment shares a breaker, use individual inline fuses for each power circuit to provide the necessary protection.
- The power cable supplied with your product includes a drain wire, which must be connected to the vessel's common RF ground.



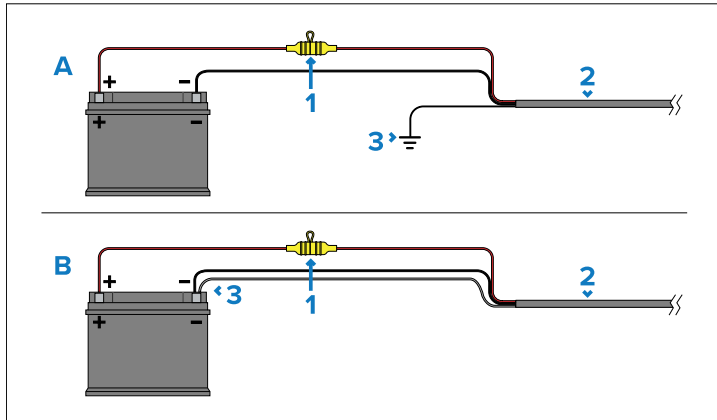
Description

- 1 Positive (+) bar
- 2 Negative (-) bar
- 3 Circuit breaker
- 4 Waterproof fuse holder containing a suitably-rated inline fuse must be fitted. For suitable fuse rating, refer to: *Inline fuse and thermal breaker ratings*.

Important:

Observe the recommended fuse / breaker ratings provided in the product's documentation, however be aware that the suitable fuse / breaker rating is dependent on the number of devices being connected.

Implementation — direct connection to battery



- Where connection to a power distribution panel is not possible, the power cable supplied with your product may be connected directly to the vessel's battery, via a suitably rated fuse or breaker.
- If the power cable is NOT supplied with a fitted inline fuse, you MUST fit a suitably rated fuse or breaker between the red wire and the battery's positive terminal.
- Refer to the inline fuse ratings provided in the product's documentation.
- If you need to extend the length of the power cable supplied with your product, ensure you observe the dedicated *Power cable extensions* advice provided in the product's documentation.

Description	
1	Waterproof fuse holder containing a suitably-rated inline fuse must be fitted. For suitable fuse rating, refer to: <i>Inline fuse and thermal breaker ratings</i> .
2	Product power cable.
3	Drain wire connection point.

Battery connection scenario A:

Suitable for a vessel with a common RF ground point. In this scenario, the power cable's drain wire should be connected to the vessel's common ground point.

Battery connection scenario B:

Suitable for a vessel without a common grounding point. In this case, the power cable's drain wire should be connected directly to the battery's negative terminal.

Grounding

Ensure that you observe any additional grounding advice provided in the product's documentation.

More information

It is recommended that best practice is observed in all vessel electrical installations, as detailed in the following standards:

- BMEA Code of Practice for Electrical and Electronic Installations in Boats
- NMEA 0400 Installation Standard
- ISO 13297: Small craft — Electrical systems — Alternating and direct current installations
- ISO 10133: Small craft — Electrical systems — Extra-low-voltage d.c. installations
- ABYC E-11 AC & DC Electrical Systems on Boats
- ABYC A-31 Battery chargers and Inverters
- ABYC TE-4 Lightning Protection



Warning: Product grounding

Before applying power to this product, it MUST be correctly grounded, in accordance with the instructions provided.

Power cable extension (12 / 24 V systems)

If you need to extend the length of the power cable supplied with your product, ensure you observe the following advice:

- The power cable for each unit in your system should be run as a separate, single length of 2-wire cable from the unit to the vessel's battery or distribution panel.
- Ensure that the extension cable is of a sufficient gauge for the supply voltage, the total current load of the device, and the length

of the cable run — as the cable run length increases, the greater the voltage drop will be from one end of the power cable to the other.

- Refer to the following table for typical **minimum** power cable wire gauges:

Cable length in meters (feet)	Wire gauge in AWG (mm ²) for 12 V supply	Wire gauge in AWG (mm ²) for 24 V supply
<8 (<25)	16 (1.31 mm ²)	18 (0.82 mm ²)
16 (50)	14 (2.08 mm ²)	16 (1.31 mm ²)
24 (75)	12 (3.31 mm ²)	14 (2.08 mm ²)
>32 (>100)	10 (5.26 mm ²)	12 (3.31 mm ²)

Important:

Be aware that some products in your system (such as sonar modules) can create voltage peaks at certain times, which may impact the voltage available to other products during the peaks.

Important:

To ensure power cables (including any extension) are of a sufficient gauge, ensure that there is a continuous **minimum** voltage of **10.8 V dc** at the end of the cable where it enters the product's power connector, even with a fully flat battery at 11 V dc. (Do not assume that a flat battery is at 0 V dc. Due to the discharge profile and internal chemistry of batteries, the current drops much faster than the voltage. A "fully flat" battery still shows a positive voltage, even if it doesn't have enough current to power your device.)



Warning: Positive ground systems

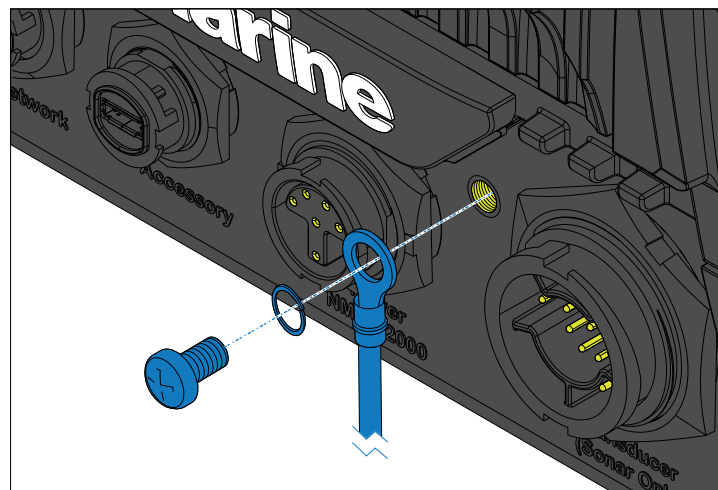
Do NOT connect this unit to a system which has positive grounding.

Grounding — optional dedicated drain wire

Frequencies emitted from equipment such as switched mode power supplies or MF/HF transmitters can cause interference with your displays's touchscreen or power swipe. If you experience issues with touchscreen performance or the power swipe, fitting an additional dedicated drain wire can resolve the issue.

Important:

The additional wire is required in addition to the drain wire (shield) that is part of the product's power cable, but should **ONLY** be used when touchscreen or power swipe interference is observed.



Connect one end of the additional drain wire (not supplied) to your product using the supplied crimp, washer and screw.

Connect the other end of the additional drain wire to the same point as the power cable drain wire (shield). This will be either the vessel's RF ground point, or on vessels without an RF ground system, the negative battery terminal.

The dc power system should be either:

- Negative grounded, with the negative battery terminal connected to the vessel's ground; or
- Floating, with neither battery terminal connected to the vessel's ground.

If several items require grounding, they may first be connected to a single local point (e.g. within a switch panel), with this point connected via a single, appropriately-rated conductor, to the vessel's common RF ground point.

Implementation

The preferred minimum requirement for the path to ground is via a flat tinned copper braid, with a 30 A rating (1/4 inch) or greater. If this is not possible, an equivalent stranded wire conductor may be used, rated as follows:

- for runs of <1 m (3 ft), use 6 mm² (#10 AWG) or greater.
- for runs of >1 m (3 ft), use 8 mm² (#8 AWG) or greater.

In any grounding system, always keep the length of connecting braid or wires as short as possible.

References

- ISO10133/13297
- BMEA code of practice
- NMEA 0400

CHAPTER 14: TRANSDUCER CONNECTIONS — AXIOM+ RV 3D

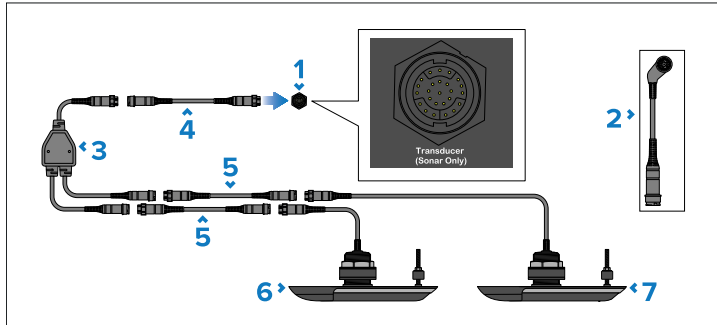
CHAPTER CONTENTS

- [14.1 RealVision transducer connection — page 66](#)
- [14.2 DownVision and CPT-S-Series transducer connection — page 67](#)
- [14.3 Traditional transducer connection — page 67](#)
- [14.4 Axiom+ RV 3D variant — Transducer adaptor cables — page 67](#)

14.1 RealVision transducer connection

RealVision 3D transducers can be connected directly to an Axiom+ RV 3D display's **Transducer (Sonar Only)** connection using the cable(s) supplied with the transducers.

Example — RealVision 3D split pair transducer connections



1. Display's **Transducer (Sonar Only)** 25-pin connector.
2. Optional right angled adaptor (part number: A80515) supplied separately (used to reduce the space required behind display).
3. 'Y' cable (supplied with split pair transducer packs)
4. 8 m (26.2 ft) extension cable (supplied with split pair transducer packs)
5. Optional extension cables can be fitted between the transducer and 'Y' cable if required, or between supplied extension cable and display.
6. Transducer, e.g.: RV-412P.
7. Transducer, e.g.: RV-412S.

For a list of compatible transducers refer to:

- [p.21 — Compatible transducers](#)



Warning: Transducer cables

Do NOT remove the transducer cable whilst the product is powered on; doing so could cause sparks. If the transducer cable is accidentally removed whilst the product is powered on, switch the product's power off, replace the cable, and then switch the power back on.

Caution: Do not cut transducer cables

- Cutting the transducer cable severely reduces sonar performance. If the cable is cut, it must be replaced, it cannot be repaired.
- Cutting the transducer cable will void the warranty and invalidate the European CE mark.

RealVision transducer extension cables

Transducers are supplied with a fitted cable, for some installations (including all split-pair transducer installations) it may be necessary to extend the length of the transducer cable.

Note:

- For best performance, cable runs should be kept to a minimum.
- Only use Raymarine transducer extension cables.

RealVision offers the following optional extension cables are available:

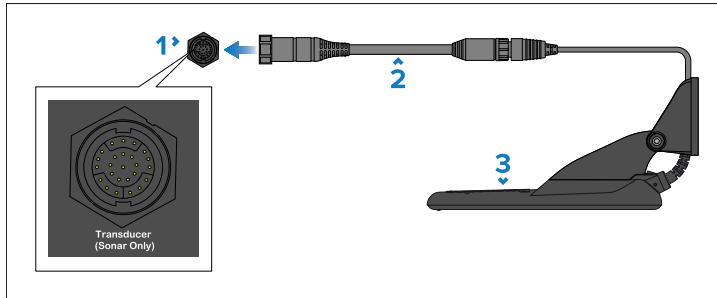
- **RealVision** transducer extension cable 3 m (9.8 ft) (part number A80475)
- **RealVision** transducer extension cable 5 m (16.4 ft) (part number A80476)
- **RealVision** transducer extension cable 8 m (26.2 ft) (part number A80477)

Split pair transducers: Extension cables fitted between the transducer and the 'Y' cable must be fitted in equal length pairs (i.e.: each transducer's final cable length must be the same).

14.2 DownVision and CPT-S-Series transducer connection

DownVision and CPT-S-Series transducers can be connected to an Axiom+ RV 3D display's **Transducer (Sonar Only)** connection using the RV 25-pin to DV 9-pin adaptor cable (part number: A80490).

Example DownVision transducer connection



1. Display's **Transducer (Sonar Only)** 25-pin connector.
2. RV 25-pin to DV 9-pin adaptor cable (part number: A80490).
3. Transducer (DownVision transducer illustrated).

For a list of compatible transducers refer to:

- [p.21 – Compatible transducers](#)

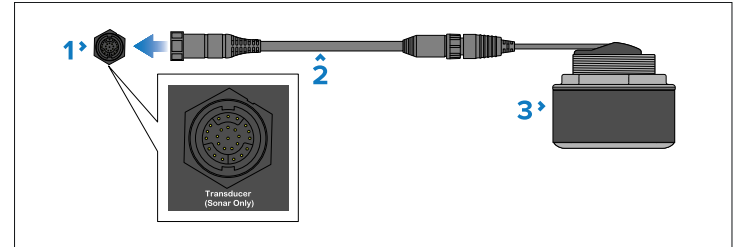
DownVision transducer extension cable

For best performance, cable runs should be kept to a minimum. However, for some installations it may be necessary to extend the transducer cable.

- A 4 m (13.1 ft) Transducer extension cable (Part number: A80273) is available.
- It is recommended that only one cable extension is used.

14.3 Traditional transducer connection

Traditional transducers can be connected to an Axiom+ RV 3D display's **Transducer (Sonar Only)** connection using the RV 25-pin to CP370 8-pin adaptor cable (part number: A80489).



1. Display's **Transducer (Sonar Only)** 25-pin connector.
2. RV 25-pin to CP370 8-pin adaptor cable (part number: A80489).
3. Traditional transducer.

For a list of compatible transducers refer to:

- [p.21 – Compatible transducers](#)

14.4 Axiom+ RV 3D variant — Transducer adaptor cables

The following adaptor cables enable an Axiom+ RV 3D display to be connected to a wider selection of transducers.

Part	Description
A80488	25-pin RV to 7-pin embedded transducer adaptor cable.
A80489	25-pin RV to 8-pin CP370 transducer adaptor cable.
A80490	25-pin RV to 9-pin DV transducer adaptor cable.
A80491	25-pin RV to 25-pin RV & 7-pin embedded transducers Y-cable.
A80492	25-pin RV to 25-pin RV & 8-pin CP370 transducers Y-cable.

Part	Description
A80493	25-pin RV to 7-pin embedded & 9-pin DV transducers Y-cable.
A80494	25-pin RV to 8-pin CP370 & 9-pin DV transducers Y-cable.

CHAPTER 15: NETWORK CONNECTIONS

CHAPTER CONTENTS

- 15.1 Networking constraints — page 70
- 15.2 NMEA 2000 / SeaTalk NG connection — page 71
- 15.3 NMEA 0183 connection — page 71
- 15.4 Network connection — page 72
- 15.5 Internet connection — page 73

15.1 Networking constraints

In systems that include more than one MFD/Chartplotter, the MFDs/Chartplotters must be networked together using an Ethernet network. The Ethernet network can be either a direct RayNet cable connection or connection via a network switch such as the RNS-5. The following constraints apply when networking MFDs/Chartplotters:

Ethernet networks

- Any network including more than one MFD/Chartplotter must have a designated **Datamaster**.
- The Datamaster MFD/Chartplotter is the primary display in the system and will receive data from NMEA 2000 / SeaTalk NG and, if applicable, NMEA 0183 devices. The data received by the Datamaster will be bridged over the Ethernet network to other networked MFDs/Chartplotters.
- Up to 10 MFDs/Chartplotters can be connected to the same network.
- All networked MFDs/Chartplotters should have the same software version.
- In mixed Axiom-Series and Axiom 2-Series display networks an Axiom 2-Series display must be the Datamaster.
- Other Ethernet devices connected directly to an MFD/Chartplotter will be shared with networked MFDs/Chartplotters.
- Networked MFDs/Chartplotters will share the Datamaster's Homescreen. Changes made to the Homescreen on any MFD/Chartplotter will be reflected on all networked MFDs/Chartplotters.
- Electronic cartography stored on internal or external memory on any MFD/Chartplotter can be shared by all MFDs/Chartplotters on the same network.
- Up to 2 Radar scanners can be connected to the same network and used simultaneously.
- Multiple Sonar modules can be connected to the same network and used simultaneously.
- MFDs/Chartplotters with an internal sonar module can share sonar data with networked MFDs/Chartplotters.

For details regarding internet connections, refer to:

- [p.73 — Internet connection](#)

For details regarding networking third-party Ethernet products, refer to:

- [p.118 — Ethernet \(IPv4\) networking of Raymarine devices with third-party products](#)

Wi-Fi networks

- MFDs/Chartplotters cannot share data over a Wi-Fi connection.
- MFD/Chartplotter Wi-Fi connection can be used to provide internet connection via an access point.
- MFDs/Chartplotters that have an internet connection using Wi-Fi will share the internet connection with Ethernet networked MFDs/Chartplotters.
- An internet connection over Ethernet will take precedence over an internet connection over Wi-Fi.
- Data from ethernet networked devices is not bridged over a Wi-Fi connection.
- Data from NMEA 2000 / SeaTalk NG devices is not bridged over a Wi-Fi connection.

NMEA 2000 / SeaTalk NG networks

- Only the Datamaster MFD/Chartplotter needs to be connected to the NMEA 2000 / SeaTalk NG backbone.
- If more than one MFD/Chartplotter is connected to the backbone, only the Datamaster MFD/Chartplotter will receive data from other devices on the backbone.
- The Datamaster MFD/Chartplotter will bridge NMEA 2000 / SeaTalk NG data over the Wi-Fi network to other MFDs/Chartplotters.
- More than one MFD/Chartplotter can be connected to the same backbone for data redundancy purposes. If the **Datamaster** MFD/Chartplotter fails, another networked MFD/Chartplotter can take its place as the Datamaster. All MFDs/Chartplotters on the same backbone should have the same software version.

Networking with legacy MFDs/Chartplotters

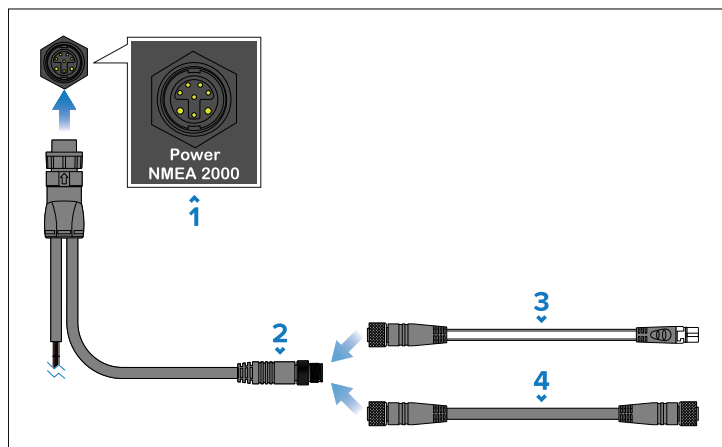
- Axiom 2 Pro MFDs/Chartplotters cannot be networked to legacy MFDs/Chartplotters running LightHouse 2.
- Axiom-Series MFDs/Chartplotters running earlier versions of LightHouse 3 can be networked to legacy MFDs/Chartplotters. For further details on networking legacy MFDs/Chartplotters, refer to:

– p.117 – Legacy eS and gS Series compatibility with Axiom+ displays

- Alpha Performance displays cannot be networked to legacy displays running LightHouse 2.

15.2 NMEA 2000 / SeaTalk NG connection

The display can be connected to a NMEA 2000 / SeaTalk NG network by connecting a spur cable to the DeviceNet connector located on the supplied power / NMEA 2000 cable.



1. Display's power / NMEA 2000 connector.
2. Power / NMEA 2000 cable's DeviceNet (Micro-C 5 pin male) connector.
3. Use the supplied DeviceNet to SeaTalk NG adaptor cable to connect the display to a SeaTalk NG network backbone.
4. Alternatively, you can connect the display to a NMEA 2000 backbone using a standard DeviceNet cable (not supplied).

Note:

1. NMEA 2000 / SeaTalk NG devices must be connected to a correctly terminated backbone.
2. NMEA 2000 / SeaTalk NG devices can NOT be connected directly to the display.
3. Refer to the instructions supplied with your NMEA 2000 / SeaTalk NG device for details on creating a backbone.

For a list of available SeaTalk NG cables, refer to:

- p.105 – Spares and accessories

15.3 NMEA 0183 connection

The display can transmit and receive NMEA 0183 data when using a compatible NMEA 2000 to NMEA 0183 converter, such as the Actisense® NGW-1 converter (part number: A80721), connected to the same NMEA 2000 / SeaTalk NG network as the display.

Important:

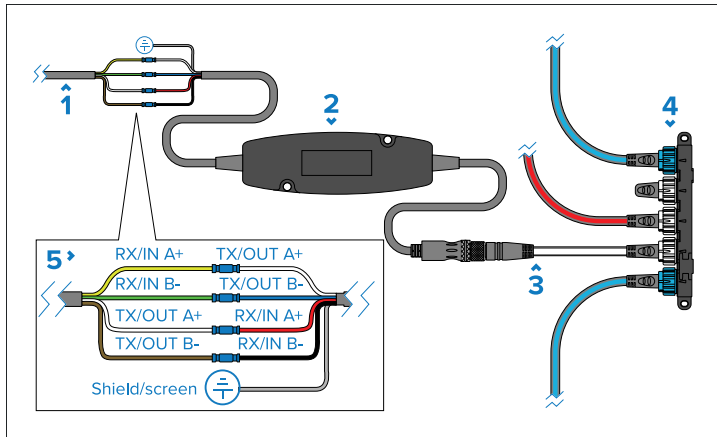
Ensure all devices are powered off before making connections.

Connect the converter to your NMEA 2000 or SeaTalk NG network, using either a DeviceNet to SeaTalk NG adaptor cable, or a DeviceNet cable as appropriate. Then, connect the converter's NMEA 0183 bare wires to the relevant wires on your NMEA 0183 device, and crimp and insulate the wires.

Note:

The details below are provided as an example of how to connect a device using the Actisense® NGW-1 converter (A80721). Depending on your NMEA 0183 device, you may require a different converter. The converter and device wire colors may also vary from those shown. Refer to the instructions supplied with your NMEA 0183 device and your converter to identify correct signal connections.

Example NMEA 0183 version 2 / 3 device connection using the Actisense® NGW-1 converter



1. Device NMEA 0183 wires.
2. NMEA 2000 to NMEA 0183 converter (e.g. Actisense® NGW-1 converter, A80721).
3. SeaTalk NG (female) to DeviceNet (female) adaptor cable (e.g. A06045 or A06075).
4. SeaTalk NG network (requires dedicated 12 V dc power supply).
5. NMEA 0183 wire connections. It is recommended that wire connections are made using crimps and then insulated using insulation tape.

Example NMEA 0183 version 2 / 3 device connections

Converter signal (wire color)	NMEA 0183 device signal
TX/OUT A+ (White)	RX/IN A+
TX/OUT B- (Blue)	RX/IN B-
RX/IN A+ (Red)	TX/OUT A+
RX/IN B- (Black)	TX/OUT B-
Shield/Screen	Vessel Ground

If your NMEA 0183 device is a version 1 device (i.e.: it only has 3 NMEA 0183 wires), the connection will differ from that described above. Please see below for alternative wiring:

Example NMEA 0183 version 1 receiving device connections

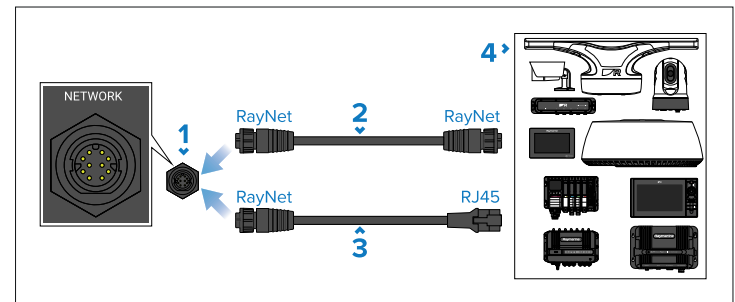
Converter signal (wire color)	Receiving NMEA 0183 device signal
TX/OUT A+ (White)	RX/IN
TX/OUT B- (Blue)	NOT CONNECTED
Shield/Screen	Vessel Ground

Example NMEA 0183 version 1 transmitting device connections

Converter signal (wire color)	Transmitting NMEA 0183 device signal
RX/IN A+ (Red)	TX/OUT
RX/IN B- (Black)	Vessel Ground
Shield/Screen	Vessel Ground

15.4 Network connection

The display can be connected to compatible network products by connecting a network cable from the product to a **NETWORK** connector located on the rear of the display. Alternatively, the display can be connected to a network switch, e.g.: RNS-5, or the YachtSense Link marine router.



1. Display's **NETWORK** connector.

2. RayNet to RayNet cable — Connect one end of the RayNet cable to your display, and the opposite end to a RayNet device or RayNet network switch.
3. RayNet to RJ45 adapter cable — Connect the RayNet end of the cable to your display, and the opposite end to a network device with an RJ45 connector, or an RJ45 coupler.
4. Examples of compatible network devices with RayNet or RJ45 connectors (e.g.: Radar scanners, Sonar modules, Displays, Network switches, Cameras etc).

For a list of available network cables, refer to:

- [p.105 — Spares and accessories](#)

15.5 Internet connection

Some features require the display to have a connection to the internet.

Note:

In versions of the YachtSense™ Link router software *later than v4.20*, the display cannot connect to the router's Wi-Fi access point.

The display can be connected to the internet using the following methods:

- Connecting the display's Wi-Fi connection to a Wi-Fi access point which has an internet connection, such as marina Wi-Fi or mobile device. For connection details, refer to:
 - [p.74 — Connecting to the internet using Wi-Fi](#)
- Connecting the display's RayNet Ethernet connection to a YachtSense™ Link router which has internet access. Requires YachtSense™ Link router software **v4.20** or above
- Connecting the display's Wi-Fi connection to a YachtSense™ Link router which has internet access. Requires YachtSense™ Link router software **v4.17** or *earlier*.
- Connecting the display's Wi-Fi or RayNet Ethernet connection to a third-party router which has internet access

Note:

- When connecting to a YachtSense™ Link router, follow the instructions provided with the router to set up an internet connection.
- When using a third-party router, follow the instructions provided with it to set up an internet connection and then follow the guidance in the appendix of this document to help you configure internet access:

- [p.118 — IP Networking of Raymarine devices with Third-party products](#)

YachtSense Link network connection

For optimum internet performance, Raymarine MFDs / chartplotters should be connected to the router via a wired RayNet Ethernet connection.

For YachtSense Link router software versions from **v4.20** onwards, it is no longer possible for a display to connect to the router's Wi-Fi Access Point.

Software version	Description
<i>Earlier than v4.20</i>	Display may be connected to the YachtSense Link router's Wi-Fi Access Point. However, functionality will be limited to providing an internet connection for third-party apps which require internet access.
v4.20 or later	Display cannot connect to the YachtSense Link router's Wi-Fi Access Point.

Note:

For YachtSense Link routers which previously had a Wi-Fi connection to a display and have since been upgraded to **v4.20** from an earlier software version, the display will receive an IP address conflict notification. To correct the conflict, select *[Forget network]* in the displayed notification popup.

Connecting to the internet using Wi-Fi

The display can be connected directly to an access point that has an internet connection.

From the Homescreen:

1. Select the *[Apps]* icon from the Homescreen.
The app launcher is displayed.
2. Select the connection status button, located on the top right of the app launcher page.
The Wi-Fi settings page is displayed and will scan for available networks.

Note:

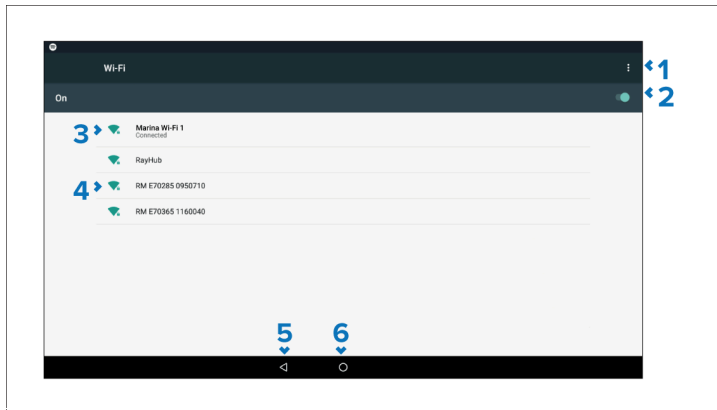
If there is a YachtSense™ Link router connected to your system selecting this button will display the router's web interface.

3. Select the relevant Wi-Fi access point.
4. Enter the password for the network and select *[Connect]*.
Your display will now connect to the access point.
5. Select the *[Back]* triangle symbol or the *[Home]* circle symbol at the bottom of the screen.

Your display should now have an internet connection.

Wi-Fi settings (Axiom-Series displays)

The Wi-Fi settings menu provides settings to connect the display to a Wi-Fi access point or hotspot.



1. Wi-Fi options — Provides the following options:
 - Add network — Manually add a network.
 - Saved networks — View a list of all saved networks.
 - Refresh — Rescan available networks.
 - Advanced — View advanced network settings.
2. Enable/Disable Wi-Fi.
3. Connected access point.
4. Available access points.
5. Back button — Go back to the previous menu.
6. Home button — Go back to the previous menu.

CHAPTER 16: USB CONNECTIONS

CHAPTER CONTENTS

- [16.1 Accessory connection — page 76](#)

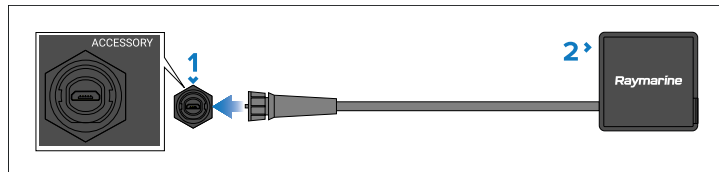
16.1 Accessory connection

The **ACCESSORY** connector can be used to connect an external memory card reader or external storage device to the display.

The following functions require a card reader attached to the display:

- use of electronic cartography — alternatively cartography can be shared from a networked display that does have a card reader attached.
- updating product software — alternatively if your display has a connection to the internet you can check online for software updates.
- import and export user data (waypoints, routes and tracks) — alternatively user data can be imported and exported from a networked display that does have a card reader attached.
- backup and restore settings — alternatively settings can be backed up and restored from a networked display that does have a card reader attached.
- viewing pdf files
- ⁽¹⁾ capturing and viewing screenshots or images (.png, .jpg files)
- ⁽²⁾ recording and viewing video files (.mov files)
- installation of third-party LightHouse app (.apk files) (for installation only; apps cannot be run directly from storage device).
- connection of a compatible UAV (drone), for use with display's UAV app, requires Bulkhead Mount Micro USB Socket (A80630).

In addition to the storage uses listed above, the USB slot on the RCR-SDUSB can also supply 0.5A of current to charge mobile devices.



1. Display's **ACCESSORY** connector.
2. Accessory device:
 - **RCR-SDUSB** (part number: A80440) — Includes 1x SD card slot (or MicroSD card when using an SD card adaptor) and 1x

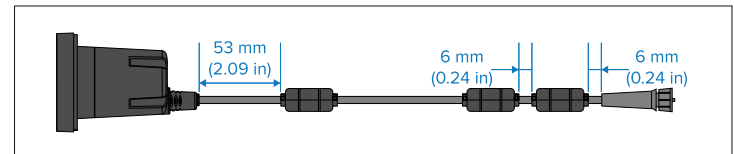
USB (Type A connector) (e.g. for connection of an external USB hard drive or pen / flash drive).

- **RCR-1** (part number A80585) — Includes 1x MicroSD card slot.
- **Bulkhead Mount Micro USB Socket** (part number: A80630) — Includes 1x Micro USB (Type Micro A connector) (e.g. for connection of an external USB hard drive or pen / flash drive; an additional adaptor may be required for the connection of some USB devices).
- To store images (.png, .jpg files), *[External SD]* or *[External USB]* must be selected as the *[Screenshot File]* location on the *[This display]* tab in the main display settings menu (accessible from Homescreen).
- To store video (.mov files), *[External SD]* or *[External USB]* must be selected as the *[Save Files]* location on the *[Photo & Video recording]* tab in the Video app settings menu.

For installation details for these devices, please refer to the instructions provided with your accessory.

Fitting suppression ferrites

In certain installation scenarios interference may be experienced in the form of data corruption when reading and writing to external storage via the card reader. Under these circumstances the supplied suppression ferrites should be fitted to the card reader's cable, as described below.



Two of the suppression ferrites should be fitted at 6 mm (0.24 in) intervals from the connector end of the cable and the third ferrite at a distance of 53 mm (2.09 in) from the rear of the card reader. Cable ties are also supplied to help secure each ferrite in place.



Warning: USB device power

Do NOT connect any device to the product's USB connection that requires an external power source.

CHAPTER 17: MAINTENANCE

CHAPTER CONTENTS

- 17.1 Service and maintenance — page 78
- 17.2 Product cleaning — page 78

17.1 Service and maintenance

This product contains no user serviceable components. Please refer all maintenance and repair to authorized Raymarine dealers. Unauthorized repair may affect your warranty.



Warning: High voltage

This product contains high voltage. Adjustments require specialized service procedures and tools only available to qualified service technicians. There are no user serviceable parts or adjustments. The operator should never remove the cover or attempt to service the product.



Warning: FCC Warning (Part 15.21)

Changes or modifications to this equipment not expressly approved in writing by Raymarine UK Ltd could violate compliance with FCC rules and void the user's authority to operate the equipment.

Caution: Sun covers

- Sun covers are used to protect the display screen against the damaging effects of ultraviolet (UV) light. If your product is supplied with a sun cover always ensure it is fitted when the product is not in use.
- To avoid potential loss of the sun cover, ensure that the sun cover is removed when travelling at high speed, whether in the water or when the vessel is being towed.
- To avoid potential screen damage, ensure that the rear surface of the sun cover and the display screen are clean and free from debris before placing the sun cover on the screen.

Routine equipment checks

It is recommended that you perform the following routine checks, on a regular basis, to ensure the correct and reliable operation of your equipment:

- Examine all cables for signs of damage or wear and tear.
- Check that all cables are securely connected.

17.2 Product cleaning

Best cleaning practices.

When cleaning products:

- Switch off power supply.
- Use a clean damp cloth to wipe clean.
- Do NOT use: abrasive, acidic, ammonia, solvent or other chemical-based cleaning products.
- Do NOT use a jet wash.

Cleaning the display screen

The touchscreen has an oleophobic protective coating, which is fingerprint-resistant and oil-repelling, to protect your display screen. To remove fingerprints from the display, simply wipe the screen gently with a clean, lint-free cloth, such as a microfibre cloth. For more stubborn smears, follow the steps below:

Important:

Do NOT use an abrasive cloth or abrasive cleaning fluid to clean the screen, as this will degrade the protective coating and potentially scratch the screen.

1. Switch off the power to the display.
2. Clean the screen using a mild detergent solution and a clean, lint-free cloth to remove all dirt particles and salt deposits.
3. Rinse the screen with fresh, clean water to remove any remaining detergent.

Note:

Leaving detergent on the glass may deteriorate the protective coating.

4. Allow the screen to dry naturally.
5. If any smears remain, very gently wipe the screen with a fresh, clean, lint-free cloth.

Disinfecting the display

In installations where MFDs / chartplotters have multiple users (e.g.: on charter boats), the touchscreen and control buttons should be disinfected. Use a 70% isopropyl alcohol wipe to disinfect the display.

Important:

- If wipes are unavailable, spray 70% isopropyl alcohol onto a lint-free cloth (such as a microfibre cloth), and wipe the display. Do NOT spray directly onto the touchscreen.
- Do NOT use a stronger concentration of alcohol, as this could strip the protective coating on your screen.
- Do NOT use an abrasive cloth or abrasive cleaning fluid to clean the screen, as this will degrade the protective coating and potentially scratch the screen.

1. Switch off the power to the display.
2. Follow the instructions for cleaning your display screen.
3. Using a 70% isopropyl alcohol wipe, gently wipe all surfaces and control buttons.
4. Using a second 70% isopropyl alcohol wipe, very gently clean the surface of the touchscreen.
5. Rinse the screen with fresh, clean water to remove all traces of the chemicals used in the wipe.
6. Allow the screen to dry naturally.
7. If any smears remain, very gently wipe the screen with a clean, microfibre cloth.

Cleaning the display case

The display is a sealed unit and does not require regular cleaning. If it is necessary to clean the display, follow this basic procedure:

1. Switch off the power to the display.
2. Wipe the case with a clean, lint-free cloth.
3. If necessary, use a mild detergent to remove grease marks.

Cleaning the sun cover

The supplied sun cover features an adhesive surface. In certain conditions unwanted contaminants may stick to this surface. To avoid damaging the monitor display, clean the sun cover regularly following this procedure:

1. Carefully remove the sun cover from the display.
2. Rinse the sun cover with fresh water to remove all dirt particles and salt deposits.
3. Allow the sun cover to dry naturally.

CHAPTER 18: OPERATION

CHAPTER CONTENTS

- [18.1 Operation instructions — page 81](#)

18.1 Operation instructions

For detailed operation instructions for your product, refer to the documentation that accompanies your display.

Document	Description	Link
81406	LightHouse 4 Operation Instructions	www.bit.ly/LH4-docs
81370	LightHouse 3 Operation Instructions	www.bit.ly/LH3-docs

CHAPTER 19: TROUBLESHOOTING

CHAPTER CONTENTS

- 19.1 Troubleshooting — page 83
- 19.2 LED Diagnostics — page 83
- 19.3 Miscellaneous troubleshooting — page 84
- 19.4 Power up troubleshooting — page 84
- 19.5 GNSS (GPS) troubleshooting — page 85
- 19.6 Sonar troubleshooting — page 86
- 19.7 Wi-Fi troubleshooting — page 89
- 19.8 Touchscreen troubleshooting — page 91

19.1 Troubleshooting

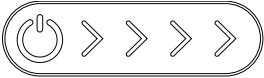


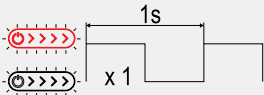
The troubleshooting section provides possible causes and the corrective action required for common problems that are associated with the installation and operation of your product.

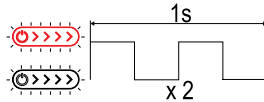
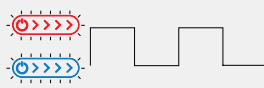
Before packing and shipping, all products are subjected to comprehensive testing and quality assurance programs. If you do experience problems with your product, this section will help you to diagnose and correct problems to restore normal operation.

If after referring to this section you are still having problems with your product, please refer to the *Technical support and servicing* section of this manual for useful links and contact details.

19.2 LED Diagnostics

The display's "Power swipe" key is illuminated using LEDs. The LED color and flash sequence identifies the status of the display, along with any error codes.

LED indication	Status and required action
	(White): Powered up OK Normal operation — no user action is required.
	(Red): Standby Swipe to power up display.
	(Blue): Recovery mode Follow the power on reset instructions: p.85 — Performing a power on reset
	(Red flash, 1 per second): Low voltage <ul style="list-style-type: none"> • Increase supply voltage to within operating temperature range. • Check power cabling and connections for damage and corrosion; replace if required.

LED indication	Status and required action
	(Red flash, 2 per second): High voltage <ul style="list-style-type: none"> • Reduce supply voltage to within operating temperature range.
	(Red / Blue alternating flash): High temperature <ul style="list-style-type: none"> • Check display installation for adequate ventilation and 'free' space around rear of display. • Check ambient temperature; if high, consider powering down the display until ambient temperature reduces.

19.3 Miscellaneous troubleshooting

Miscellaneous problems and their possible causes and solutions are described here.

Product behaves erratically (frequent unexpected resets / system crashes, or other erratic behavior):

Possible causes	Possible solutions
Intermittent problem with power to the product.	<ul style="list-style-type: none">• Check relevant fuses and breakers.• Check that the power supply cable is sound, and that all connections are tight and free from corrosion.• Check that the power source is of the correct voltage, and that sufficient current is being provided to the product.
Software mismatch on system (upgrade required):	Go to https://bit.ly/rym-software for the latest software downloads.
Corrupt data / other unknown issue:	Perform a factory reset — refer to the relevant <i>Installation Instructions</i> document.

Important:
This will result in the loss of any settings and user data stored on the product. Save any important data to a memory card before resetting.

19.4 Power up troubleshooting

Troubleshooting assistance with typical causes of power-related issues, and their solutions.

Product does not power up, or keeps switching off

Possible causes	Possible solutions
Blown fuse / tripped breaker:	<ol style="list-style-type: none">1. Check condition of relevant fuses and breakers and connections, replace if necessary. (Refer to the <i>Power Connections</i> section of your product's Installation Instructions for fuse ratings.)2. If fuse keeps blowing, check for cable damage, broken connector pins, or incorrect wiring.
Poor / damaged / insecure power supply cable / connections:	<ol style="list-style-type: none">1. Check that the power cable connector is correctly orientated and fully inserted into the product's <i>Power</i> connector, and locked in position.2. Check the power supply cable and connectors for signs of damage or corrosion, and replace if necessary.3. With the product switched on, try carefully flexing the power cable near to the product's <i>Power</i> connector to see if this causes the unit to restart or lose power. Replace if necessary.4. Check the vessel's battery voltage and the condition of the battery terminals and power supply cables, ensuring connections are secure, clean and free from corrosion. Replace if necessary.5. With the product under load, using a multi-meter, check for high voltage drop across all connectors / fuses etc, and replace if necessary.
Incorrect power connection:	The vessel's power supply may be wired incorrectly. Ensure that the product's <i>Installation Instructions</i> have been followed completely.

Product will not start up (restart loop)

Possible causes	Possible solutions
Power supply and connection:	See possible solutions from the table above, entitled ' <i>Product does not power up, or keeps switching off.</i>
Software corruption:	<ol style="list-style-type: none">1. In the unlikely event that the product's software has become corrupted, try downloading and installing the latest software from: www.bit.ly/rym-software2. If your product includes a display: as a last resort, attempt to perform a 'Power on Reset'. Be aware that this will delete all settings / presets and user data, and revert the unit back to factory default settings.

Performing a power on reset on touch-only displays

Important:

- Before performing a power on reset, ensure you have backed up your settings and user data (waypoints, routes and tracks) to a memory card.
 - You may also want to save any crash logs that are stored on your display to a memory card, for future reference.
1. Switch off power at the breaker to ensure that the display is completely powered off, and not in Standby mode. Alternatively, remove the power cable from the display.
 2. Power on your display, and within approximately 10 seconds, swipe your finger from right to left **5 times** across the *[Power]* button swipe area (i.e. the opposite direction to powering on). Recovery options are displayed.
 3. Swipe your finger from right to left **twice** to highlight the *[Wipe data / factory reset]* option.
 4. Swipe your finger from left to right **once** to accept the Disclaimer.
 5. Swipe your finger from right to left **once** to highlight *[Yes]*.
 6. Swipe your finger from left to right **once** to restore your display to factory default settings.

7. When *[Data wipe complete]* is displayed, swipe your finger from left to right to restart your display.

19.5 GNSS (GPS) troubleshooting

Problems with the GNSS (GPS) and their possible causes and solutions are described here. Your position fix coordinates are displayed in the status area located in the top left corner of the Homescreen.

No position fix

Possible causes	Possible solutions
Display installation location (e.g.: installed below decks or in close proximity to equipment which may cause interference).	Connect an external passive GNSS (GPS) antenna such as the GA200 to the display GPS antenna connection.
Internal GNSS (GPS) receiver disabled.	When using your product's internal GNSS (GPS) receiver, ensure that it is enabled in the relevant settings menu. To access the relevant menu, select the status area located in the top left corner of the Homescreen and select <i>[Satellites]</i> and then select the <i>[Settings]</i> tab, locate the Internal GPS option and ensure it is enabled.
External GNSS (GPS) receiver connection fault.	When using an external GNSS (GPS) receiver, ensure that connections are secure and that the cabling is free from damage.

Possible causes	Possible solutions
External GNSS (GPS) receiver or antenna location (e.g.: installed below decks or in close proximity to equipment which may cause interference).	Ensure the GNSS (GPS) receiver or antenna has a clear unobstructed view of the sky. Refer to the documentation supplied with your external receiver / antenna and ensure location requirements have been adhered to.
Geographic location or prevailing conditions preventing satellite fix.	Check periodically to see if a fix is obtained in better conditions or another geographic location.

19.6 Sonar troubleshooting

Problems that can be encountered with your sonar module and possible causes and solutions are described here.

Note:

This troubleshooting guide assumes that you have a compatible transducer connected to either your MFD / Chartplotter display directly (for Sonar-variant displays only) or an external sonar module, which is correctly networked to your display.

Scrolling image is not being displayed:

Possible causes	Possible solutions
Sonar disabled	Select [<i>Ping Enable</i>] from the Sonar app's Sounder menu.
Incorrect transducer selected	Check that the correct transducer is selected in the Sonar app's Transducer menu.

Possible causes	Possible solutions
Damaged cables	<ol style="list-style-type: none"> 1. Check that the transducer cable connector is fully inserted and locked in position. 2. Check the power supply cable and connectors for signs of damage or corrosion, replace if necessary. 3. With the unit turned on, try flexing the cable near to the display connector to see if this causes the unit to restart or lose power. Replace if necessary. 4. Check the vessel's battery voltage, the condition of the battery terminals and power supply cables, ensuring connections are secure, clean and free from corrosion, replace if necessary. 5. With the product under load, using a multi-meter, check for high voltage drop across all connectors / fuses etc (this can cause the Sonar applications to stop scrolling or the unit to reset or switch off). Replace if necessary.
Damaged or fouled transducer	Check the condition of the transducer, ensuring that it is not damaged and is free from debris / fouling. Clean or replace as necessary.
Wrong transducer fitted	Ensure that the transducer is compatible with your system.

Possible causes	Possible solutions
External sonar module: / RayNet network problem.	<ul style="list-style-type: none"> Check that the unit is correctly connected to the multifunction display or Raymarine network switch. If a crossover coupler or other coupler cable / adapter is used, check all connections, ensuring that they are secure, clean, and free from corrosion. Replace if necessary.
External sonar module: Software mismatch between equipment may prevent communication.	Ensure that all Raymarine products contain the latest available software. Check the Raymarine website for software version information: https://bit.ly/rym-software

No depth reading / lost bottom lock:

Possible causes	Possible solutions
Transducer location	Check that the transducer has been installed in accordance with the instructions provided with the transducer.
Transducer angle	If the transducer angle is too great, the beam can miss the bottom. Adjust the transducer angle and re-check.
Transducer kicked-up	If the transducer has a kick-up mechanism, check that it has not kicked up due to hitting an object.
Power source insufficient	With the product under load, using a multi-meter, check the power supply voltage as close to the unit as possible to establish actual voltage when the current is flowing. (Check your product's Technical specification for power supply requirements.)
Damaged or fouled transducer	Check the condition of the transducer, ensuring that it is not damaged and is free from debris / fouling.

Possible causes	Possible solutions
Damaged cables	<ol style="list-style-type: none"> Check the unit's connector for broken or bent pins. Check that the cable connector is fully inserted into the unit and that the locking collar is in the locked position. Check the cable and connectors for signs of damage or corrosion. Replace if necessary. With the unit switched on, try flexing the power cable near to the display connector to see if this causes the unit to restart or lose power. Replace if necessary. Check the vessel's battery voltage, the condition of the battery terminals and power supply cables, ensuring that connections are secure, clean and free from corrosion. Replace if necessary. With the product under load, using a multi-meter, check for high voltage drop across all connectors / fuses etc. (Voltage drops can cause the Sonar applications to stop scrolling or the unit to reset or switch off.) Replace if necessary.
Vessel speed too high	Slow the vessel speed and re-check.
Bottom too shallow or too deep	The bottom depth may be outside of the transducer's depth range. Move vessel to shallower or deeper waters as relevant, and re-check.

Poor / problematic image

Possible causes	Possible solutions
Vessel stationary	Fish arches are not displayed if the vessel is stationary; fish will appear on the display as straight lines.
Scrolling paused or speed set too low	Unpause or increase sonar scrolling speed.
Sensitivity settings may be inappropriate for present conditions.	Check and adjust sensitivity settings or perform a Sonar reset.
Damaged cables	<ol style="list-style-type: none"> 1. Check the unit's connector for broken or bent pins. 2. Check that the cable connector is fully inserted into the unit and that the locking collar is in the locked position. 3. Check the cable and connectors for signs of damage or corrosion, replace if necessary. 4. With the unit switched on, try flexing the power cable near to the display connector to see if this causes the unit to restart or lose power. Replace if necessary. 5. Check the vessel's battery voltage, the condition of the battery terminals and power supply cables, ensuring that connections are secure, clean, and free from corrosion. Replace if necessary. 6. With the product under load, using a multi-meter, check for high voltage drop across all connectors / fuses etc. (Voltage drops can cause the Sonar applications to stop scrolling or the unit to reset or switch off.) Replace if necessary.

Possible causes	Possible solutions
Transducer location	<ul style="list-style-type: none"> • Check that the transducer has been installed in accordance with the instructions provided with the transducer. • If a transom mount transducer is mounted too high on the transom it may be lifting out of the water, check that the transducer face is fully submerged when planing and turning.
Transducer kicked-up	If the transducer has a kick-up mechanism, check that it has not kicked up due to hitting an object.
Damaged or fouled transducer	Check the condition of the transducer, ensuring that it is not damaged and is free from debris / fouling.
Damaged transducer cable	Check that the transducer cable and connection is free from damage and that the connections are secure and free from corrosion.
Turbulence around the transducer at higher speeds may affect transducer performance	Slow the vessel speed and recheck.
Interference from another transducer	<ol style="list-style-type: none"> 1. Switch off the transducer causing the interference. 2. Re-position the transducers so that they are further apart.
Unit power supply fault	Check the voltage from the power supply, if this is too low it can affect the unit's transmitting power.

19.7 Wi-Fi troubleshooting

Before troubleshooting problems with your Wi-Fi connection, ensure that you have followed the Wi-Fi location requirements guidance provided in the relevant *Installation Instructions*, and have also performed a power cycle / restart of the devices that you are experiencing problems with.

Cannot find network

Possible causes	Possible solutions
Wi-Fi not currently enabled on devices.	Ensure that Wi-Fi is enabled on both Wi-Fi devices, and then re-scan available networks.
Some devices may automatically turn off Wi-Fi when not in use to save power.	Power cycle / restart devices, and then re-scan available networks.
Device not broadcasting.	<ol style="list-style-type: none">1. Enable broadcasting of the device's network using the Wi-Fi settings on the device you are trying to connect to.2. You may still be able to connect to the device even when it is not broadcasting, by manually entering the device's Wi-Fi Name / SSID and passphrase in the connection settings of the device you are trying to connect to.
Devices out of range or signal being blocked.	Move devices physically closer together or, if possible, remove the obstructions and then re-scan available networks.

Cannot connect to network

Possible causes	Possible solutions
Some devices may automatically turn off Wi-Fi when not in use to save power.	Power cycle / restart devices, and then retry the connection.
Trying to connect to the wrong Wi-Fi network	Ensure that you are trying to connect to the correct Wi-Fi network. The Wi-Fi network's name can be found in the Wi-Fi settings on the broadcasting device (the device that you are trying to connect to).
Incorrect network credentials	Ensure that you are using the correct passphrase. The Wi-Fi network's passphrase can be found in the Wi-Fi settings on the broadcasting device (the device that you are trying to connect to).
Bulkheads, decks and other heavy structure can degrade and even block the Wi-Fi signal. Depending on the thickness and material used it may not always be possible to pass a Wi-Fi signal through certain structures	<ol style="list-style-type: none">1. Try repositioning the devices so that structure is removed from the direct line of sight between the devices, or:2. If possible, use a wired connection instead.

Possible causes	Possible solutions
Interference being caused by other Wi-Fi enabled or older Bluetooth enabled devices (Bluetooth and Wi-Fi both operate in the 2.4 GHz frequency range, some older bluetooth devices may interfere with Wi-Fi signals.)	<ol style="list-style-type: none"> 1. Change the Wi-Fi Channel of the device you are trying to connect to, and then retry the connection. You can use a free Wi-Fi analyzer app on your mobile or tablet device to help you choose a better channel (i.e. a channel with the least amount of traffic). 2. Temporarily disable each wireless device in turn until you have identified the device causing the interference.
<p>Interference caused by other devices that use the 2.4GHz frequency band. The following common devices use the 2.4GHz frequency band:</p> <ul style="list-style-type: none"> • Microwave ovens • Fluorescent lighting • Cordless phones / baby monitors • Motion sensors 	Temporarily switch off each device in turn until you have identified the device causing the interference, then remove or re-position the offending device(s).
Interference caused by electrical and electronic devices and associated cabling could generate an electromagnetic field which may interfere with the Wi-Fi signal.	Temporarily switch off each item in turn until you have identified the device causing the interference, then remove or re-position the offending device(s).

Connection extremely slow and / or keeps dropping out

Possible causes	Possible solutions
Wi-Fi performance degrades over distance, resulting in products farther away receiving less network bandwidth. Products installed close to their maximum Wi-Fi range will experience slow connection speeds, signal drop-outs, or not being able to connect at all.	<ul style="list-style-type: none"> • Move devices physically closer together. • For fixed installations such as a Quantum Radar, enable the Wi-Fi connection on a display installed closer to the device.
Interference being caused by other Wi-Fi enabled or older Bluetooth enabled devices (Bluetooth and Wi-Fi both operate in the 2.4 GHz frequency band; some older Bluetooth devices may interfere with Wi-Fi signals.)	<ol style="list-style-type: none"> 1. Change the Wi-Fi Channel of the device you are trying to connect to, and then retry the connection. You can use a free Wi-Fi analyzer app on your mobile or tablet device to help you choose a better channel (i.e. a channel with the least amount of traffic). 2. Temporarily switch off each device in turn until you have identified the device causing the interference, then remove or re-position the offending device(s).
Interference from devices on other vessels. When in close proximity to other vessels, such as when moored up in a marina, many other Wi-Fi signals may be present.	<ol style="list-style-type: none"> 1. Change the Wi-Fi Channel of the device you are trying to connect to, and then retry the connection. You can use a free Wi-Fi analyzer app on your mobile or tablet device to help you choose a better channel (i.e. a channel with the least amount of traffic). 2. If possible, move your vessel to a location with less Wi-Fi traffic.

Network connection established, but no data

Possible causes	Possible solutions
Connected to the wrong network	Ensure that your device is connected to the correct network.
Device software incompatibility	Ensure both devices are running the latest available software.
The device may be defective	<ol style="list-style-type: none">1. Try updating software to a later version, or:2. Re-install the software.3. Obtain new replacement device.

Mobile application running slowly, or not at all

Possible causes	Possible solutions
Raymarine® app not installed	Install mobile app from relevant app store.
Raymarine® app version not compatible with display software	Ensure mobile app and display software are latest available versions.
Mobile apps not enabled on MFD / chartplotter display	Enable “Viewing only” or “Remote Control” as required in the Mobile Apps setting on your MFD / chartplotter display.

19.8 Touchscreen troubleshooting

Problems with the touchscreen and their possible causes and solutions are described here.

Touchscreen does not operate as expected:

Possible causes	Possible solutions
TouchLock is enabled.	Swipe your finger from left to right across the <i>[Power]</i> button swipe area to de-activate the TouchLock.
Screen is not being operated with bare fingers — for example, gloves are being worn.	Bare fingers must make contact with the screen for correct operation. Alternatively you may use conductive gloves.
Water deposits on the screen.	Carefully clean and dry the screen in accordance with the instructions provided.

CHAPTER 20: TECHNICAL SUPPORT

CHAPTER CONTENTS

- 20.1 Raymarine technical support and servicing — page 93
- 20.2 Learning resources — page 95

20.1 Raymarine technical support and servicing

Raymarine provides a comprehensive product support service, as well as warranty, service, and repairs. You can access these services through the Raymarine website, telephone, and e-mail.

Product information

If you need to request service or support, please have the following information to hand:

- Product name.
- Product identity.
- Serial number.
- Software application version.
- System diagrams.

Servicing and warranty

Raymarine offers dedicated service departments for warranty, service, and repairs.

Visit the Raymarine website to **read the latest warranty policy**, and **register** your product's warranty online:

- www.bit.ly/rym-warranty

United Kingdom (UK), EMEA, and Asia Pacific:

- Web: www.bit.ly/rym-service
- Tel: +44 (0)1329 246 932

United States (US):

- Web: www.bit.ly/rym-service
- Tel: +1 (603) 324 7900

Web support

Please visit the “Support” area of the Raymarine website for:

- **Manuals and Documents** — www.bit.ly/rym-docs
- **Technical support forum** — www.bit.ly/rym-support
- **Software updates** — www.bit.ly/rym-software

Technical support

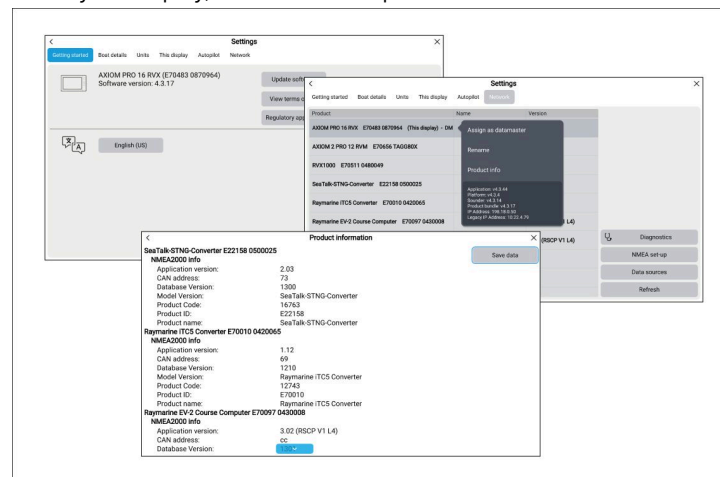
Telephone and online support

Region	Contact details
All regions	Online support: www.bit.ly/rym-support
United Kingdom (UK) and EMEA	Telephone: +44 (0)1329 246 777 Address: Marine House, Cartwright Drive, Fareham, PO15 5RJ, UK.
United States (US)	Telephone: Tel: +1 (603) 324 7900 (Toll-free: +800 539 5539) Address: 110 Lowell Road, Hudson, NH 03051, USA.
Australia and New Zealand (Raymarine subsidiary)	Telephone: +61 2 8977 0300 Address: Suite 1.01, 26 Rodborough Road, Frenchs Forest, NSW, 2086, Australia.
France (Raymarine subsidiary)	Telephone: +33 (0)1 46 49 72 30 Address: 35 avenue Michel Crépeau, 17000 La Rochelle - France.
Germany (Raymarine subsidiary)	Telephone: +49 40 237 808 0 Address: Atlantic-Haus, Zirkusweg 1, 20359 Hamburg.
Italy (Raymarine subsidiary)	Telephone: +39 02 9945 1001 Address: Via L. Manara 2, 20812 Limbiate (MB), Italy.
Spain (Authorized Raymarine distributor)	Telephone: +34 96 2965 102 Email: sat@azimut.es
Netherlands / Benelux (Authorized Raymarine distributor)	Telephone: +31 (0)26 3614 905 Address: Florijnweg 21G, 6883 JN VELD, Nederland.

Region	Contact details
Sweden (Raymarine subsidiary)	Telephone: +46 (0)317 633 670 Address: Bolshedens Industriväg 18, 427 50 Billdal, Sweden.
Finland (Raymarine subsidiary)	Telephone: +358 (0)207 619 937 Address: Suomalaistentie 1-3, 02270 Espoo, Finland.
Norway (Raymarine subsidiary)	Telephone: +47 692 64 600 Address: Årvollskogen 30, 1529 Moss, Norway.
Denmark (Raymarine subsidiary)	Telephone: +45 437 164 64 Address: Centervej 7, 4600 Køge, Denmark.
Russia (Distributor)	Telephone: Tel: +7 495 788 0508 Email: info@mikstmarine.ru

Viewing product information

Use the *[Settings]* menu to view hardware and software information about your display, and connected products.



1. Select *[Settings]*, from the Homescreen.
The *[Getting started]* menu contains hardware and software information for your display.
2. You can view further information about your display, or view information about products networked using SeaTalk HS and SeaTalk NG / NMEA 2000, by selecting the *[Network]* tab, then:
 - i. to display detailed software information and your display's network IP address, select your display from the list.
 - ii. to display detailed diagnostics information for all products, select *[Product info]* from the *[Diagnostics]* pop over menu.

Remote Support via AnyDesk

LightHouse 3 software versions v3.13 or later support remote support functions via the preloaded AnyDesk app.

The AnyDesk app enables a Raymarine Product Support representative to remotely connect to and control your display over an Internet connection, for the purposes of technical support and troubleshooting.

To get started, you will first need to contact Raymarine Product Support. If the representative considers that your support case would benefit from a remote session, you need to first ensure that

your display has an active Internet connection via Wi-Fi. Next, launch the AnyDesk app from your display's homescreen, and then provide the displayed unique ID to the Raymarine Product Support representative. Then follow any further instructions provided to you by the representative.

Attention

- **AnyDesk is provided for troubleshooting and support purposes only, and is NOT intended to perform remote functions on your vessel. Raymarine will NOT be held liable for damage or injury to equipment or persons caused by the use of a remote connection to your display.**
- **Do not disclose your AnyDesk ID to anyone other than authorized Raymarine Product Support personnel.**
- **Do not use the AnyDesk app to remotely activate connected devices such as Autopilot, Radar or Sonar hardware.**

20.2 Learning resources

Raymarine has produced a range of learning resources to help you get the most out of your products.

Video tutorials

Raymarine official channel on YouTube

- <http://www.youtube.com/user/RaymarineInc>

Training courses

Raymarine regularly runs a range of in-depth training courses to help you make the most of your products. Visit the Training section of the Raymarine website for more information:

- www.bit.ly/rym-training

Technical support forum

You can use the Technical support forum to ask a technical question about a Raymarine product or to find out how other customers are using their Raymarine equipment. The resource is regularly updated with contributions from Raymarine customers and staff:

- www.bit.ly/rym-support

CHAPTER 21: TECHNICAL SPECIFICATION — AXIOM+ 7

CHAPTER CONTENTS

- 21.1 Physical specification — page 97
- 21.2 Power specification — page 97
- 21.3 Environmental specification — page 97
- 21.4 LCD specification — page 97
- 21.5 Network specification — page 97
- 21.6 Storage specification — page 98
- 21.7 RealVision 3D sonar specification — page 98
- 21.8 Internal GNSS (GPS / GLONASS) receiver specification — page 98

21.1 Physical specification

Specification	
Dimensions (trunnion mounted):	For more information on the trunnion mounting dimensions that are applicable to your display, refer to: <ul style="list-style-type: none">• p.30 — Axiom+ 7 trunnion mount dimensions
Dimensions (surface / flush mounted):	For more information on the surface / flush mounting dimensions that are applicable to your display, refer to: <ul style="list-style-type: none">• p.30 — Axiom+ 7 surface and flush mount dimensions

21.2 Power specification

Specification	
Nominal supply voltage:	12 V dc
Operating voltage range:	8 V dc to 16 V dc
Inline fuse / thermal breaker ratings:	For more information on the recommended inline fuse and thermal breaker ratings, refer to: <ul style="list-style-type: none">• p.60 — Inline fuse and thermal breaker ratings
Power consumption (max):	<ul style="list-style-type: none">• Chartplotter only display variants — 7.34 W• RV 3D display variants — 9.84 W

Note:
Power consumption figures for RV 3D display variants were taken with an RV-100-Series transducer connected.

21.3 Environmental specification

Specification	
Operating temperature range:	-25° C (-13° F) to + 55° C (131° F)
Storage temperature range:	-30° C (-22° F) to + 70° C (158° F)
Humidity:	Up to 93% @ 40° C (104° F)
Water ingress protection:	IPx6 and IPx7

21.4 LCD specification

Specification	
Size (diagonal):	7.0"
Type:	IPS (In-Plane Switching)
Color depth:	24 bit
Resolution:	WSVGA 1024 x 600
Ratio:	15.4:9
Illumination:	1500 nits / 1500 cd/m ²
Protective coating:	Oleophobic
Viewing angle:	Top 85 / Bottom 85 / Left 85 / Right 85
Number of simultaneous touches:	2

21.5 Network specification

Specification	
Transducer:	(Axiom+ RV 3D display variants only) 1x 25-pin RealVision type connector
NMEA 2000:	1 x DeviceNet male connector (built into power cable.)
Accessory:	1 x USB Micro B

Specification	
Network:	1 x RayNet (Ethernet) connector (10/100 Mbits/s)
Wi-Fi:	1 x 802.11/b/g/n
Bluetooth:	1 x Bluetooth V4.0
LEN (Load Equivalency Number):	1

21.6 Storage specification

Specification	
Internal:	16 Gbyte Solid State
External MicroSD card:	1 x MicroSDXC card slot
External (via RCR-SDUSB accessory):	<ul style="list-style-type: none"> • 1 x SD card slot • 1 x USB A
External (via RCR-2 accessory):	2 x MicroSDHC card slots

21.7 RealVision 3D sonar specification

The following specification only applies to RealVision 3D products.

Specification	
Sonar channels: <i>(Output power / Responsive Frequency Range)</i>	<ul style="list-style-type: none"> • RealVision 3D (70 W / 350 kHz ± 5%) • SideVision (70 W / 350 kHz ± 5%) • DownVision (35 W / 350 kHz ± 5%) • Conical CHIRP: High (100 W / 200 kHz ± 5%)
Sensors:	<ul style="list-style-type: none"> • Temperature sensor • AHRS (Attitude and Heading Reference System) sensor

21.8 Internal GNSS (GPS / GLONASS) receiver specification

Specification	
Cold start:	<2 minutes
Receiver IC Sensitivity:	<ul style="list-style-type: none"> • 165 dBm (Tracking) • 160 dBm (Acquisition) • 148 dBm (Cold start)
GNSS compatibility:	<ul style="list-style-type: none"> • GPS • GLONASS • BeiDou
SBAS compatibility:	<ul style="list-style-type: none"> • EGNOS • GAGAN • MSAS • QZSS • WAAS
Operating frequency:	1574 MHz to 1605 MHz
Signal Acquisition:	Automatic
Almanac Update:	Automatic
Geodetic Datum:	WGS-84 (alternatives can be selected on the MFD)
Refresh Rate:	10 Hz (10 times per second)
Antenna:	<ul style="list-style-type: none"> • Internal — Ceramic chip mounted near top of unit
Position Accuracy:	<ul style="list-style-type: none"> • Without SBAS: ≤ 15 metres 95% of the time • With SBAS: ≤ 5 metres 95% of the time

CHAPTER 22: TECHNICAL SPECIFICATION — AXIOM+ 9

CHAPTER CONTENTS

- 22.1 Physical specification — page 100
- 22.2 Power specification — page 100
- 22.3 Environmental specification — page 100
- 22.4 LCD specification — page 100
- 22.5 Network specification — page 100
- 22.6 Storage specification — page 101
- 22.7 RealVision 3D sonar specification — page 101
- 22.8 Internal GNSS (GPS / GLONASS) receiver specification — page 101

22.1 Physical specification

Specification	
Dimensions (trunnion mounted):	For more information on the trunnion mounting dimensions that are applicable to your display, refer to: <ul style="list-style-type: none">• p.31 — Axiom+ 9 and 12 trunnion mount dimensions
Dimensions (surface / flush mounted):	For more information on the surface / flush mounting dimensions that are applicable to your display, refer to: <ul style="list-style-type: none">• p.32 — Axiom+ 9 and 12 surface and flush mount dimensions

22.2 Power specification

Specification	
Nominal supply voltage:	12 V dc
Operating voltage range:	8 V dc to 16 V dc
Inline fuse / thermal breaker ratings:	For more information on the recommended inline fuse and thermal breaker ratings, refer to: <ul style="list-style-type: none">• p.60 — Inline fuse and thermal breaker ratings
Power consumption (max):	<ul style="list-style-type: none">• Chartplotter only display variants — 8.95 W• RV 3D display variants — 11.98 W

Note:
Power consumption figures for RV 3D display variants were taken with an RV-100-Series transducer connected.

22.3 Environmental specification

Specification	
Operating temperature range:	-25° C (-13° F) to + 55° C (131° F)
Storage temperature range:	-30° C (-22° F) to + 70° C (158° F)
Humidity:	Up to 93% @ 40° C (104° F)
Water ingress protection:	IPx6 and IPx7

22.4 LCD specification

Specification	
Size (diagonal):	9.0"
Type:	IPS (In-Plane Switching)
Color depth:	24 bit
Resolution:	HD 1280 x 720
Ratio:	16:9
Illumination:	1500 nits / 1500 cd/m ²
Protective coating:	Oleophobic
Viewing angle:	Top 85 / Bottom 85 / Left 85 / Right 85
Number of simultaneous touches:	2

22.5 Network specification

Specification	
Transducer:	(Axiom+ RV 3D display variants only) 1x 25-pin RealVision type connector
NMEA 2000:	1 x DeviceNet male connector (built into power cable.)
Accessory:	1 x USB Micro B

Specification	
Network:	1 x RayNet (Ethernet) connector (10/100 Mbits/s)
Wi-Fi:	1 x 802.11/b/g/n
Bluetooth:	1 x Bluetooth V4.0
LEN (Load Equivalency Number):	1

22.6 Storage specification

Specification	
Internal:	16 Gbyte Solid State
External MicroSD card:	1 x MicroSDXC card slot
External (via RCR-SDUSB accessory):	<ul style="list-style-type: none"> • 1 x SD card slot • 1 x USB A
External (via RCR-2 accessory):	2 x MicroSDHC card slots

22.7 RealVision 3D sonar specification

The following specification only applies to RealVision 3D products.

Specification	
Sonar channels: <i>(Output power / Responsive Frequency Range)</i>	<ul style="list-style-type: none"> • RealVision 3D (70 W / 350 kHz ± 5%) • SideVision (70 W / 350 kHz ± 5%) • DownVision (35 W / 350 kHz ± 5%) • Conical CHIRP: High (100 W / 200 kHz ± 5%)
Sensors:	<ul style="list-style-type: none"> • Temperature sensor • AHRS (Attitude and Heading Reference System) sensor

22.8 Internal GNSS (GPS / GLONASS) receiver specification

Specification	
Cold start:	<2 minutes
Receiver IC Sensitivity:	<ul style="list-style-type: none"> • 165 dBm (Tracking) • 160 dBm (Acquisition) • 148 dBm (Cold start)
GNSS compatibility:	<ul style="list-style-type: none"> • GPS • GLONASS • BeiDou
SBAS compatibility:	<ul style="list-style-type: none"> • EGNOS • GAGAN • MSAS • QZSS • WAAS
Operating frequency:	1574 MHz to 1605 MHz
Signal Acquisition:	Automatic
Almanac Update:	Automatic
Geodetic Datum:	WGS-84 (alternatives can be selected on the MFD)
Refresh Rate:	10 Hz (10 times per second)
Antenna:	<ul style="list-style-type: none"> • Internal — Ceramic chip mounted near top of unit
Position Accuracy:	<ul style="list-style-type: none"> • Without SBAS: ≤ 15 metres 95% of the time • With SBAS: ≤ 5 metres 95% of the time

CHAPTER 23: TECHNICAL SPECIFICATION — AXIOM+ 12

CHAPTER CONTENTS

- 23.1 Physical specification — page 103
- 23.2 Power specification — page 103
- 23.3 Environmental specification — page 103
- 23.4 LCD specification — page 103
- 23.5 Network specification — page 103
- 23.6 Storage specification — page 104
- 23.7 RealVision 3D sonar specification — page 104
- 23.8 Internal GNSS (GPS / GLONASS) receiver specification — page 104

23.1 Physical specification

Specification	
Dimensions (trunnion mounted):	For more information on the trunnion mounting dimensions that are applicable to your display, refer to: <ul style="list-style-type: none">• p.31 — Axiom+ 9 and 12 trunnion mount dimensions
Dimensions (surface / flush mounted):	For more information on the surface / flush mounting dimensions that are applicable to your display, refer to: <ul style="list-style-type: none">• p.32 — Axiom+ 9 and 12 surface and flush mount dimensions

23.2 Power specification

Specification	
Nominal supply voltage:	12 V dc
Operating voltage range:	8 V dc to 16 V dc
Inline fuse / thermal breaker ratings:	For more information on the recommended inline fuse and thermal breaker ratings, refer to: <ul style="list-style-type: none">• p.60 — Inline fuse and thermal breaker ratings
Power consumption (max):	<ul style="list-style-type: none">• Chartplotter only display variants — 15.48 W• RV 3D display variants — 18.96 W

Note:
Power consumption figures for RV 3D display variants were taken with an RV-100-Series transducer connected.

23.3 Environmental specification

Specification	
Operating temperature range:	-25° C (-13° F) to + 55° C (131° F)
Storage temperature range:	-30° C (-22° F) to + 70° C (158° F)
Humidity:	Up to 93% @ 40° C (104° F)
Water ingress protection:	IPx6 and IPx7

23.4 LCD specification

Specification	
Size (diagonal):	12.1"
Type:	IPS (In-Plane Switching)
Color depth:	24 bit
Resolution:	WXGA 1280 x 800
Ratio:	16:10
Illumination:	1800 nits / 1800 cd/m ²
Protective coating:	Oleophobic
Viewing angle:	Top 88 / Bottom 88 / Left 88 / Right 88
Number of simultaneous touches:	1 to 16

23.5 Network specification

Specification	
Transducer:	(Axiom+ RV 3D display variants only) 1x 25-pin RealVision type connector
NMEA 2000:	1 x DeviceNet male connector (built into power cable.)
Accessory:	1 x USB Micro B

Specification	
Network:	1 x RayNet (Ethernet) connector (10/100 Mbits/s)
Wi-Fi:	1 x 802.11/b/g/n
Bluetooth:	1 x Bluetooth V4.0
LEN (Load Equivalency Number):	1

23.6 Storage specification

Specification	
Internal:	16 Gbyte Solid State
External MicroSD card:	1 x MicroSDXC card slot
External (via RCR-SDUSB accessory):	<ul style="list-style-type: none"> • 1 x SD card slot • 1 x USB A
External (via RCR-2 accessory):	2 x MicroSDHC card slots

23.7 RealVision 3D sonar specification

The following specification only applies to RealVision 3D products.

Specification	
Sonar channels: <i>(Output power / Responsive Frequency Range)</i>	<ul style="list-style-type: none"> • RealVision 3D (70 W / 350 kHz ± 5%) • SideVision (70 W / 350 kHz ± 5%) • DownVision (35 W / 350 kHz ± 5%) • Conical CHIRP: High (100 W / 200 kHz ± 5%)
Sensors:	<ul style="list-style-type: none"> • Temperature sensor • AHRS (Attitude and Heading Reference System) sensor

23.8 Internal GNSS (GPS / GLONASS) receiver specification

Specification	
Cold start:	<2 minutes
Receiver IC Sensitivity:	<ul style="list-style-type: none"> • 165 dBm (Tracking) • 160 dBm (Acquisition) • 148 dBm (Cold start)
GNSS compatibility:	<ul style="list-style-type: none"> • GPS • GLONASS • BeiDou
SBAS compatibility:	<ul style="list-style-type: none"> • EGNOS • GAGAN • MSAS • QZSS • WAAS
Operating frequency:	1574 MHz to 1605 MHz
Signal Acquisition:	Automatic
Almanac Update:	Automatic
Geodetic Datum:	WGS-84 (alternatives can be selected on the MFD)
Refresh Rate:	10 Hz (10 times per second)
Antenna:	<ul style="list-style-type: none"> • Internal — Ceramic chip mounted near top of unit
Position Accuracy:	<ul style="list-style-type: none"> • Without SBAS: ≤ 15 metres 95% of the time • With SBAS: ≤ 5 metres 95% of the time

CHAPTER 24: SPARES AND ACCESSORIES

CHAPTER CONTENTS

- [24.1 Spares — page 106](#)
- [24.2 Accessories — page 106](#)
- [24.3 RayNet to RayNet cables and connectors — page 108](#)
- [24.4 RayNet to RJ45, and RJ45 \(SeaTalk HS\) adapter cables — page 110](#)
- [24.5 SeaTalk NG cables and accessories — page 112](#)

24.1 Spares

The following spares are available for your product:

Part	Description
R70523	Power / DeviceNet combined cable 1.5m (4.92 ft)
R70561	Right angled Power / DeviceNet combined cable 1.5m (4.92 ft)
R70525	7" Trunnion mount suncover
R70526	7" Rear cover (for trunnion and rear installation)
R70527	7" Surface mount suncover
R70528	7" Rear mounting kit, includes: <ul style="list-style-type: none">• 2 x Metal brackets• 4 x Studs• 4 x Thumb nuts
R70524	7" Metal trunnion mounting kit, includes: <ul style="list-style-type: none">• 1x Trunnion bracket• 2x Knobs
R70529	9" Metal trunnion mounting kit <ul style="list-style-type: none">• 1x Trunnion bracket• 2x Knobs
R70530	9" Trunnion mount suncover
R70531	9" Rear mounting kit, includes: <ul style="list-style-type: none">• 2 x Metal brackets• 4 x Studs• 4 x Thumb nuts
R70532	12" Metal trunnion mounting kit, includes: <ul style="list-style-type: none">• 1x Trunnion bracket• 2x Knobs

Part	Description
R70533	12" Trunnion mount suncover
R70534	12" Rear mounting kit, includes: <ul style="list-style-type: none">• 2 x Metal brackets• 4 x Studs• 4 x Thumb nuts

24.2 Accessories

The following accessories are available for your product:

Part	Description
A80440	RCR-SDUSB — external MicroSD and USB reader
A80515	Right-angled RV transducer adaptor cable
A80498	7" Front installation kit, includes: <ul style="list-style-type: none">• Front mount adaptor• 2 x bezel pieces• 4 x self-tapping screws• Front mount suncover
A80499	7" Front mount suncover
A80500	9" Front installation kit, includes: <ul style="list-style-type: none">• Front mount adaptor• 2 x bezel pieces• 4 x self-tapping screws• Front mount suncover
A80501	9" Front mount suncover

Part	Description
A80502	12" Front installation kit, includes: <ul style="list-style-type: none"> • Front mount adaptor • 2 x bezel pieces • 4 x self-tapping screws • Front mount suncover
A80503	12" Front mount suncover

Legacy MFD adaptor plates

Adaptor plates are available to enable installation of an Axiom+ MFD in the place of a legacy MFD.

Existing legacy MFD	Adaptor part number	New MFD	Fixing holes
a9x	A80526	Axiom+ 9	Existing
a12x	A80527	Axiom+ 12	New
c12x / e12x	A80528	Axiom+ 12	Existing
C70 Classic	A80525	Axiom+ 9	New
C80 / E80 Classic	A80564	Axiom+ 9	Existing
C120 / E120 Classic	A80529	Axiom+ 12	Existing
e7 / e7D	A80524	Axiom+ 7	Existing

Note:

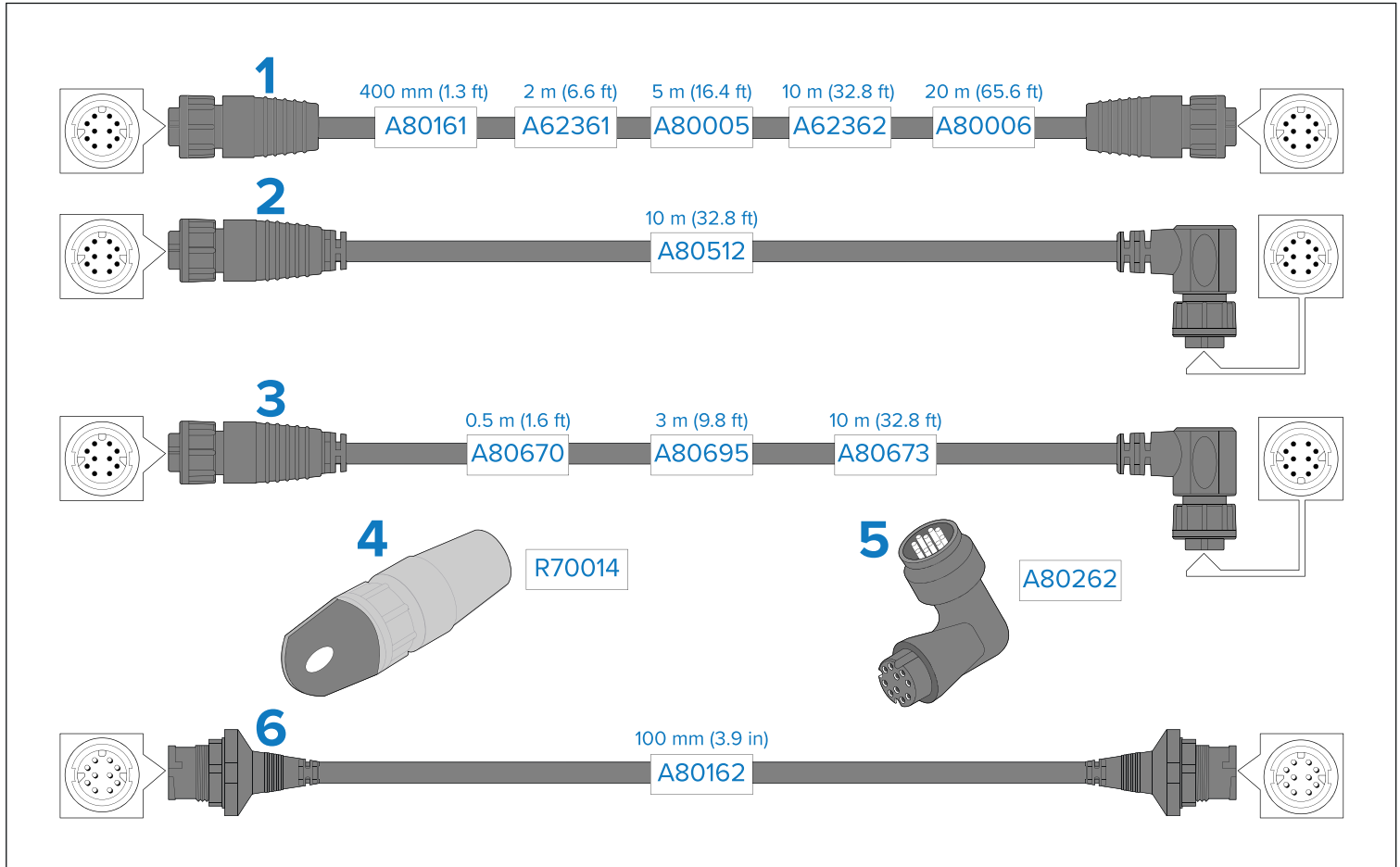
The adaptor plates have been designed to utilize your legacy MFD's existing cut out and fixing holes. In instances where it is not possible to reuse the existing fixing holes, a mounting template will be supplied with the adaptor plate which provides the location for the new fixing holes.

Axiom+ RV 3D variant — Transducer adaptor cables

The following adaptor cables enable an Axiom+ RV 3D display to be connected to a wider selection of transducers.

Part	Description
A80488	25-pin RV to 7-pin embedded transducer adaptor cable.
A80489	25-pin RV to 8-pin CP370 transducer adaptor cable.
A80490	25-pin RV to 9-pin DV transducer adaptor cable.
A80491	25-pin RV to 25-pin RV & 7-pin embedded transducers Y-cable.
A80492	25-pin RV to 25-pin RV & 8-pin CP370 transducers Y-cable.
A80493	25-pin RV to 7-pin embedded & 9-pin DV transducers Y-cable.
A80494	25-pin RV to 8-pin CP370 & 9-pin DV transducers Y-cable.

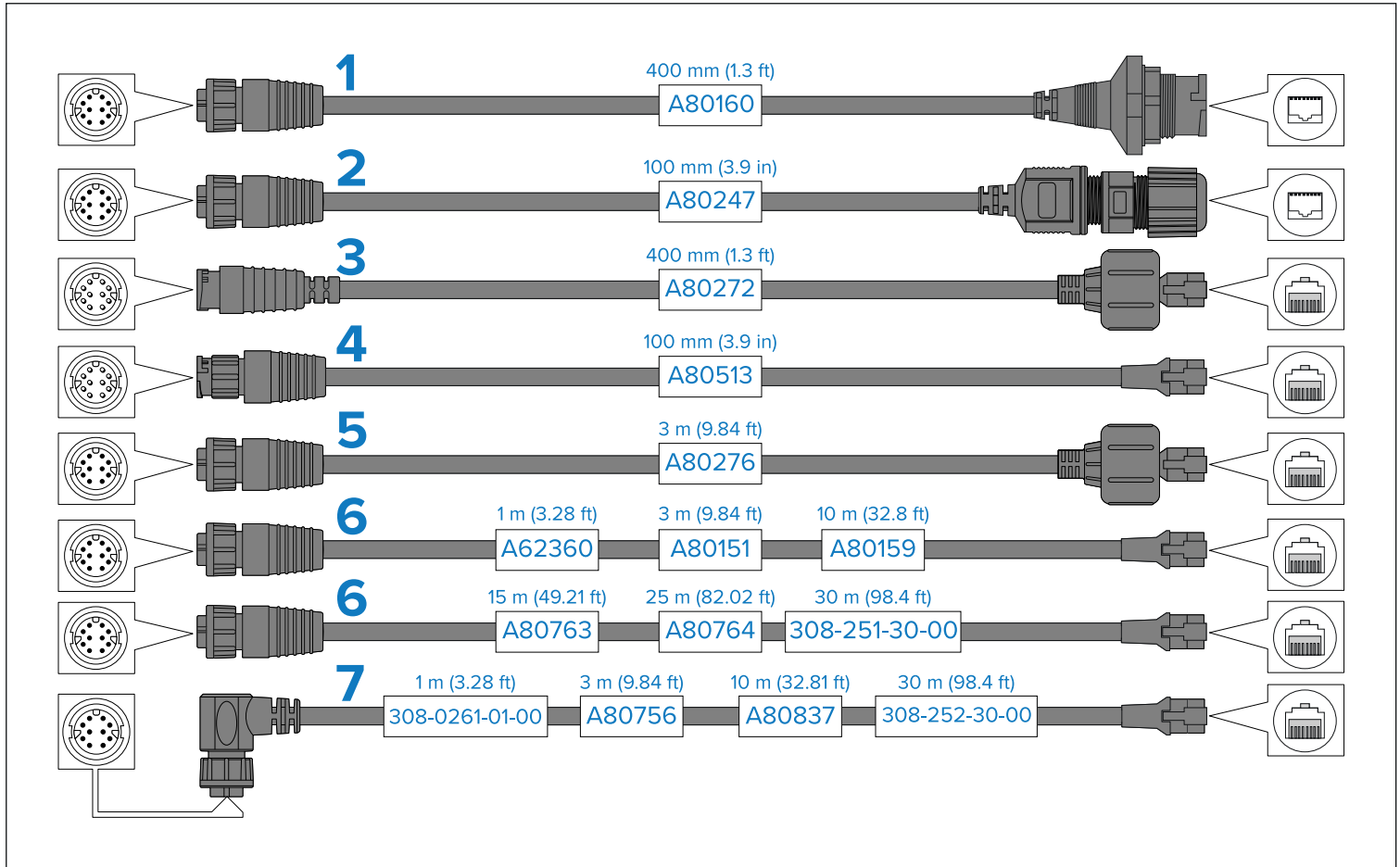
24.3 RayNet to RayNet cables and connectors



1. Standard RayNet connection cable with a RayNet (female) socket on both ends.
2. Right-angle RayNet connection cable with a straight RayNet (female) socket on one end, and a right-angle RayNet (female) socket on the other. Suitable for connecting at 90° (right angle) to a device, for installations where space is limited.
3. Right-angle RayNet connection cable with a straight RayNet (female) socket on one end, and a right-angle RayNet (female) socket on the other. Available as an alternative to the (A80512) accessory cable, for installations which require an alternate cable routing direction.
4. RayNet cable puller (5 pack).

5. RayNet to RayNet right-angle coupler / adapter. Suitable for connecting RayNet cables at 90° (right angle) to devices, for installations where space is limited.
6. Adapter cable with a RayNet (male) plug on both ends. Suitable for joining (female) RayNet cables together for longer cable runs.

24.4 RayNet to RJ45, and RJ45 (SeaTalk HS) adapter cables



1. Adapter cable with a RayNet (female) socket on one end, and a waterproof (female) RJ45 (SeaTalk HS) socket on the other end, accepting the following cables with an RJ45 (SeaTalk HS) waterproof locking (male) plug:
 - A62245 (1.5 m).
 - A62246 (15 m).
2. Adapter cable with a RayNet (female) socket on one end, and a waterproof (female) RJ45 (SeaTalk HS) socket on the other end, along with a locking gland for a watertight fit.
3. Adapter cable with a RayNet (male) plug on one end, and an RJ45 (SeaTalk HS) waterproof (male) plug on the other end.

4. Adapter cable with a RayNet (male) plug on one end, and an RJ45 (male) plug on the other end.
5. Adapter cable with a RayNet (female) socket on one end, and an RJ45 (SeaTalk HS) waterproof (male) plug on the other end.
6. Adapter cable with a RayNet (female) socket on one end, and an RJ45 (male) plug on the other end.
7. Adapter cable with a right-angled RayNet (female) socket on one end, and an RJ45 (male) plug on the other end.

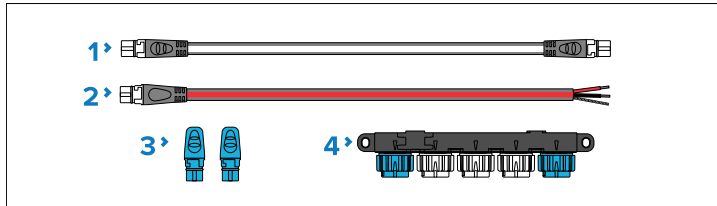
24.5 SeaTalk NG cables and accessories

SeaTalk NG cables and accessories for use with compatible products.

SeaTalk NG kits

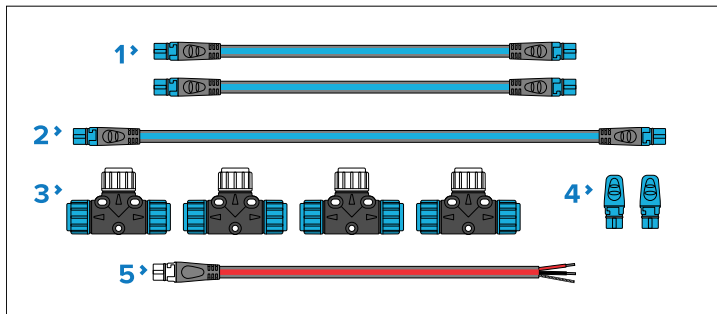
SeaTalk NG kits enable you to create a simple SeaTalk NG backbone.

Starter kit (part number: T70134) consists of:



- 1 x Spur cable 3 m (9.8 ft) (part number: **A06040**). Used to connect device to the SeaTalk NG backbone.
- 1 x Power cable 2 m (6.6 ft) (part number: **A06049**). Used to provide 12 V dc power to the SeaTalk NG backbone.
- 2 x Backbone terminators (part number: **A06031**). Terminators must be fitted to both ends of the SeaTalk NG backbone.
- 1 x 5-Way connector (part number: **A06064**). Each connector block allows connection of up to 3 SeaTalk NG devices. Multiple connector blocks can be 'daisy chained' together.

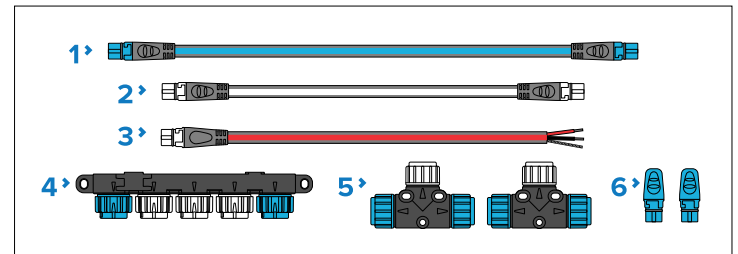
Backbone kit (part number: A25062) consists of:



- 2 x Backbone cables 5 m (16.4 ft) (part number: **A06036**). Used to create and extend the SeaTalk NG backbone.

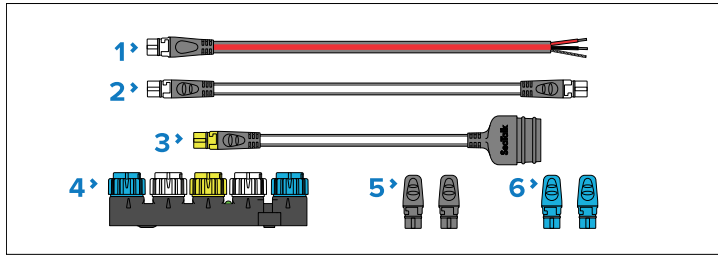
- 1 x Backbone cable 20 m (65.6 ft) (part number: **A06037**). Used to create and extend the SeaTalk NG backbone.
- 4 x T-piece (part number: **A06028**). Each T-piece allows connection of one SeaTalk NG device. Multiple T-pieces can be 'daisy chained' together.
- 2 x Backbone terminators (part number: **A06031**). Terminators must be fitted to both ends of the SeaTalk NG backbone.
- 1 x Power cable 2 m (6.6 ft) (part number: **A06049**). Used to provide 12 V dc power to the SeaTalk NG backbone.

Evolution-Series autopilot cable kit (part number: R70160) consists of:



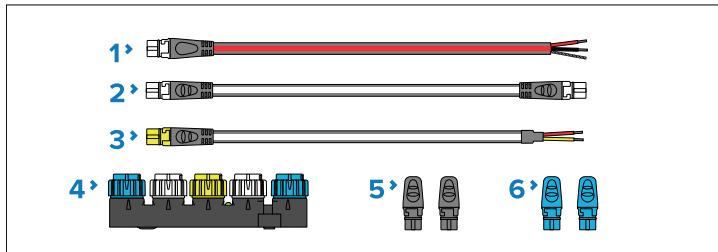
- 1 x Backbone cable 5 m (16.4 ft) (part number: **A06036**). Used to create and extend the SeaTalk NG backbone.
- 1 x Spur cable 1 m (3.3 ft) (part number: **A06040**). Used to connect device to the SeaTalk NG backbone.
- 1 x Power cable 2 m (6.6 ft) (part number: **A06049**). Used to provide 12 V dc power to the SeaTalk NG backbone.
- 1 x 5-Way connector (part number: **A06064**). Each connector block allows connection of up to 3 SeaTalk NG devices. Multiple connector blocks can be 'daisy chained' together.
- 2 x T-pieces (part number: **A06028**). Each T-piece allows connection of one SeaTalk NG device. Multiple T-pieces can be 'daisy chained' together.
- 2 x Backbone terminators (part number: **A06031**). Terminators must be fitted to both ends of the SeaTalk NG backbone.

SeaTalk 1 to SeaTalk NG converter kit (part number: E22158) consists of:



- 1 x Power cable 2 m (6.6 ft) (part number: **A06049**). Used to provide 12 V dc power to the SeaTalk NG backbone.
- 1 x Spur cable 1 m (3.3 ft) (part number: **A06039**). Used to connect a device to the SeaTalk NG backbone.
- 1 x SeaTalk 1 (3 pin) to SeaTalk NG adapter cable 0.4 m (1.3 ft) (part number: **A22164**). Used to connect SeaTalk 1 devices to the SeaTalk NG backbone via the SeaTalk 1 to SeaTalk NG converter.
- 1 x SeaTalk 1 to SeaTalk NG converter (part number: **E22158**). Each converter allows connection of one SeaTalk 1 device and up to 2 SeaTalk NG devices.
- 2 x Spur blanking plugs (part number: **A06032**). Used to cover unused spur connections in 5-way blocks, T-piece connectors and SeaTalk 1 to SeaTalk NG converter.
- 2 x Backbone terminators (part number: **A06031**). Terminators must be fitted to both ends of the SeaTalk NG backbone.

NMEA 0183 VHF 2-wire to SeaTalk NG converter kit (part number: E70196) consists of:

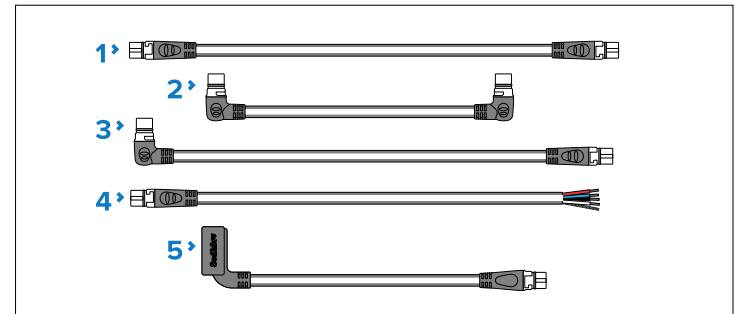


- 1 x Power cable 2 m (6.6 ft) (part number: **A06049**). Used to provide 12 V dc power to the SeaTalk NG backbone.
- 1 x Spur cable 1 m (3.3 ft) (part number: **A06039**). Used to connect a device to the SeaTalk NG backbone.

- 1 x NMEA 0183 VHF stripped-end (2-wire) to SeaTalk NG adapter cable 1 m (3.3 ft) (part number: **A06071**). Used to connect an NMEA 0183 VHF radio to the SeaTalk NG backbone via the NMEA 0183 to SeaTalk NG converter.
- 1 x SeaTalk 1 to SeaTalk NG converter (part number: **E22158**). Each converter allows connection of one SeaTalk 1 device and up to 2 SeaTalk NG devices.
- 2 x Spur blanking plugs (part number: **A06032**). Used to cover unused spur connections in 5-way blocks, T-piece connectors, and the SeaTalk 1 to SeaTalk NG converter.
- 2 x Backbone terminators (part number: **A06031**). Terminators must be fitted to both ends of the SeaTalk NG backbone.

SeaTalk NG spur cables

SeaTalk NG spur cables are required to connect devices to the SeaTalk NG backbone.



- SeaTalk NG spur cables:
 - Spur cable 0.4 m (1.3 ft) (part number: **A06038**).
 - Spur cable 1 m (3.3 ft) (part number: **A06039**).
 - Spur cable 3 m (9.8 ft) (part number: **A06040**).
 - Spur cable 5 m (16.4 ft) (part number: **A06041**).
- Elbow (right-angled) to elbow (right-angled) spur cable 0.4 m (1.3 ft) (part number: **A06042**). Used in confined spaces where a straight spur cable will not fit.
- Elbow (right-angled) to straight spur cable 1 m (3.3 ft) (part number: **A06081**). Used in confined spaces where a straight spur cable will not fit.

4. SeaTalk NG to stripped-end spur cables (connects compatible products that do not have a SeaTalk NG connector, such as transducer pods):
 - SeaTalk NG to stripped-end spur cable 1 m (3.3 ft) (part number: **A06043**)
 - SeaTalk NG to stripped-end spur cable 3 m (9.8 ft) (part number: **A06044**)
5. ACU-Series / SPX-Series autopilot to SeaTalk NG spur cable 0.3 m (1.0 ft) (part number **R12112**). Connects the course computer to the SeaTalk NG backbone. This connection can also be used to provide 12 V dc power to the SeaTalk NG backbone.

SeaTalk NG backbone cables

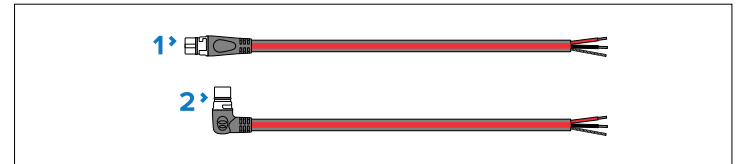
SeaTalk NG backbone cables are used to create or extend a SeaTalk NG backbone.



1. Backbone cables:
 - Backbone cable 0.4 m (1.3 ft) (part number: **A06033**).
 - Backbone cable 1 m (3.3 ft) (part number: **A06034**).
 - Backbone cable 3 m (9.8 ft) (part number: **A06035**).
 - Backbone cable 5 m (16.4 ft) (part number: **A06036**).
 - Backbone cable 9 m (29.5 ft) (part number: **A06068**).
 - Backbone cable 20 m (65.6 ft) (part number: **A06037**).
2. SeaTalk NG to DeviceNet (female) Backbone cable 0.4 m (1.3 ft) (part number: **A80675**)
3. SeaTalk NG to DeviceNet (male) Backbone cable 0.4 m (1.3 ft) (part number: **A80674**)

SeaTalk NG power cables

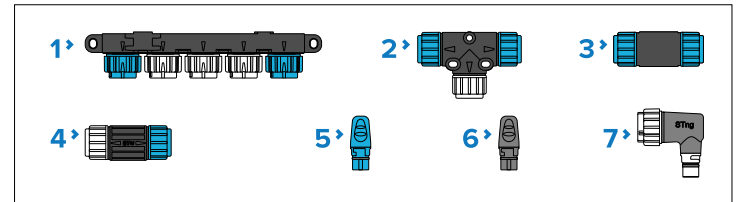
SeaTalk NG power cables are used to provide the SeaTalk NG backbone with a single 12 V dc power source. The power connection must include a 5 amp inline fuse (not supplied).



1. Power cable (straight) 2 m (6.6 ft) (part number: **A06049**).
2. Elbow (right-angled) power cable 2 m (6.6 ft) (part number: **A06070**).

SeaTalk NG connectors

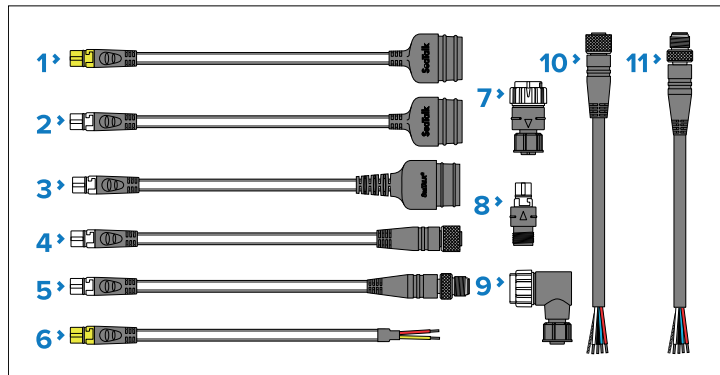
SeaTalk NG connectors are used to connect SeaTalk NG devices to the SeaTalk NG backbone and to create and extend the backbone.



1. 5-Way connector (part number: **A06064**). Each connector block allows connection of up to 3 SeaTalk NG devices. Multiple connector blocks can be 'daisy chained' together.
2. T-piece (part number: **A06028**). Each T-piece allows connection of one SeaTalk NG device. Multiple T-pieces can be 'daisy chained' together.
3. Backbone extender (part number: **A06030**). Used to connect 2 backbone cables together.
4. Inline terminator (part number: **A80001**). Used to connect a spur cable and SeaTalk NG device at the end of a backbone instead of a backbone terminator.
5. Backbone terminator (part number: **A06031**). Terminators must be fitted to both ends of the SeaTalk NG backbone.
6. Spur blanking plug (part number: **A06032**). Used to cover unused spur connections in 5-Way blocks, T-piece connectors, or the SeaTalk 1 to SeaTalk NG converter.
7. Elbow (right-angled) spur connector (part number: **A06077**). Used in confined spaces where a straight spur cable will not fit.

SeaTalk NG adaptors and adaptor cables

SeaTalk NG adaptor cables are used to connect devices designed for different CAN Bus backbones (e.g.: SeaTalk 1 or DeviceNet) to the SeaTalk NG backbone.



1. SeaTalk 1 (3 pin) to SeaTalk NG converter cable 1 m (3.3 ft) (part number: **A22164 / A06073**). Can be used to connect a SeaTalk 1 device to a SeaTalk NG backbone via the SeaTalk 1 to SeaTalk NG converter, or to connect a SeaTalk NG product directly to a SeaTalk 1 network.
2. SeaTalk 1 (3 pin) to SeaTalk NG adaptor cable 0.4 m (1.3 ft) (part number: **A06047**). Can be used to connect a SeaTalk 1 device to a SeaTalk NG backbone via the SeaTalk 1 to SeaTalk NG converter, or to connect a SeaTalk NG product directly to a SeaTalk 1 network.
3. SeaTalk 2 (5 pin) to SeaTalk NG adaptor cable 0.4 m (1.3 ft) (part number: **A06048**). Used to connect SeaTalk 2 devices or networks to a SeaTalk NG backbone.
4. SeaTalk NG to DeviceNet (female) adaptor cables connect NMEA 2000 devices that use a DeviceNet connector to the SeaTalk NG backbone, or connects SeaTalk NG devices to an NMEA 2000 network. The following cables are available:
 - SeaTalk NG to DeviceNet (female) adaptor cable 0.4 m (1.3 ft) (part number: **A06045**).
 - SeaTalk NG to DeviceNet (female) adaptor cable 1 m (3.3 ft) (part number: **A06075**).
5. SeaTalk NG to DeviceNet (male) adaptor cables. Connect NMEA 2000 devices that use a DeviceNet connector to the SeaTalk NG backbone, or connect SeaTalk NG devices to an NMEA 2000 network. The following cables are available:
 - SeaTalk NG to DeviceNet (male) adaptor cable 0.1 m (0.33 ft) (part number: **A06078**).
 - SeaTalk NG to DeviceNet (male) adaptor cable 0.4 m (1.3 ft) (part number: **A06074**).
 - SeaTalk NG to DeviceNet (male) adaptor cable 1 m (3.3 ft) (part number: **A06076**).
 - SeaTalk NG to DeviceNet (male) adaptor cable 1.5 m (4.92 ft) (part number: **A06046**).
6. NMEA 0183 stripped-end (2-wire) to SeaTalk NG adapter cable 1 m (3.3 ft) (part number: **A06071**). Used to connect an NMEA 0183 VHF radio to the SeaTalk NG backbone via the NMEA 0183 to SeaTalk NG converter.
7. SeaTalk NG (male) to DeviceNet (female) adaptor (**A06082***).
8. SeaTalk NG (female) to DeviceNet (male) adaptor (**A06083***).
9. SeaTalk NG (male) to DeviceNet (female) elbow (right-angled) adaptor (**A06084***).
10. DeviceNet (female) to stripped-end adaptor cable (0.4 m (1.3 ft)) (part number: **E05026**).
11. DeviceNet (male) to stripped-end adaptor cable (0.4 m (1.3 ft)) (part number: **E05027**).

Important:

* Do NOT connect the A06082, A06083, or A06084 adaptors directly to a backbone. Only connect as part of a **spur** connection between backbone and device.

Appendix A NMEA 2000 PGNs

For a list of supported NMEA 2000 PGNs, please refer to the relevant Operations manual for your display:

[p.81 – Operation instructions](#)

Appendix B Legacy eS and gS Series compatibility with Axiom+ displays

As Raymarine continues to develop new features and capabilities for the LightHouse 4 operating system, the ability to downgrade some Axiom-Series models to LightHouse software v3.11.42 (for the purposes of allowing mixed networks of Axiom-Series and legacy eS/gS Series displays) has ended.

The following table lists the Axiom+ display's compatibility status with legacy eS/gS Series displays.

Display	Compatibility in mixed systems featuring eS/gS Series displays
Axiom+	No – NOT compatible with eS/gS systems. The LightHouse OS cannot be downgraded

If you wish to continue using a mixed system of newer Axiom+ displays and legacy eS/gS Series displays, you must ensure that these displays are NOT connected on the same RayNet or SeaTalk NG networks.

Appendix C Ethernet (IPv4) networking of Raymarine devices with third-party products

Raymarine uses a custom Ethernet (IPv4) networking configuration. Use the following information to help you understand how Raymarine's Ethernet (IPv4) implementation interacts with third-party Ethernet (IPv4) devices on your vessel, such as routers, switches, Access Points (APs) etc.

Important:

- Third-party networking products such as routers, switches, and Access Points (APs) *may* work when connected to Raymarine networks, when configured correctly. However, correct operation is not guaranteed. It's important to refer to the instructions provided by the relevant third-party device manufacturer, to ensure that your intended use of a third-party device is consistent with the device's design intent.
- Raymarine does not warrant that Raymarine products are compatible with products manufactured by any person or entity other than Raymarine.
- When using third-party products in your Raymarine electronics network, you should be aware of, and understand, the concepts and limitations described in the following Disclaimer: [p.10 — Disclaimer](#)

Overview

- Ethernet (IPv4) networking is a method for interconnecting multiple electronic devices, allowing many devices to function in a network and share data using only a single RJ45 or RayNet connection for each device.
- In order to function correctly, every Ethernet (IPv4) device (whether Raymarine or third-party) must have a unique IP address allocated to it, and it must not conflict with that of any other device.
- IPv4 addresses can be centrally-allocated to devices either **automatically**, using a method known as *DHCP* (Dynamic Host Configuration Protocol), or **manually** (i.e. allocated a static IP address). The most common method for allocating IPv4 addresses on vessel electronics networks is *DHCP*. In this configuration, the *server* device is known as a *DHCP server*.

Client / Server device	Example(s)
Raymarine IPv4 DHCP client	<ul style="list-style-type: none">• Radar scanner (e.g. Quantum-Series)• Sonar module (e.g. CP470)• IP camera (e.g. CAM300)
Raymarine IPv4 DHCP server and self-addressing device	<ul style="list-style-type: none">• Chartplotter (MFD), running LightHouse 3 or LightHouse 4 (e.g. Axiom-Series)• Marine Router (e.g. YachtSense Link)
Third-party IPv4 DHCP client	IP camera
Third-party IPv4 DHCP server	<ul style="list-style-type: none">• Router• Switch• Access Point (AP)

Note:

The DHCP server maintains a pool of IP addresses and “leases” an address to any DHCP-enabled client, when the client device first powers up and announces its presence on the network. Because the IP addresses are dynamic (leased) rather than static (permanently assigned), addresses no longer in use are automatically returned to the DHCP server's pool, for subsequent reallocation.

It's also possible to have multiple DHCP servers issuing addresses on an IPv4 network, but to avoid addressing conflicts, all DHCP servers must be carefully configured to only allocate IP addresses in distinct address ranges. The *subnet mask* must also be carefully configured, to ensure that devices can correctly communicate with one another.

Implementation

- Raymarine Ethernet (IPv4) devices expect to use a private **Raymarine IPv4 network**, which is designed to be internal to the vessel only. Raymarine has carefully chosen a specific IP address range (**198.18.0.0/21**) to ensure that it does not interfere with

any external IP address ranges, or other legacy and real-world addressing constraints (including but not limited to marina Wi-Fi networks).

Note:

Raymarine's IP address range is for **local traffic** within the **vessel's private Raymarine network only**, and does NOT traverse across Raymarine products to external networks, or to the Internet.

- In a Raymarine Ethernet (IPv4) network, IP addresses are self-allocated by certain Raymarine equipment in the following range: **198.18.0.32 to 198.18.3.255** (inclusive). **You must avoid placing any devices in this range using manual (static) IP addresses.**
- Whether your network includes only Raymarine Ethernet (IP) devices, or a mixture of Raymarine and third-party Ethernet (IPv4) devices, you have 3 options for configuring the Ethernet (IPv4) network and managing the IP addresses for your devices:
 1. Use a Raymarine device as the sole DHCP server to allocate IP addresses automatically to all Raymarine and third-party Ethernet (IPv4) devices on the network. **For the purposes of simplicity and reliability, this is the recommended option for most vessels.** The following Raymarine devices can act as DHCP servers:
 - a. **Raymarine chartplotter (MFD)**, running LightHouse 3 or LightHouse 4; or
 - b. **Raymarine YachtSense Link router**

Note:

If both a Raymarine chartplotter (MFD) **and** YachtSense Link router are present in the same network, the YachtSense Link router **MUST** be configured as the DHCP server for that network. To facilitate this, the Raymarine chartplotter's (MFD's) DHCP setting defaults to *Automatic* as standard. On power up, if the YachtSense Link router is detected on the Ethernet network, any chartplotters (MFDs) in the network will disable their own *DHCP Server*, to permit the YachtSense Link router to manage the network's IP addresses. Only Raymarine chartplotters (MFDs) running LightHouse 4 are compatible with the YachtSense Link router. Additionally, the most recent versions of the LightHouse 4 and YachtSense Link software must be used.

2. Use a third-party Ethernet (IPv4) device (such as a router or Access Point) to allocate IP addresses automatically, as a sole *DHCP server*. To do this, refer to the *Configuring a third-party router as DHCP server* section, below.

Note:

Any Raymarine LightHouse 3 or LightHouse 4 chartplotters (MFDs) will still self-allocate their own IP address, even if a third-party DHCP server is being used to allocate IP addresses to other Raymarine or non-Raymarine *DHCP client* devices (Camera, Radar, Sonar etc.) on the network.

3. Manually configure static IP addresses for your devices. The address range **198.18.0.32 to 198.18.3.255** (inclusive) is used by Raymarine equipment, and any other third-party equipment on the network should not be set to a static IP address in this range. It should instead be set elsewhere in the 198.18.0.0/21 range.

Adding third-party devices to your Raymarine Ethernet (IP) network

- It is recommended that any third-party products connecting to a Raymarine Ethernet (IPv4) network (e.g., a third-party IP camera) are configured as DHCP clients, so that they automatically get allocated a correct IP address within the range used by the **Raymarine IPv4 network**. If this is not possible, (for example, in the scenario that your third-party IP Camera requires a static IP address), you should configure the product to have a static IP

address within the following range: **198.18.0.1 to 198.18.0.31** (inclusive).

- Any third-party router in your network should be performing IPv4 *Network Address Translation* (NAT) from the private address to another one on an upstream interface.

Configuring a third-party router as DHCP server

In the scenario that you wish to use a third-party DHCP server to allocate the IP addresses for your vessel's IPv4 network, use the following information to help you configure the third-party DHCP server to work with Raymarine Ethernet (IPv4) client devices:

1. Configure the third-party DHCP server / router to use Raymarine's subnet details, which are as follows:
 - a. Set the DHCP server's IP address to **198.18.0.1**
 - b. Set the *netmask* to /21, i.e. **255.255.248.0**
 - c. Set the DHCP range from **198.18.4.0 to 198.18.7.254** (inclusive). If this is not possible, ensure that the address range is smaller than this (but within the range of **198.18.4.0 to 198.18.7.254** (inclusive)).
 - d. The address range **198.18.0.32 to 198.18.3.255** (inclusive) is used by Raymarine equipment, and therefore you must ensure that any other third-party equipment on the network is NOT set to a static IP address in this range.
2. It may be necessary to set the DHCP setting for **all** of the chartplotters (MFDs) on the vessel to *[Off]*. However, the default option (*[Auto]*) will likely work fine in many cases. If for any reason the third-party DHCP server starts up after the chartplotter (MFD) starts up, the user should manually set the chartplotter's (MFD's) DHCP switch to *[Off]*. This is because, when the chartplotter (MFD) starts up, its DHCP *[Auto]* feature tries to detect if another DHCP server is already present on the network.
3. In case of failure of the third-party device, the chartplotters (MFDs) can be easily configured to be the DHCP server again, by setting the chartplotter's (MFD's) DHCP setting back to *[Auto]*.

Adding third-party Wi-Fi Access Points / Wi-Fi routers to your Raymarine Ethernet (IPv4) network

- There is a large volume of multicast IPv4 traffic on the Raymarine Ethernet (IPv4) network. Many consumer Wi-Fi Access Points /

Wi-Fi routers simply bridge all multicast traffic from the Ethernet interface to the Wi-Fi interface when there are connected Wi-Fi clients. This will result not only in poor Wi-Fi performance but also in a reduction of usable Wi-Fi spectrum to other Wi-Fi users and vessels in the vicinity. If using a third-party Wi-Fi Access Point or Wi-Fi router, Raymarine recommends that *IGMP Snooping* is enabled on the third-party device, and additional checks are performed, in order to ensure that your device is not bridging any unexpected multicast traffic to its Wi-Fi interface from the Raymarine Ethernet (IPv4) network.

- Raymarine's YachtSense Link router is pre-configured with IGMP Snooping enabled, and therefore does not bridge internal multicast traffic on the wired network to the Wi-Fi network. No additional configuration is required in this respect.

Index

A

Accessories.....	106
Network adapter cables.....	110
Network cables.....	108
RayNet cables.....	108
SeaTalk NG adaptor cables.....	115
SeaTalk NG backbone cables.....	114
SeaTalk NG cables.....	112
SeaTalk NG connectors.....	114
SeaTalk NG kits.....	112
SeaTalk NG Power cables.....	114
SeaTalk NG spur cables.....	113
Accessory connection.....	76
Adaptor plates.....	107

C

Cable	
Bend radius.....	56
Protection.....	56–57
Routing.....	56
Security.....	56
Strain relief.....	56
Cable extension.....	66
Cabling	
Circuit isolation.....	56
Circuit isolation.....	56
Cleaning.....	78
Screen.....	78
Compass safe distance.....	35
Compliance	
Cybersecurity.....	11
Connecting cables.....	57
Connection	
NMEA 2000.....	71
Power.....	60
SeaTalk NG.....	71
Connections.....	57
Accessory.....	76
Bare-ended wires.....	57
Battery.....	62

Card reader.....	76
CPT-S-Series transducers.....	67
Distribution panel.....	61
DownVision transducers.....	67
Ethernet.....	72
External storage.....	76
Internet.....	73–74
Network.....	72
RealVision 3D transducers.....	66
RealVision Max 3D transducers.....	66
RNS-5.....	72
Traditional transducers.....	67
Transducer.....	66–67
USB (via RCR-SDUSB).....	76
Wi-Fi.....	74
Wire.....	57
Connectors.....	57
Cybersecurity.....	11

D

Declaration of Conformity.....	11
Dedicated grounding.....	63
Diagnostics.....	94
Dimensions.....	30–32
Axiom+ 12 flush mount.....	32
Axiom+ 12 surface mount.....	32
Axiom+ 12 trunnion mount.....	31
Axiom+ 7 flush mount.....	30
Axiom+ 7 surface mount.....	30
Axiom+ 7 trunnion mount.....	30
Axiom+ 9 flush mount.....	32
Axiom+ 9 surface mount.....	32
Axiom+ 9 trunnion mount.....	31

E

e-Label.....	10
Electromagnetic Compatibility.....	34
EMC, <i>See</i> Electromagnetic Compatibility	
eS Series.....	117
Ethernet.....	118

Ethernet connection.....	72
External storage.....	76

F

Factory reset.....	85
Flush mounting.....	51
Installation methods.....	51
Mounting surface preparation.....	50
Rear mounting kit.....	53
Trunnion adapter.....	52
Fuse rating.....	60
Fuse requirement.....	28

G

gS Series.....	117
----------------	-----

I

Inline fuse.....	28
Installation.....	45, 51
Best practice.....	62
Flush mounting.....	
Installation methods.....	51
Mounting surface preparation.....	50
Rear mounting kit.....	53
Tools required.....	50
Trunnion adapter.....	52
Mounting options.....	40
Surface mounting.....	
Installation methods.....	46
Mounting surface preparation.....	45
Rear mounting kit.....	47
Tools required.....	45
Trunnion adapter.....	47
Trunnion mounting.....	43
Parts required.....	42
Tools required.....	42
Interference.....	35
<i>See also</i> Compass safe distance	
RF.....	35

Internet connection.....	73–74
IP address.....	94
IP networking.....	118

L

Legacy adaptor.....	16
LightHouse.....	
Downgrade.....	117
minimum version.....	18
LightHouse 3.....	16
LightHouse 4.....	16
Location requirements.....	
Display viewing angle.....	37
General.....	34
GNSS.....	35
GPS.....	35
Touchscreen.....	36
Wireless.....	37
Wireless interference.....	37

M

Maintenance.....	10, 78
Mounting.....	
Flush mounting.....	
Installation methods.....	51
Mounting surface preparation.....	50
Rear mounting kit.....	53
Tools required.....	50
Trunnion adapter.....	52
Mounting options.....	40
Surface mounting.....	
Installation methods.....	46
Mounting surface preparation.....	45
Rear mounting kit.....	47
Tools required.....	45
Trunnion adapter.....	47
Trunnion mounting.....	43
Parts required.....	42
Tools required.....	42
Mounting options.....	40

N

Network	
cables	110
Network connection	72
Networking (IP)	
Overview	118
NMEA 2000	117
PGN list	117

O

Operation	16, 81
-----------------	--------

P

Parts supplied	
Axiom+ 12	27
Axiom+ 12 (DISP)	28
Axiom+ 7	26
Axiom+ 7 (DISP)	26
Axiom+ 9	27
Axiom+ 9 (DISP)	28
Power	
Battery connection	62
Cable extension	62
Connection to battery	62
Connection to distribution panel	61
Distribution	60
Distribution panel	61
Fuses	28
Grounding	62
Sharing a breaker	61
Power cable extension	62
Power connection	60
Power troubleshooting	84
Product information	94
Product recycling (WEEE)	13
Product support	93

R

Radio Frequency (RF) interference	35
---	----

RayNet	118
cables	108, 110
RayNet connection	72
RCR-SDUSB	16
Recovery mode	85
Regulatory standards	10
Removing trunnion adaptor	46, 52
RJ45	
cables	110
Routine checks	78

S

SeaTalk NG	
Adaptor cables	115
Backbone cables	114
Connectors	114
Kits	112
Power cables	114
Spur cables	113
SeaTalk NG cables	112
SeaTalkhs	
cables	110
Service Center	93
Servicing	10, 78
Software updates	37
Spares	106
Specification	
Dimensions	30–32
Support forum	95
Suppression ferrites	76
Surface mounting	45
Installation methods	46
Mounting surface preparation	45
Rear mounting kit	47
Trunnion adapter	47
System examples	18–19

T

Technical specification	
GNSS receiver	98, 101, 104

Product markings.....	10
Technical Specification	
RealVision 3D sonar.....	98, 101, 104
Technical support.....	93, 95
Thermal breaker rating.....	60
Tools required	
Bracket mounting	42
Flush mounting	50
Surface mounting	45
Trunnion mounting.....	42
Training courses.....	95
Transducer	
Adaptor cables.....	67, 107
Troubleshooting	83–84, 86, 89, 91
GNSS.....	85
GNSS (GPS).....	85
GPS.....	85
Miscellaneous.....	84
Power	84
Sonar.....	86
Touchscreen	91
Wi-Fi.....	89
Trunnion mounting.....	43
Typical system	18–19

V

Ventilation	34
-------------------	----

W

Warranty.....	13, 93
WEEE Directive	13
Wi-Fi	
Settings.....	74

Y

YachtSense Link	
IP address conflict.....	73
Network connection.....	73