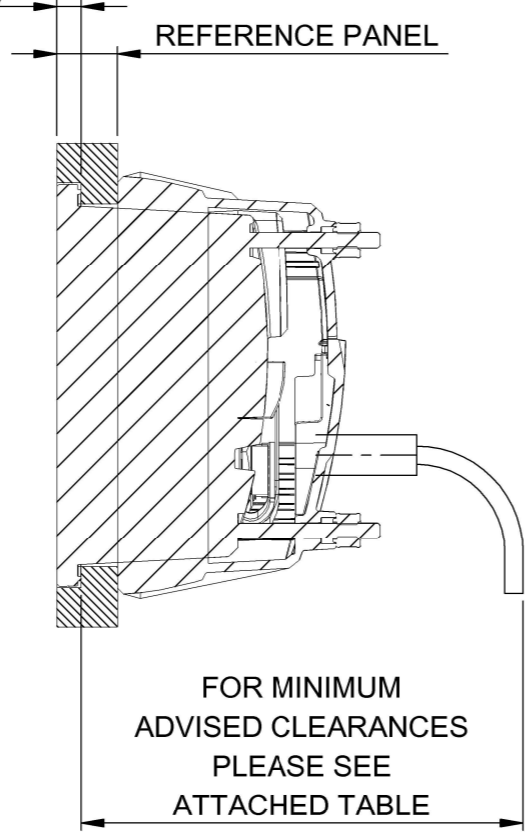
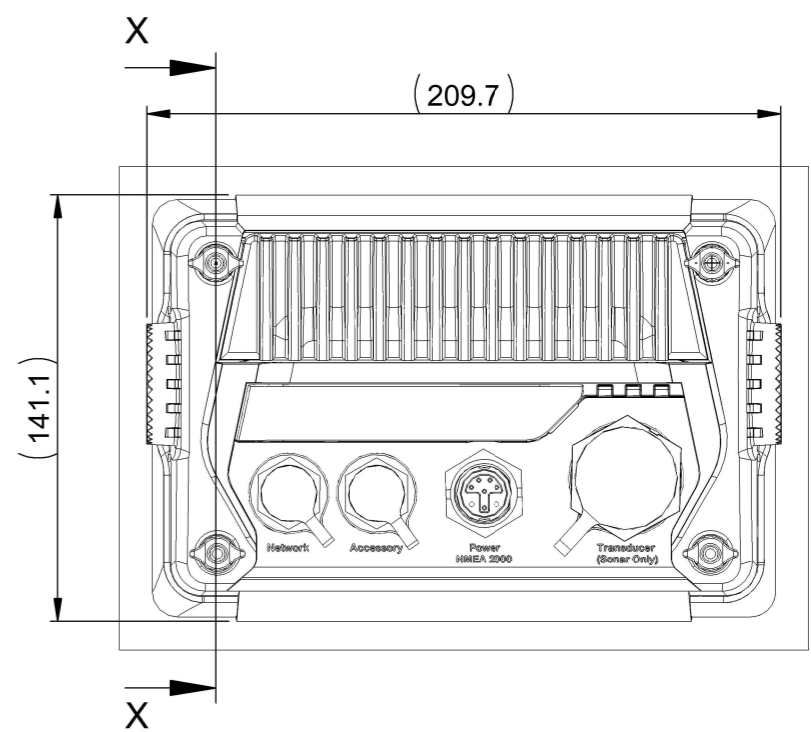
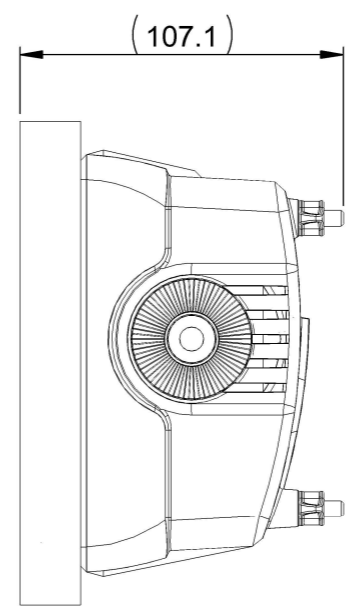


8.00 (REBATE FOR FLUSH MOUNT)
REFERENCE PANEL

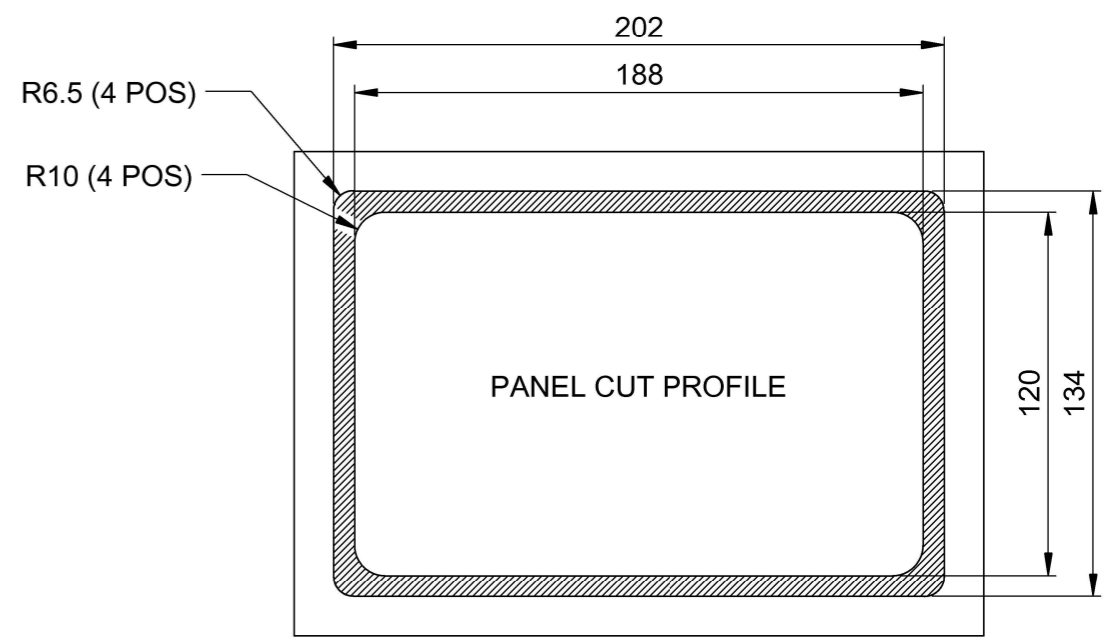


FOR MINIMUM ADVISED CLEARANCES PLEASE SEE ATTACHED TABLE

SECTION X-X



MINIMUM ADVISED CLEARANCE DIMENSION	
CABLE TYPE	LENGTH (MM)
TRANSDUCER	200
90° TRANSDUCER	100
POWER	150
90° POWER	110
ACCESSORY	140
NETWORK	140

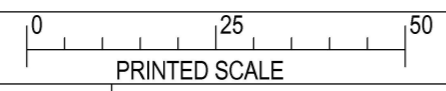


- NOTES:**
- 1) FOR INFORMATION ON INSTALLATION, CONNECTIONS AND PRODUCT SPECIFICATIONS, PLEASE REFER TO HANDBOOK, PRODUCT SUPPORT AND WORKSHOP MANUALS.
 - 2) FOR ANY DIMENSIONAL INFORMATION NOT INCLUDED PLEASE CONTACT YOUR SALES REPRESENTATIVE.
 - 3) DIMENSIONS SHOWN ARE ACTUAL PRODUCT SIZE AND DO NOT INCLUDE ANY CLEARANCE DATA.

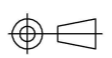


THE INFORMATION CONTAINED HEREIN SHALL NOT BE REPRODUCED WITHOUT THE PRIOR WRITTEN PERMISSION OF RAYMARINE LTD

© 2011 RAYMARINE LTD



DRAWN TO BS308



DO NOT SCALE - IF IN DOUBT ASK

DRN:	MSA	DATE: 04/02/2020
DIMENSIONS IN MM		SCALE: 1:3

TITLE AXIOM 7in MFD FLUSH MOUNT

DRAWING No. D_AXIOM7_FM