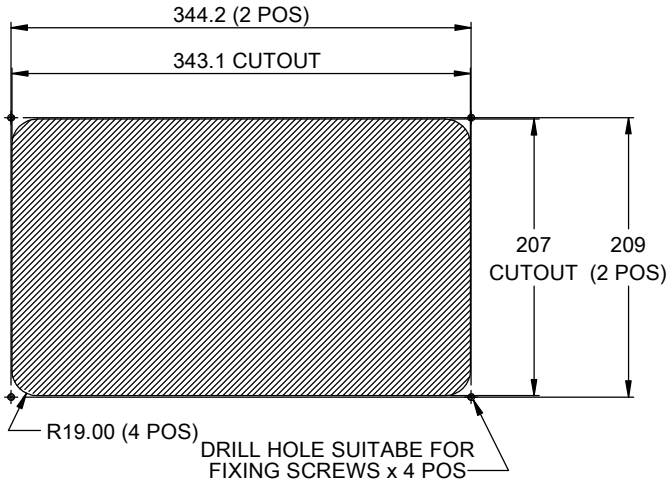
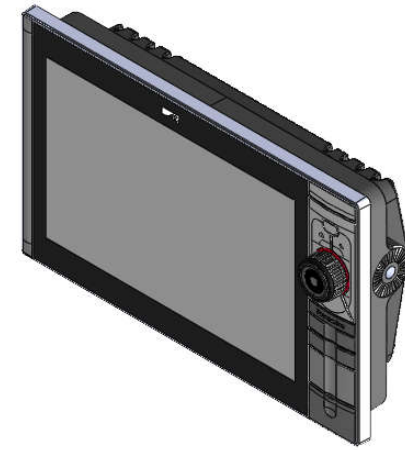


PANEL CUT PROFILE



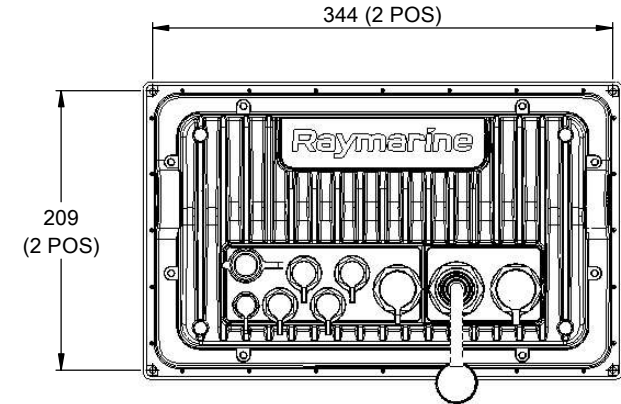
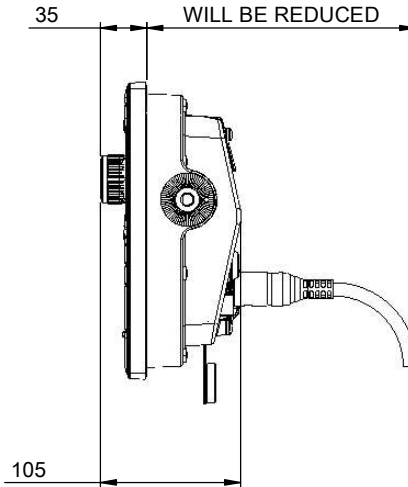
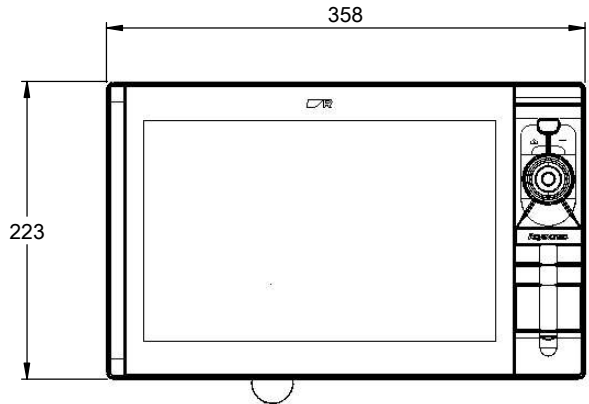
DRILL HOLE SUITABLE FOR FIXING SCREWS x 4 POS

NOTES:
1) FOR INFORMATION ON INSTALLATION, CONNECTIONS AND PRODUCT SPECIFICATIONS, PLEASE REFER TO HANDBOOK, PRODUCT SUPPORT AND WORKSHOP MANUALS.
2) FOR ANY DIMENSIONAL INFORMATION NOT INCLUDED PLEASE CONTACT YOUR SALES REPRESENTATIVE.
3) DIMENSIONS SHOWN ARE ACTUAL PRODUCT SIZE AND DO NOT INCLUDE ANY CLEARANCE DATA.



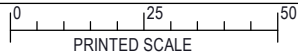
201.3
MINIMUM
CLEARANCE

FOR 90° CABLE
THE MINIMUM
CLEARANCE
WILL BE REDUCED



THE INFORMATION CONTAINED HEREIN SHALL NOT BE REPRODUCED WITHOUT THE PRIOR WRITTEN PERMISSION OF RAYMARINE LTD

© 2011 RAYMARINE LTD



DRAWN TO BS308



DO NOT SCALE - IF IN DOUBT ASK

DR/N: MSA
DIMENSIONS IN MM

DATE: 26/04/22
SCALE: 1:3

TITLE
D_ENDEAVOUR12-SM
DRAWING No.
D_ENDEAVOUR12_RM_SM_TM.SLDPRT