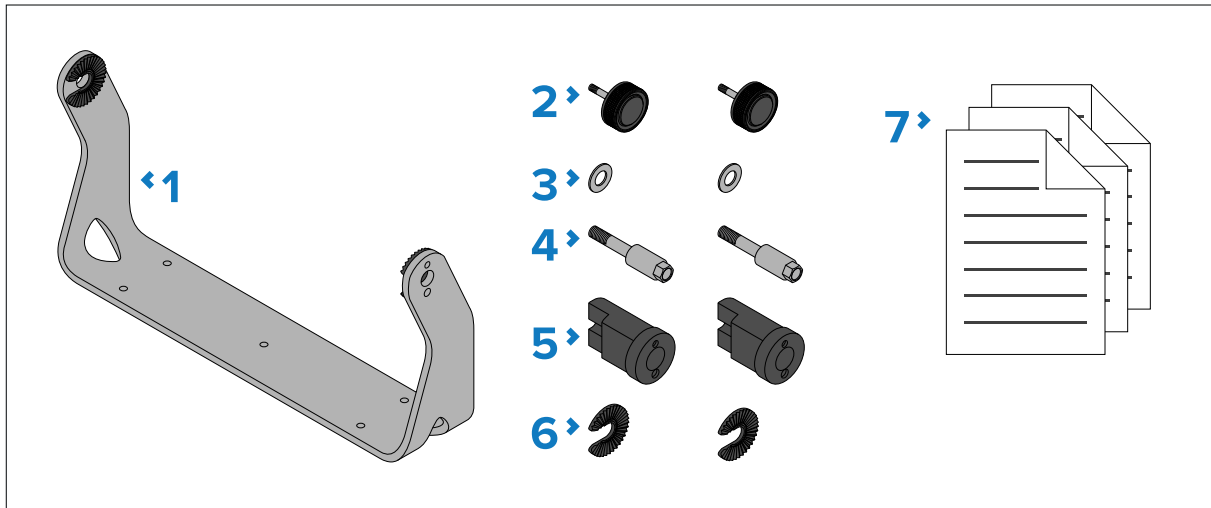


Axiom 2 Pro 16 trunnion kit installation

Parts supplied

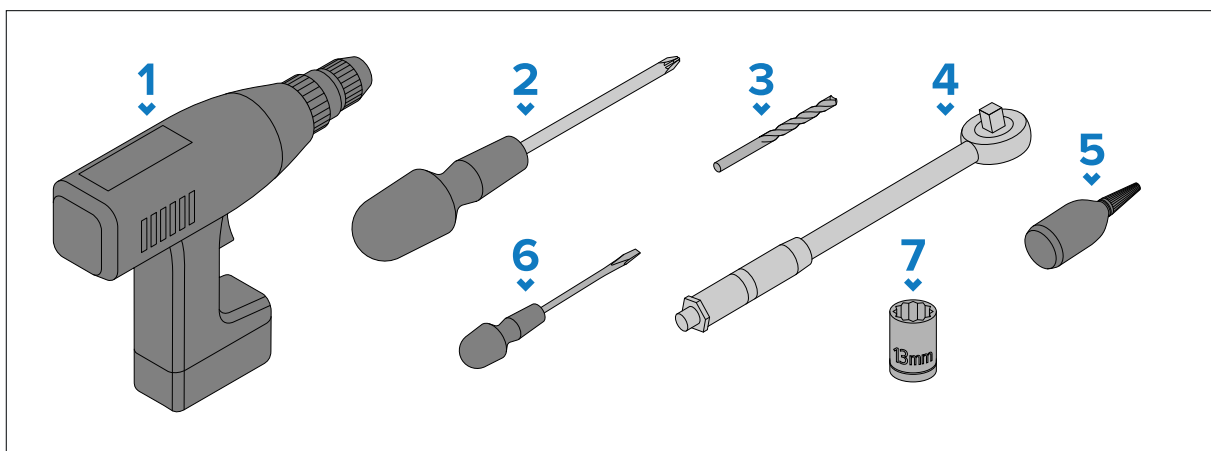
The following parts are supplied with the Axiom[®] 2 Pro 16 trunnion bracket kit (part number: A80722):



1. Trunnion bracket.
2. Trunnion knobs x 2.
3. M8 washers x 2.
4. Spacers x 2.
5. M8 standoff bolts x 2.
6. Trunnion ratchets x 2.
7. Documentation pack.

Tools required (trunnion mount installations)

The following tools are recommended for mounting using a trunnion bracket:



1. Power drill.
2. Screwdriver (appropriate for your fixings).
3. Drill bit (suitable for the material of the mounting surface and the 5.75 mm (0.23 in) diameter mounting holes in the trunnion bracket).

4. Torque wrench.
5. Loctite® 243, or equivalent threadlocker.
6. Small flat blade screwdriver (or plastic pry tool).
7. 13 mm (1/2") socket.

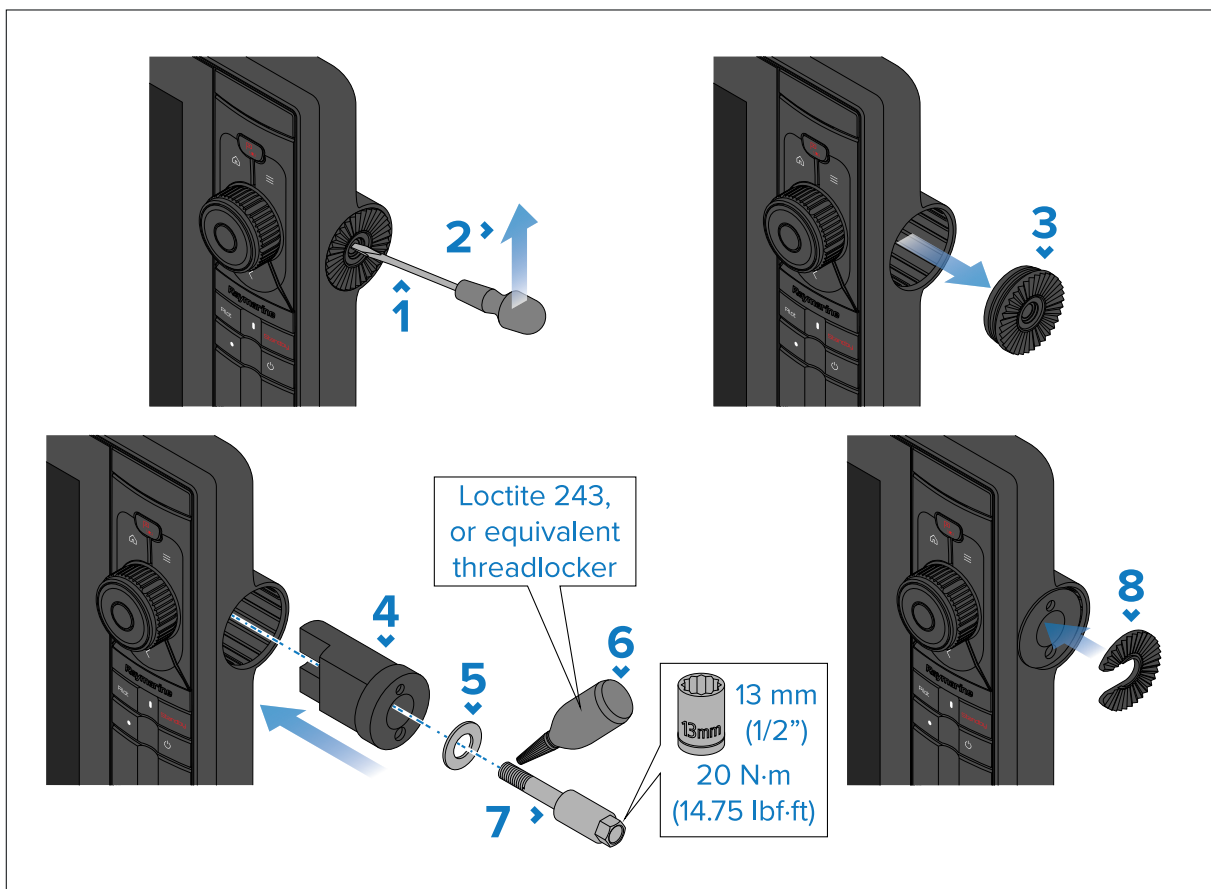
Display trunnion mounting preparation

Axiom® 2 Pro 16 displays are intended to be either surface or flush mounted. An optional Trunnion bracket kit (part number: A80722) is available if trunnion mounting is desired. For trunnion mounting, the display needs to be prepared using the parts supplied in the A80722 kit.

Important:

The display is supplied with rubber trunnion bungs fitted, which must be removed before the display is trunnion mounted. Do NOT attempt to trunnion mount the display using the trunnion bungs.

To prepare the display for trunnion mounting, follow the steps below, **for both sides of the display**:



1. Insert a small flat blade screwdriver or plastic pry tool into the center hole of the Trunnion bung.
2. Lever the tool up or down to release the Trunnion bung.
3. Remove the Trunnion bung.
4. Insert the Spacer piece into the display with the flat edge facing forward.

Important:

Do NOT fit the ratchet plate to the spacer before tightening the standoff bolt.

5. Slide the M8 washer over the M8 standoff bolt.
6. Apply Loctite® 243 (or equivalent threadlocker) to the thread of the M8 standoff bolt.
7. Insert the M8 standoff bolt and tighten to 20 N-m (14.75 lbf-ft).

Note:

Overtightening may cause damage.

8. Remove the backing from the self adhesive tape on the rear of the Ratchet plate, and fix to the Spacer secured in the display.

The groove on the ratchet plate should face forwards and the protrusions on the back of the ratchet plate should slot into the recesses in the end of the spacer.

The display can now be trunnion mounted.

Trunnion bracket mounting

Once the display has been prepared using the instructions and parts supplied, it can be mounted using the trunnion bracket as follows:

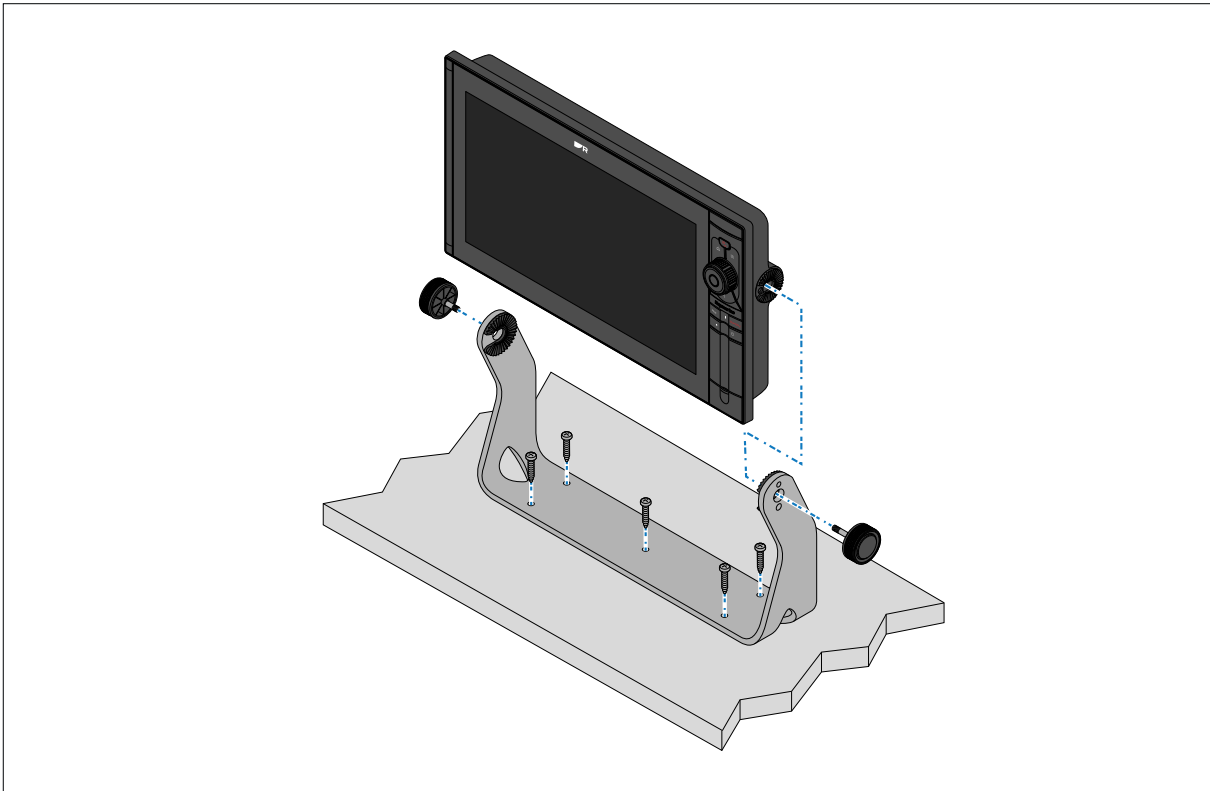
Note:

Fixings to secure the trunnion bracket to a mounting surface are not provided. 5 x self-tapping screws are required. The screws should be suitable for the mounting surface material and the 5.75 mm (0.23 in) diameter mounting holes in the trunnion bracket.

Ensure you have chosen a suitable mounting location for your display, which has sufficient headroom to allow the display's angle to be adjusted, or the display to be removed if necessary. If installing the display 'above head height', take extra care to ensure the knobs are tightened sufficiently to prevent them coming loose due to vibration when underway.

Important:

2 person installation is required.



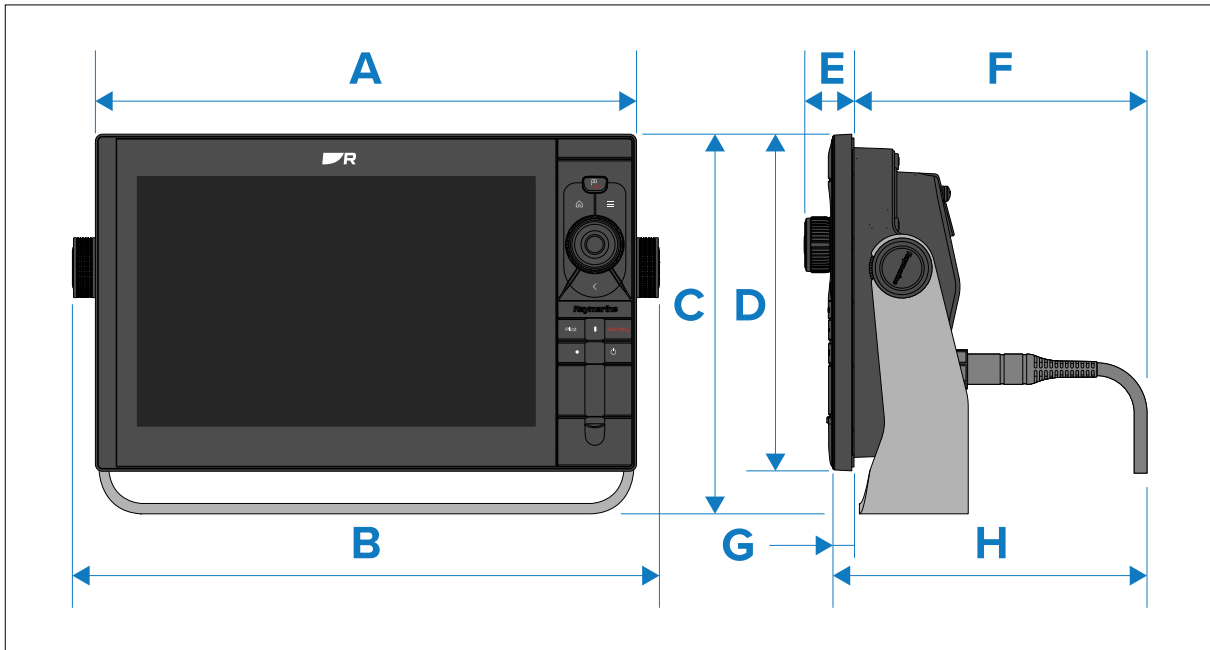
1. Check the underside of the mounting surface to ensure no damage will be caused by drilling.
2. Check the thickness of the mounting surface to ensure it is sufficient to support the display.
3. Using the Trunnion bracket as a template, mark and drill the 5 x pilot holes on the mounting surface.
4. Secure the Trunnion bracket to the mounting surface using your self-tapping screws and an appropriate screwdriver.
5. One person should align the trunnion holes in the side of the display with the holes in the trunnion bracket.

- The second person should secure the display to the trunnion bracket by inserting and tightening the trunnion knobs, ensuring that the ratchet teeth are correctly engaged.

The knobs should be tightened by hand, sufficiently to prevent the display from moving whilst your vessel is underway.

- Route and connect necessary cables.

Trunnion mount dimensions



Item	Dimension
A	452.10 mm (17.80 in)
B	482.50 mm (19.00 in)
C	281.20 mm (11.10 in)
D	258.00 mm (10.16 in)
E	32.90 mm (1.30 in)
F	208.50 mm (8.21 in) 188.50 mm (7.42 in) when using right angled transducer adaptor cable.
G	14.25 mm (0.56 in)
H	241.40 mm (9.50 in) 221.40 mm (8.72 in) when using right angled transducer adaptor cable.