

**SIMRAD**

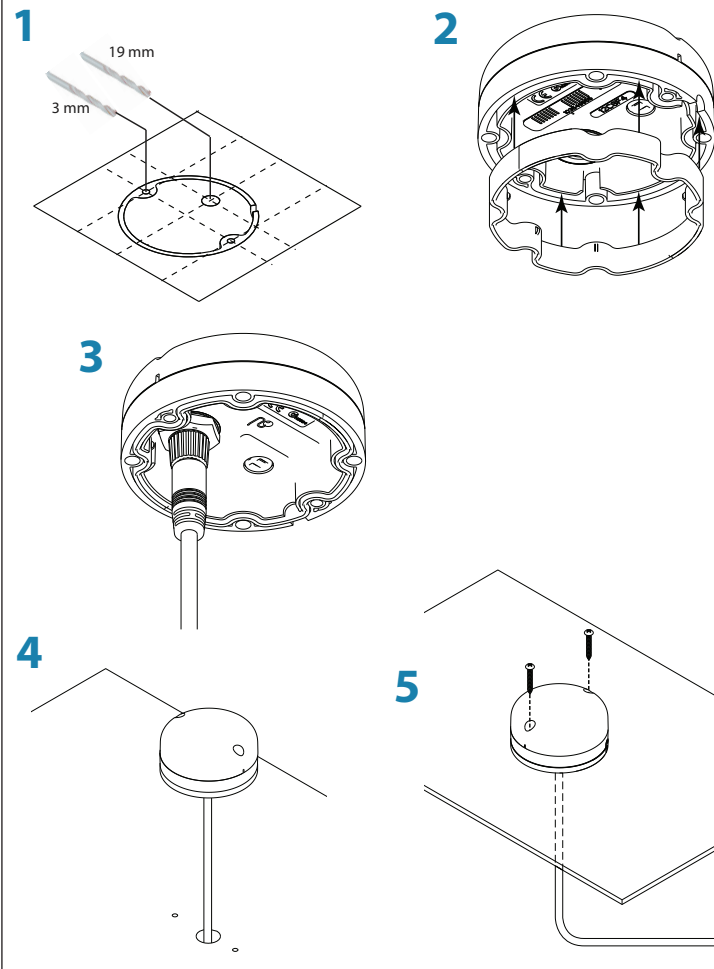
**GS70**

Installation Guide

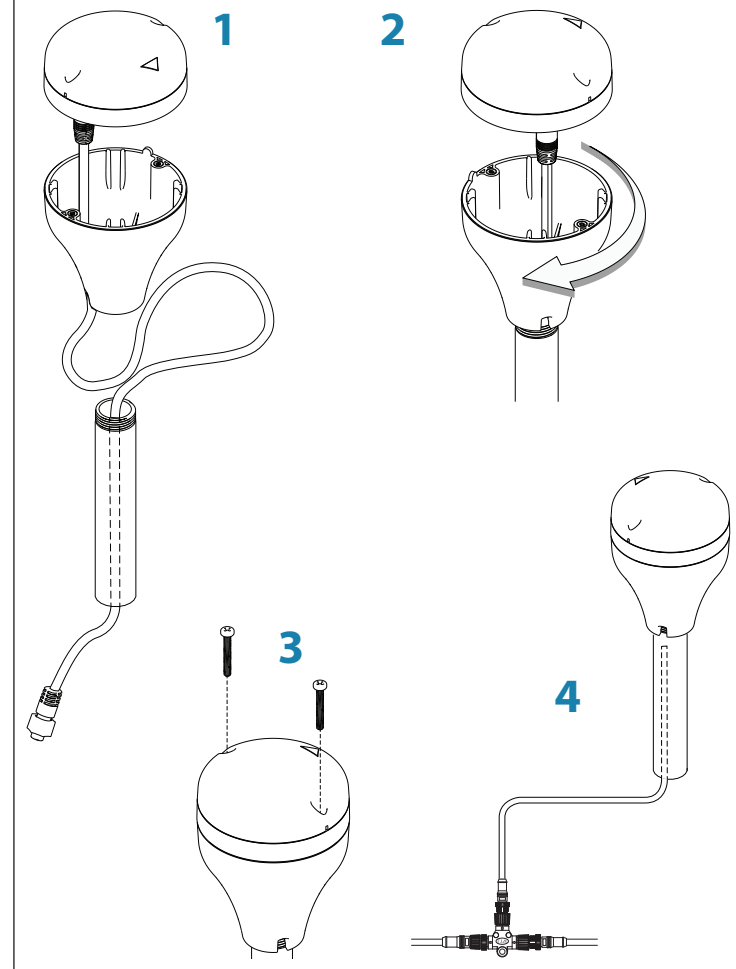


[navico.com/commercial](http://navico.com/commercial)

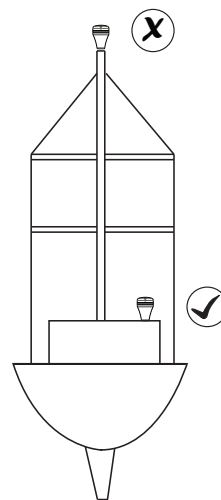
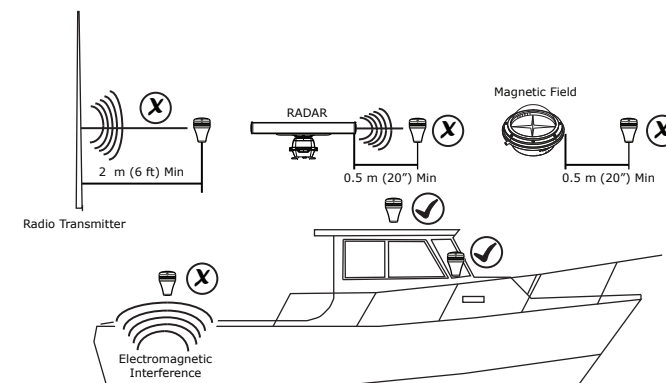
### Surface mount the antenna



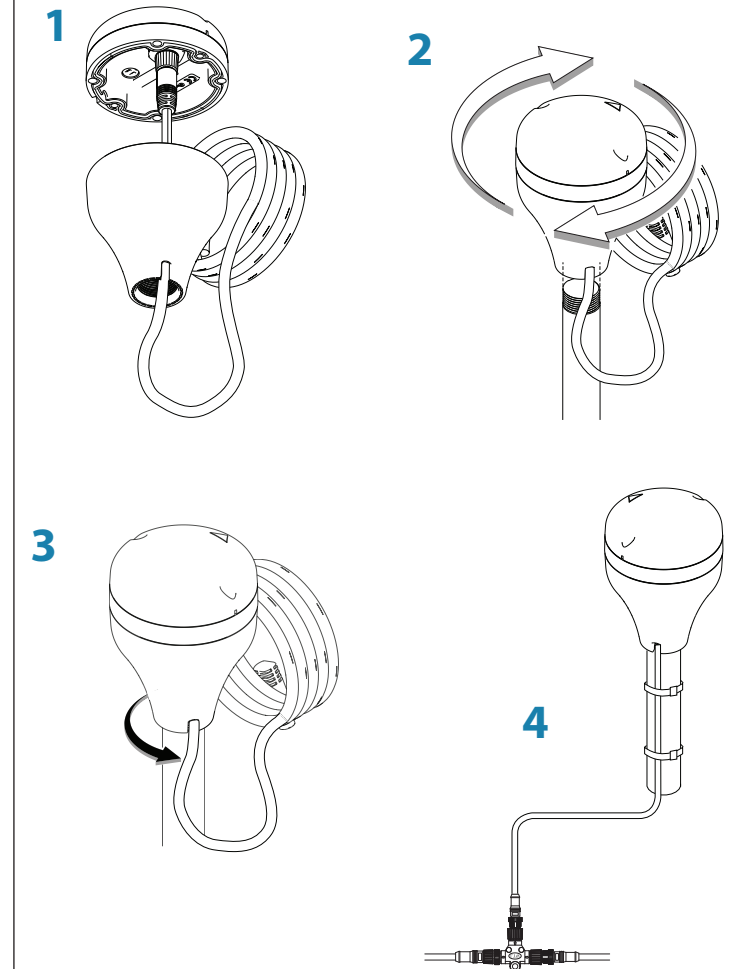
### Pole mount (Internal cable)



### Antenna mounting location



### Pole mount (external cable)



For regulatory compliance certificates and declarations, refer to the product website on:



[www.navico.com/commercial](http://www.navico.com/commercial)



## Specifications

### General

Receiver Type	L1, C/A code, 1.575 GHz Frequency/ L2 C/A code, 1.602 GHz Frequency
Channels	32 channels
Position Update Rate	Up to 10 Hz (1, 5, 10)
Horizontal Accuracy	3 m (9.8 ft)
Cold Start	50 sec
Start-Up Time	3 sec
Satellite Reacquisition	5 sec

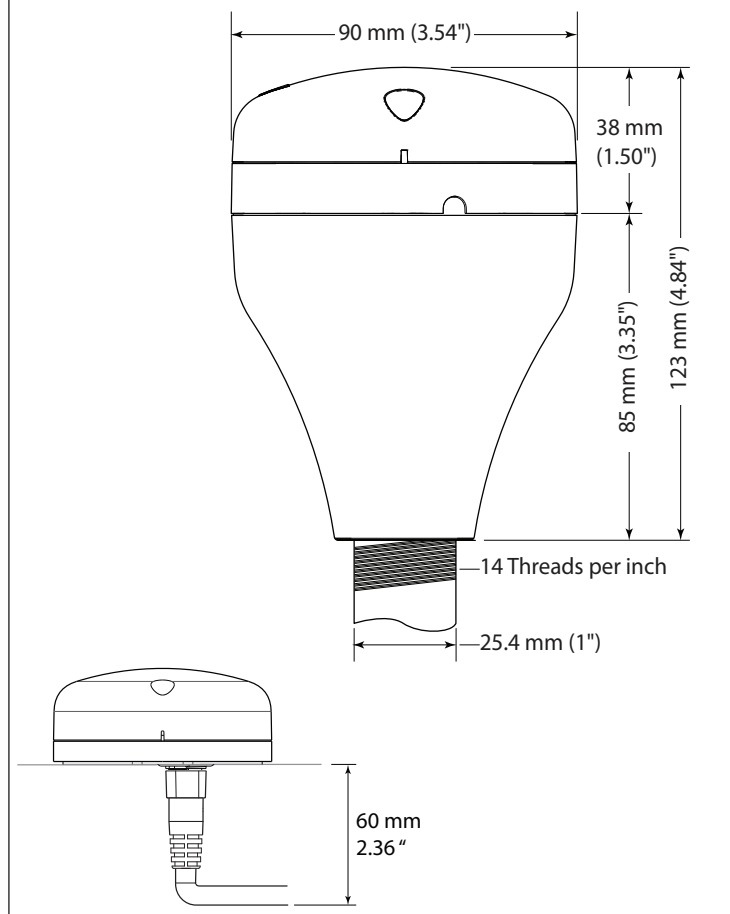
### Environmental

Operating Temperature	-25° C to +60° C
Storage Temperature	-40° C to +85° C
Splash Proof	IPX7
Humidity	40° C, 93%RH, operating

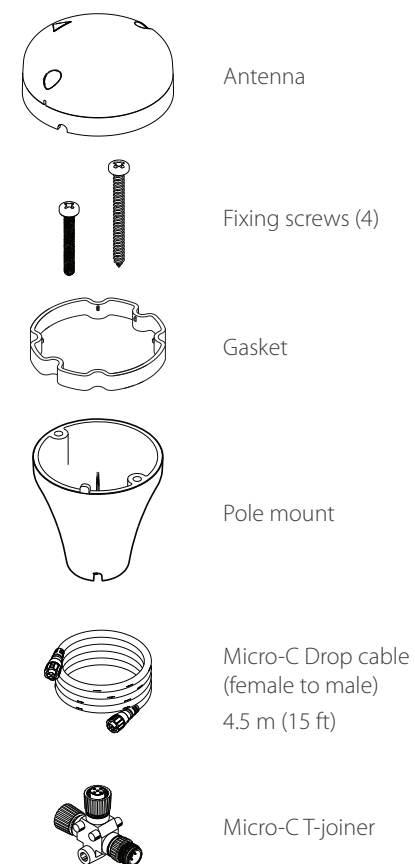
### Electrical

Input Voltage	9 V DC - 18 V DC
Reverse Polarity Protection	Yes
Power Consumption	< than 2w
Current Consumption	< 100 mA @ 12 V DC
Dimensions	90 mm (diam) x 38mm (height) 3.54" (diam) x 1.50" (height)
Weight	0.14 Kg (0.3 lbs) aprox
Power/Data Cable	NMEA 2000 thru NMEA 2000 network
Antenna Connector	NMEA 2000 Micro C
Mounting	Flush mount / Standard Pole Mount

## Dimensions



## Supplied parts



## Communications

Data I/O Protocol	NMEA 2000
-------------------	-----------

### NMEA 2000 PGNs

PGN Number	PGN Title
126992	System Time
127257	Attitude
129025	Position, Rapid Update
129026	COG & SOG RU
129029	Position Data
129539	GNS DOP
129540	GNS Satellites in view
129542	GNSS Pseudorange noise statistics
129545	GNSS RAIM Output
129546	GNSS RAIM Settings
129547	GNSS Pseudorange error statistics
129549	External RTCM correction data
130852	RTCM feedback to display

## Compliance Statements

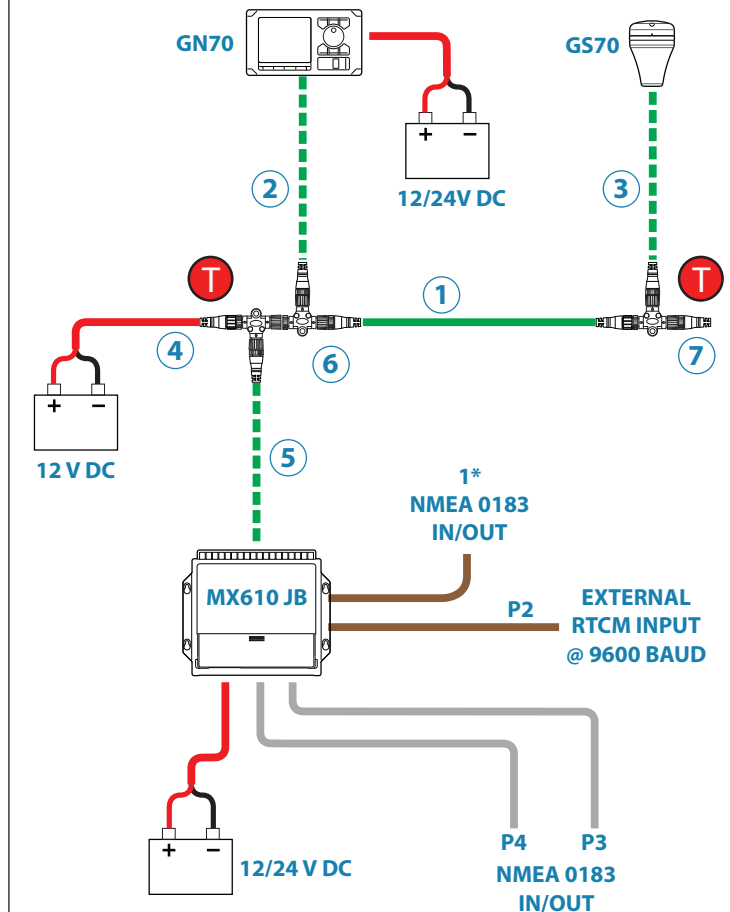
The GS70:

- Meets the technical standards in accordance with Part 15.103 of the FCC Rules
- Comply with CE under R&TTE directive 1999/5/EC
- Comply with the requirements of level 2 devices of the Radio-communications (Electromagnetic Compatibility) standard 2008.

→ **Note:** Pending approval for IMO compliance and NMEA 2000.

CE0191

## Wiring



1	Micro-C CAN bus backbone
2	Micro-C Drop cable (female to male)
3	Micro-C Drop cable (female to male)
4*	Micro-C Power cable with 120 Ohm terminator, female
5	SimNet to Micro-C Drop cable, male
6	Micro-C T-Joiners
7	Micro-C Terminator, 120 Ohm, male

\*) Only to be used when no junction box is connected to the network.