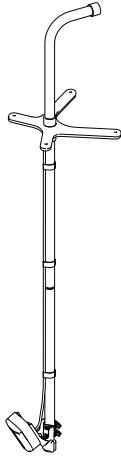


LOWRANCE®

SIMRAD

LiveSight Ice transducer Installation Guide



Compliance statements

Europe

Navico declares under our sole responsibility that the product conforms with the requirements of:

- CE under EMC Directive 2014/30/EU

United States of America

→ **Note:** The user is cautioned that any changes or modifications not expressly approved by the party responsible for compliance could void the user's authority to operate the equipment

Australia and New Zealand

Navico declares under our sole responsibility that the product conforms with the requirements of:

- level 2 devices of the Radiocommunications (Electromagnetic Compatibility) standard 2017

Declarations

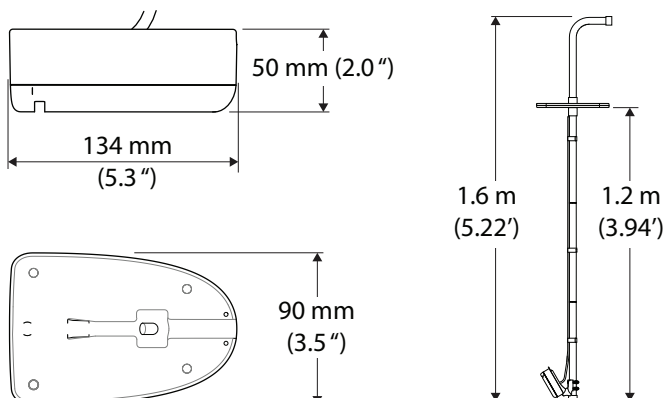
The relevant Declaration of Conformity is available on the following websites:

- www.lowrance.com
- www.simrad-yachting.com

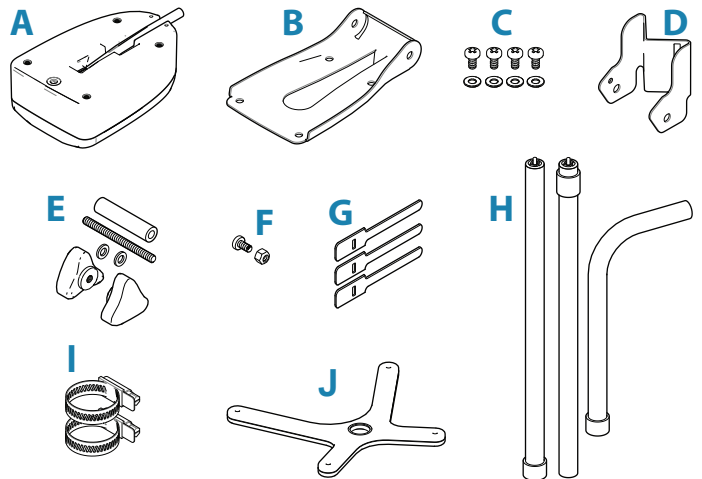
Technical specifications

Environmental	
Water temperature	0°C to +35°C (+32°F to +95°F)
Storage temperature	-30°C to +70°C (-22°F to +158°F)
Physical	
Weight (without cable)	0,614 kg (1.354 lbs.)
Cable length	7,6 m (25 ft)

Dimensions

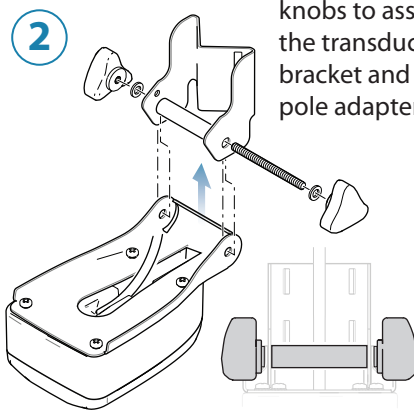
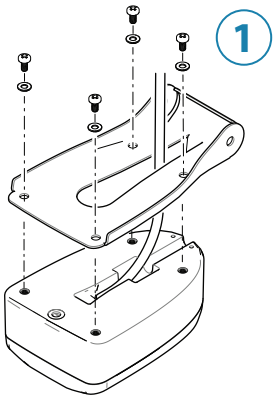


Parts included

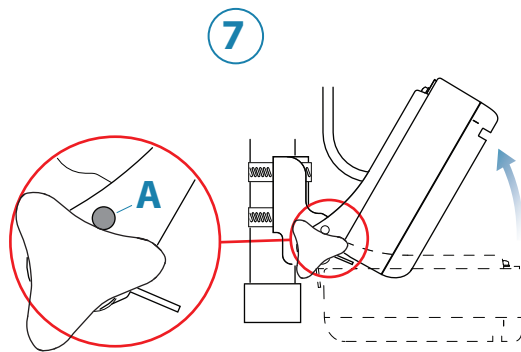
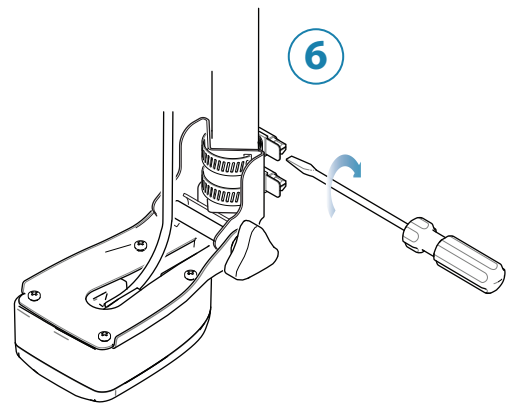
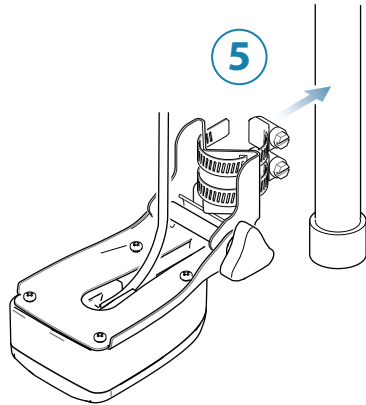
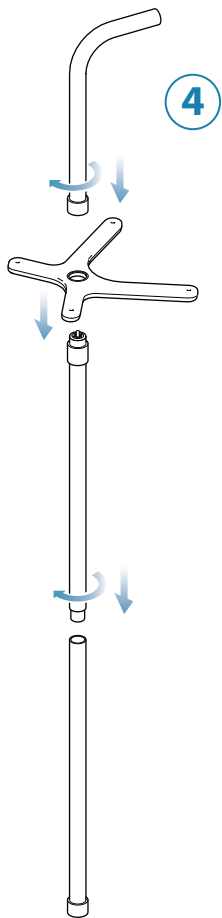
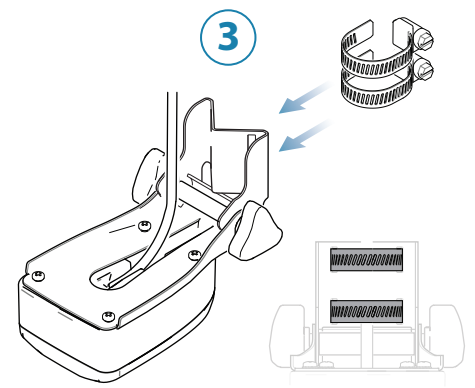


- A.** LiveSight transducer, incl. 7,6 m (25 ft) cable
- B.** Transducer bracket
- C.** Screws M4x8 Ph SS18-8 and washers (x4)
- D.** Pole adapter
- E.** Tube, threaded rod, washers (x2) and knobs (x2)
- F.** Screw M4x8 Ph SS18-8 and M4 316SS nylock nut
- G.** Cable ties (for transducer cable) (x3)
- H.** Ice pole (upper, middle and lower)
- I.** Clamp hose 20 SS (for ice pole adapter) (x2)
- J.** Base plate, ice pole mount

Assemble parts



Loosely fix the knobs to assemble the transducer bracket and the pole adapter.



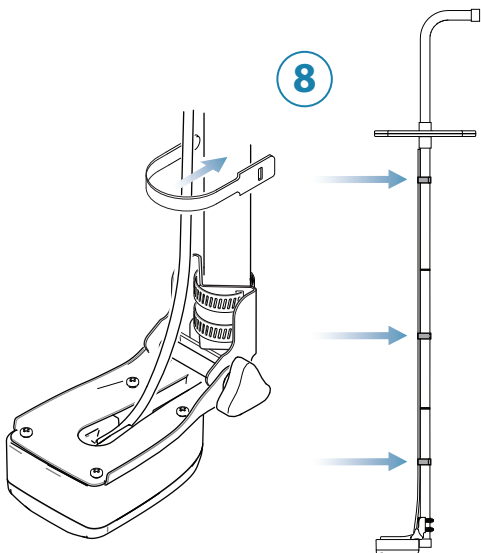
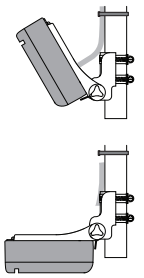
Tilt the transducer

For Forward looking mode:

- until the holes (A) on the bracket and on the pole adapter align

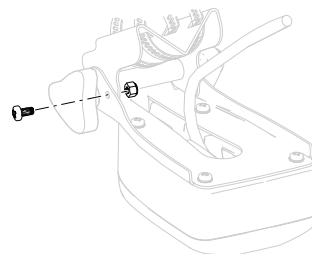
For Down looking mode:

- until the transducer is parallel to the waterline



9 Only used for fixed angle assembly in Forward looking mode.

Install the screw and nylock nut to fix the transducer angle.



10 Hand-tighten the two knobs to secure the assembly.

