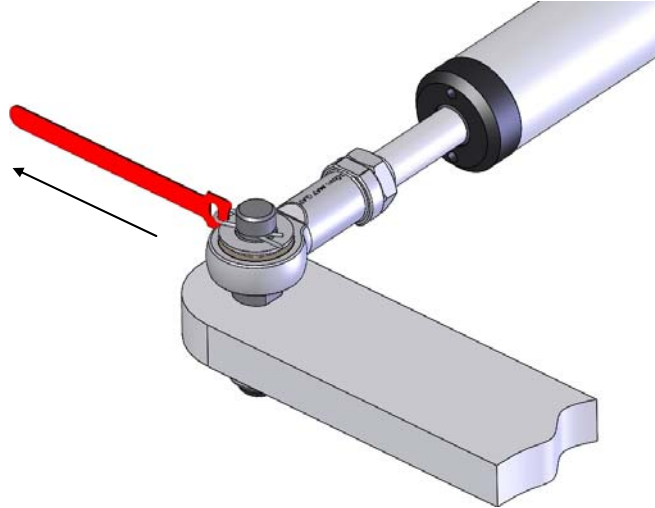


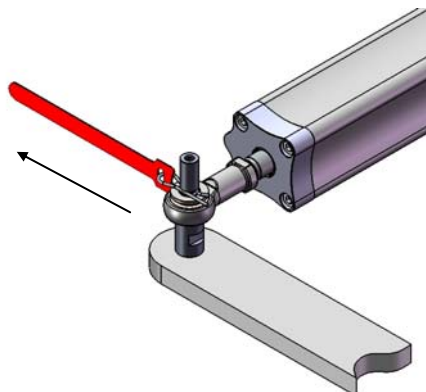
E12207 & E12208 TYPE 2 Quick Release Tab.



In the unlikely event of failure pull the **red** tab to release the R-clip then manually lift the drive unit clear of the tiller pin and steering gear. Note the washer beneath the R-clip.

Doc no: 82380-1

M81202 & M81203 TYPE 3 Quick Release Tab.



In the unlikely event of failure, pull the **red** tab to release the R-clip then manually lift the drive unit clear of the tiller pin and steering gear. Note the washer beneath the R-clip.

Doc no: 82380-1