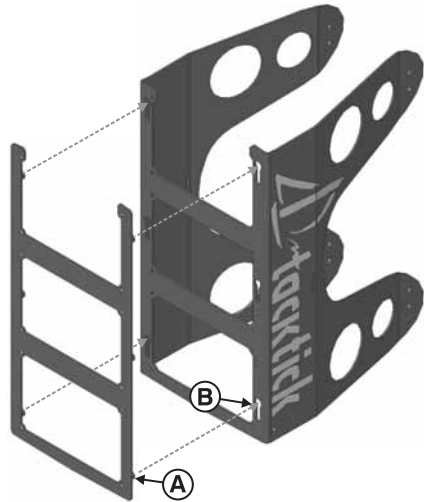


Raymarine®

A FLIR COMPANY

www.raymarine.com



(A) Stud

(B) Keyhole Slot



UU077-GB-r ev 05

T232, T234 Mast Bracket

Note: The bracket must be fitted with the open slot upwards.

Brackets are available for 2 or 3 displays.

- 1 Choose a position on the mast that gives the required visibility and allows sufficient clearance for the reefing lines as the boom swings through its full movement. If in doubt, consult your rigger, who may advise the fitting of reefing-line restraining hoops.
- 2 Fix the bracket to the mast using 4.8mm (3/16 in) monel rivets (not supplied). Display fixing bolts are supplied with the display.

For Maxi Displays:

- 3 Maxi displays may be attached to the detachable face plate, or direct to the bracket. Post four countersunk bolts through the bracket from the rear and screw into the back of the display. The captive nuts within the display will ensure a secure fixing.

Note: using bolts other than those supplied, or bolting from the front of the display can damage the display, this can invalidate your warranty.

- 4 To attach the face plate: align the studs (A) on the rear of the faceplate with the keyhole slots (B) on the bracket, insert the studs into the keyhole slots and press the faceplate firmly downwards to secure. Ensure that the spring latch on the rear of the bracket is secure.
- 5 To remove the face plate: press and hold open the latch and slide the faceplate upwards to disengage the studs from the keyhole slots, pull away from the bracket to remove.

For Race Master Displays:

- 3 Attach Race Master cradles directly to the bracket. Pass four countersunk bolts through the cradle and through the front of the bracket, fasten at the rear with nuts and plastic washers.

For further details contact www.raymarine.com.