

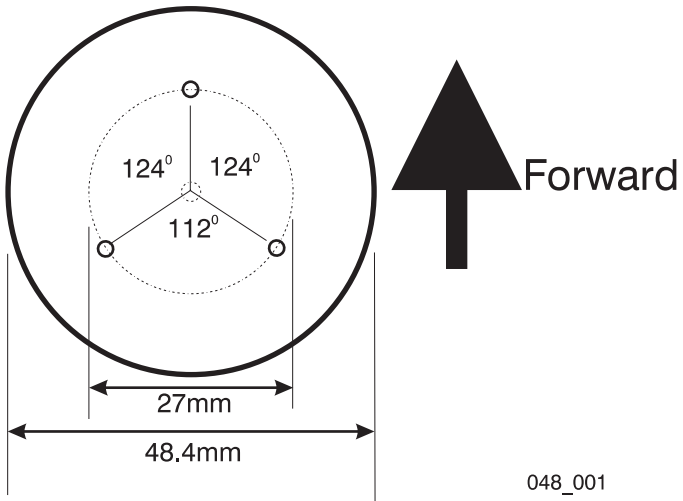
Mounting Templates

Raymarine®

A FLIR COMPANY

www.raymarine.com

Wind Transmitter

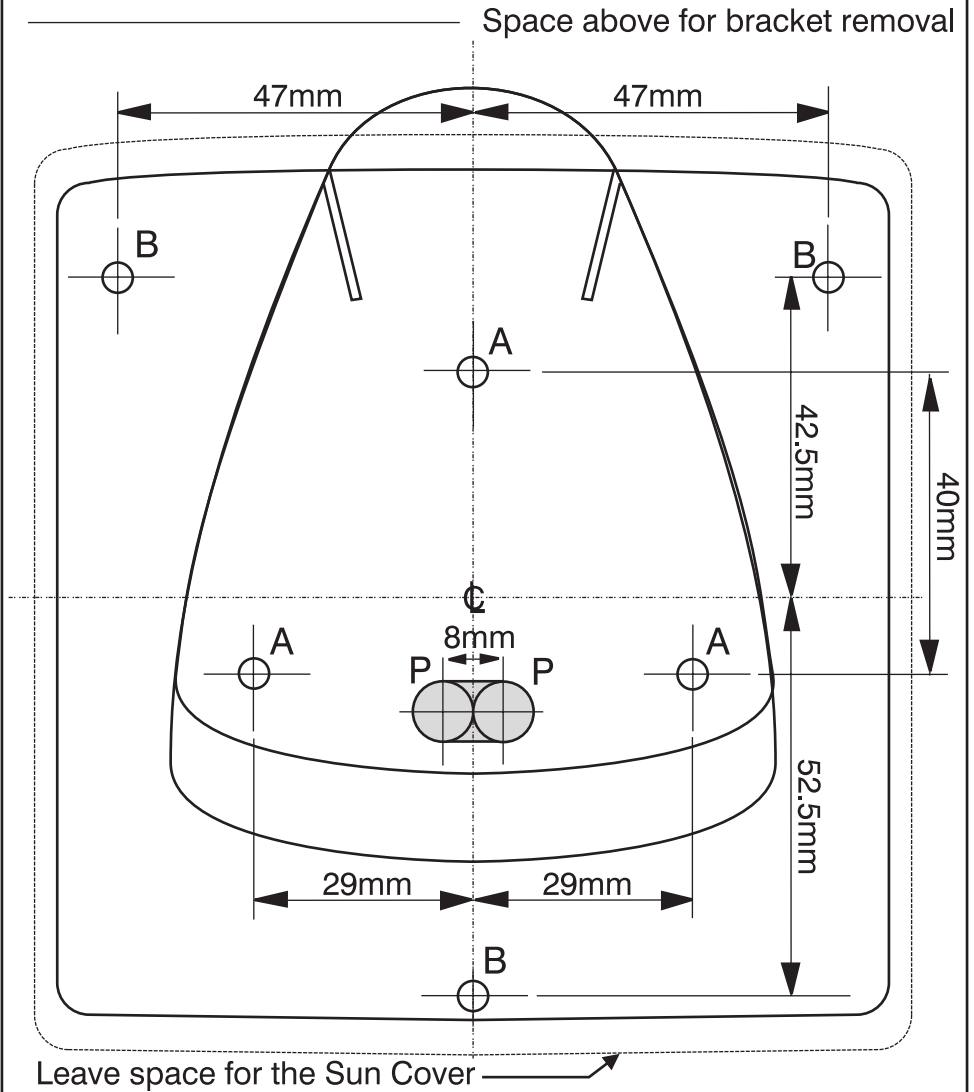


Mounting: Drill 3 x Holes (size depends on the material being drilled)



UU048- r ev09

Display, Hull Transmitter & Wireless Interface



048_002

- | | |
|------------------------|-------------------------|
| Bracket Mounting: | Drill 3 x 2mm Holes (A) |
| Front Mounting: | Drill 3 x 2mm Holes (B) |
| Rear Mounting: | Drill 3 x 5mm Holes (B) |
| For Power Connections: | Drill 2 x 7mm Holes (P) |