

## CABLE SEAL - PLASTIC

Part No. DS6-P / DS16-P / DS21A -P/ DS21B-P / DS30-P / DS40-P



The only guaranteed and proven watertight installation for all your cable requirements! The high impact plastic range provides waterproof cable routing with options for 16mm to 40mm connectors, making them ideal for almost every installation.

| Model   | Fits Cables           | Connectors up to |
|---------|-----------------------|------------------|
| DS6-P   | 2-6mm (0.08"-0.24")   | -                |
| DS16-P  | 2-8mm (0.08"-0.35")   | Ø16mm (0.63").   |
| DS21A-P | 4-9mm (0.165"-0.35")  | Ø21mm (0.83").   |
| DS21B-P | 9-14mm (0.35"-0.55")  | Ø21mm (0.83").   |
| DS30-P  | 9-14mm (0.35"-0.55")  | Ø30mm (1.18").   |
| DS40-P  | 12-15mm (0.47"-0.59") | Ø40mm (1.57").   |

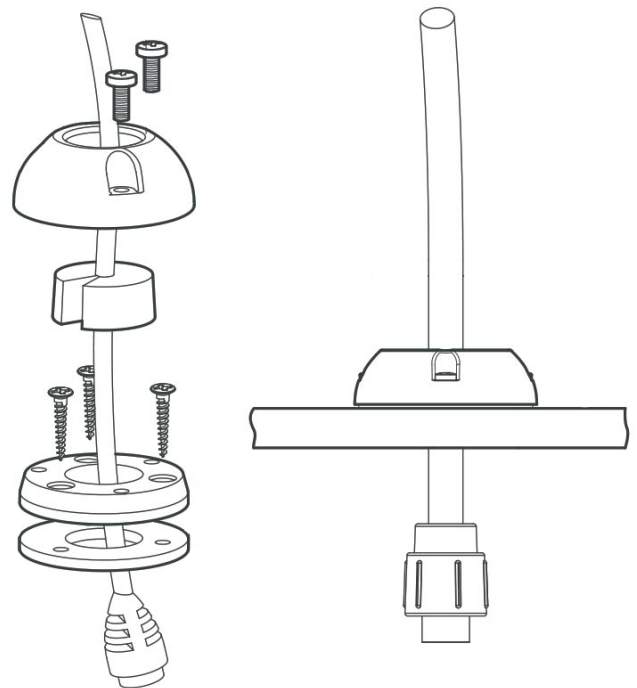


|                  |                        |
|------------------|------------------------|
| Material         | 30% Glass-filled Nylon |
| External Coating | UV Stable              |

Product Highlights

1. IPX6 & 7 waterproof
2. No need to remove connector for install
3. Includes pre-drilled split and blank seals
4. Captive nuts for easy assembly
5. Impact-resistant design
6. No sealant required
7. 3m waterproof gasket

Application



For the most direct access to Scanstrut technical support and your local sales representative visit