

# Product information

General Info	<b>Power Electronics</b>	Generators	Batteries	Solar
--------------	--------------------------	------------	-----------	-------

Date : 02-03-2011  
 Product : Tanklevel interface 77030300  
 Subject : Calibration of VDO and BEP marine tanklevel sensors

## VDO sensors resistive type:

### Rule of thumb:

$$AD @ \dots \% = 3 \times R_{\text{gauge}}$$

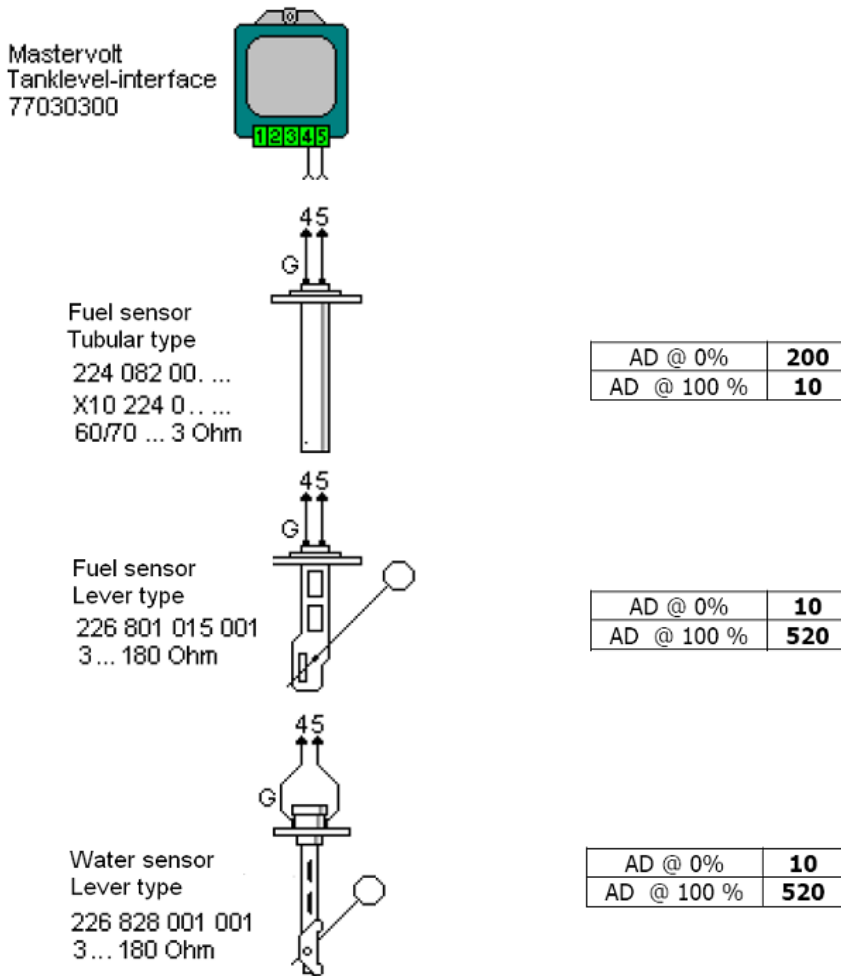
### Practice

$$AD @ 0\% = 3,3 \times R_{\text{empty}}$$

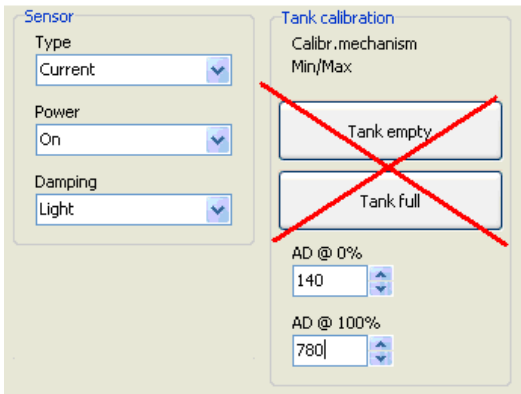
$$AD @ 100\% = 2,9 \times R_{\text{full}}$$

$$(R_{\text{empty}} \wedge R_{\text{full}}) \geq 0,5 \Omega$$

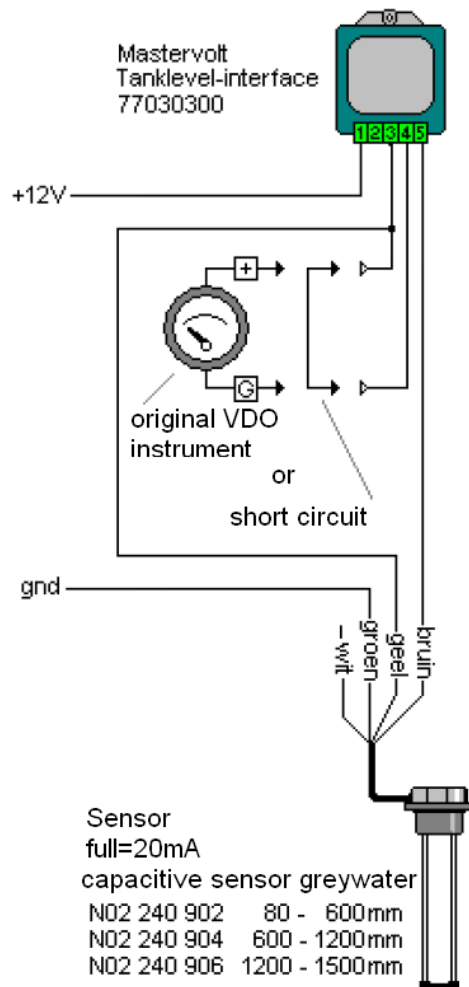
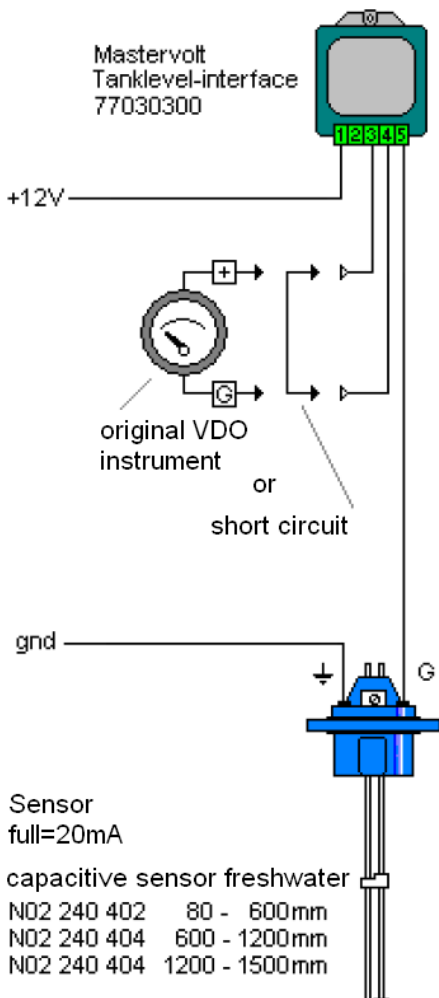
Masteradjust Fill in AD@0% and AD@100% according sensor type:



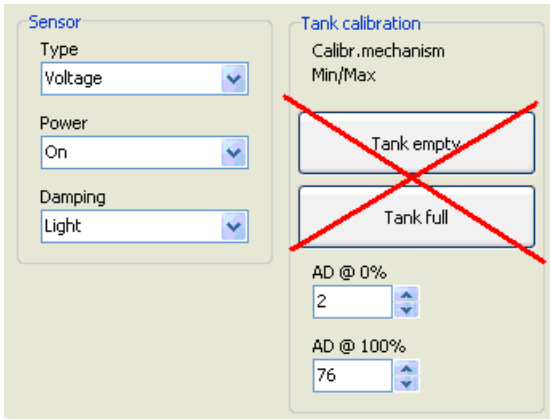
## VDO capacitive type:



Masteradjust AD@0%= 140, AD@100%= 780



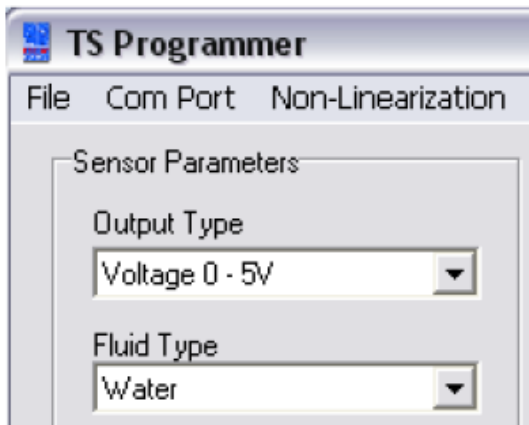
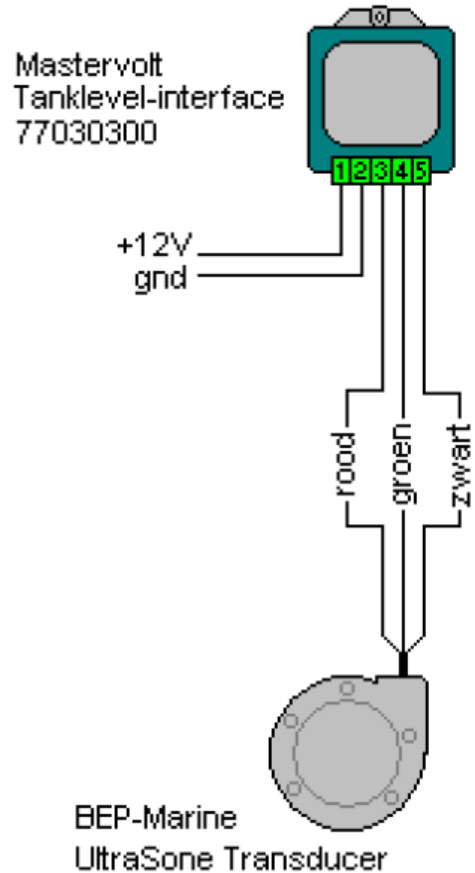
**BEP marine Ultrasonic type:**



Rule of thumb:  
 $AD @ .. \% = 16 \times U_{sensor}$

Practice:  
 $AD @ 0\% = 16,2 \times U_{empty}$   
 $AD @ 100\% = 15,2 \times U_{full}$   
 $U_{empty} \geq 0,1V$

Masteradjust AD@0% = 2, AD@100% = 76



TS Programmer BEP Marine Output type voltage 0-5V