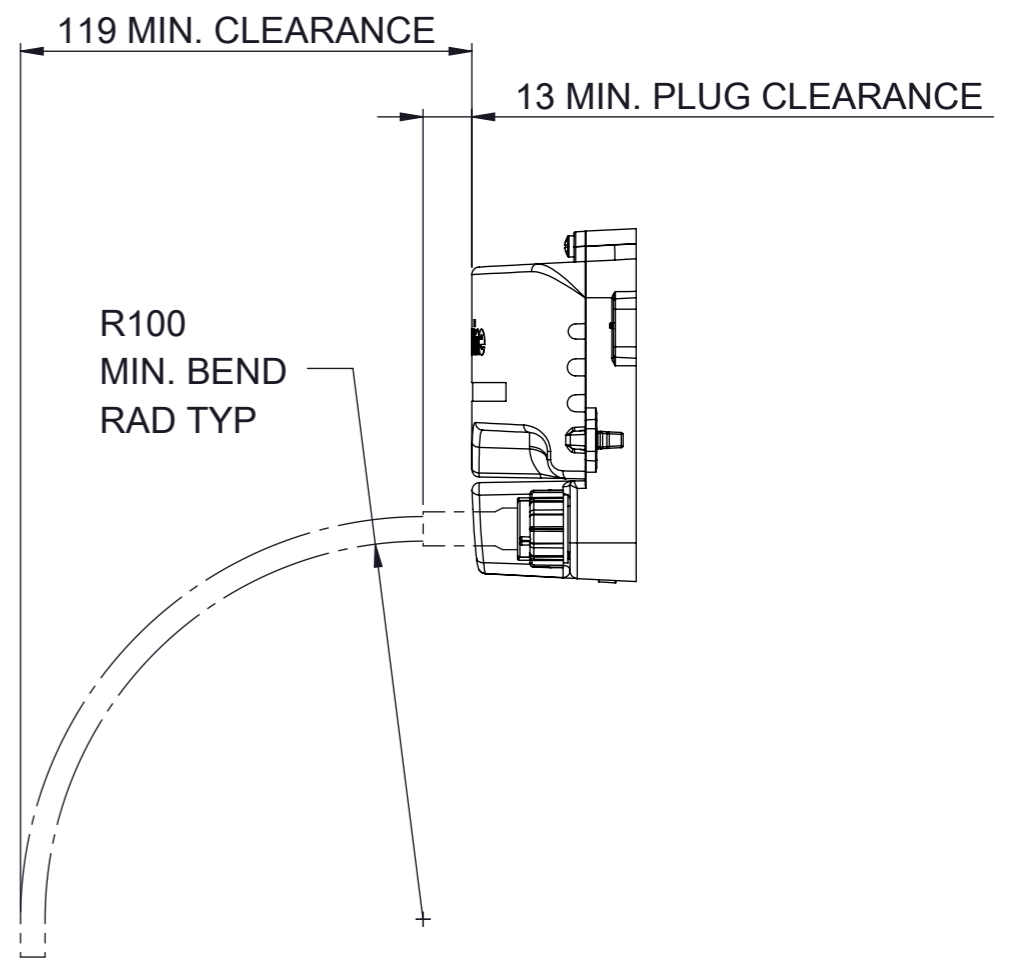
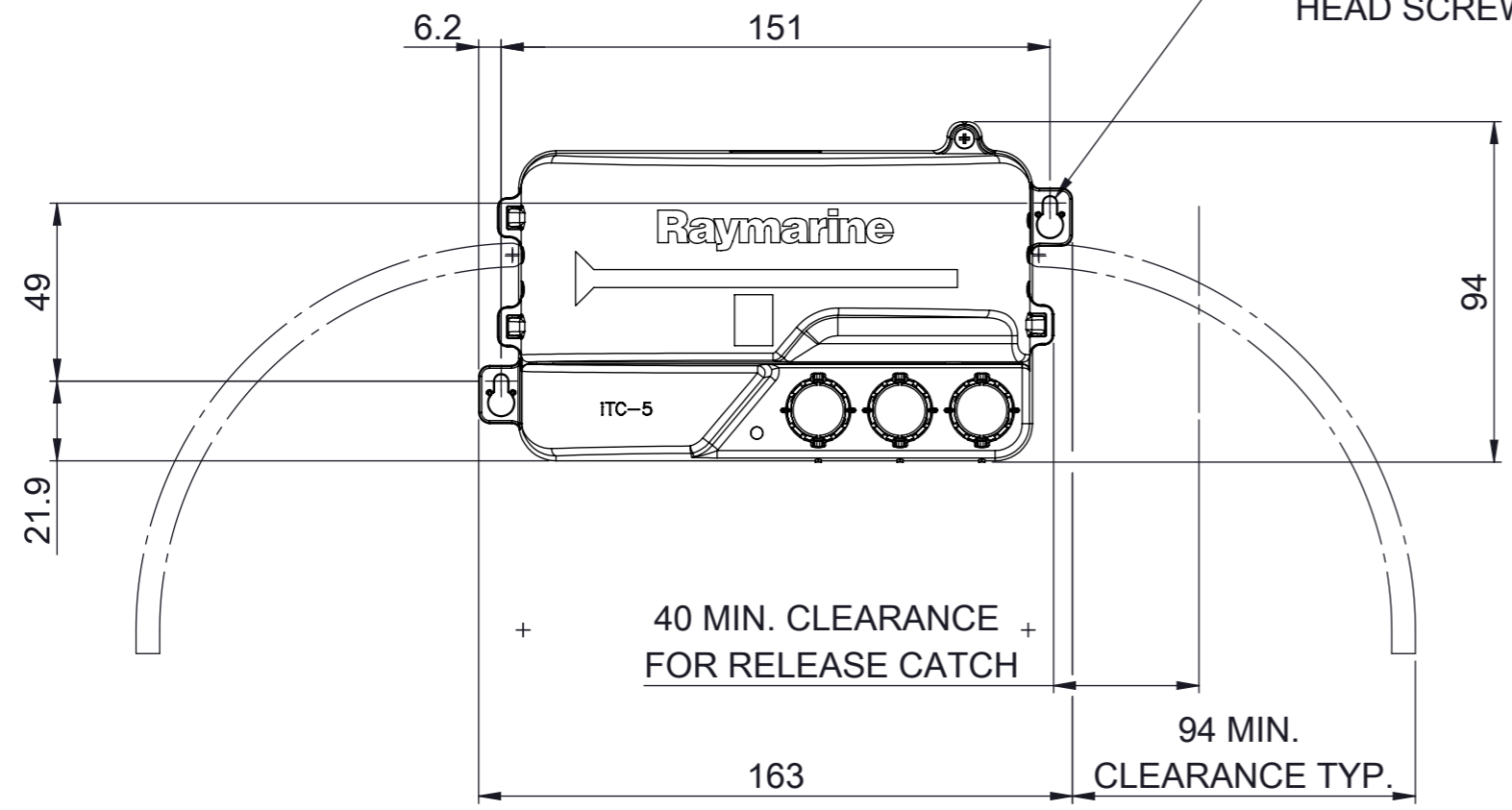


44

2 OFF FIXING POSITIONS
(NO.6 X 20 POZI PAN
HEAD SCREWS)



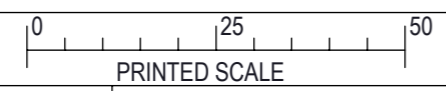
NOTES:

- 1) FOR INFORMATION ON CONNECTIONS AND PRODUCT SPECIFICATIONS, PLEASE REFER TO HANDBOOK, PRODUCT SUPPORT AND WORKSHOP MANUALS.
- 2) FOR ANY DIMENSIONAL INFORMATION NOT INCLUDED PLEASE CONTACT YOUR SALES REPRESENTATIVE.
- 3) DIMENSIONS SHOWN ARE ACTUAL PRODUCT SIZE AND DO NOT INCLUDE ANY CLEARANCE DATA.

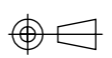


THE INFORMATION
CONTAINED HEREIN
SHALL NOT BE
REPRODUCED WITHOUT
THE PRIOR WRITTEN
PERMISSION OF
RAYMARINE LTD

© 2011 RAYMARINE LTD



DRAWN TO BS308



DO NOT SCALE - IF IN DOUBT ASK

DRN: PWM
DIMENSIONS IN MM

DATE: 12/04/12
SCALE: 1:2

TITLE ITC-5 TR. C'VERTER

DRAWING No. TC_ITC5