

## Disclaimer

This product is not a substitute for proper training and prudent seamanship. It is the owner's sole responsibility to install and use the equipment in a manner that will not cause accidents, personal injury or property damage. The user of this product is solely responsible for observing maritime safety practices.

Navigational features that appear in this guide are not a substitute for proper training and prudent seamanship. They do not replace a human navigator and SHOULD NOT be relied on as a sole or primary source of navigation. It is the operator's sole responsibility to use more than one navigational methods to ensure the route suggested by the system is safe.

NAVICO HOLDING AS AND ITS SUBSIDIARIES, BRANCHES AND AFFILIATES DISCLAIM ALL LIABILITY FOR ANY USE OF THIS PRODUCT IN A WAY THAT MAY CAUSE ACCIDENTS, DAMAGE OR THAT MAY VIOLATE THE LAW.

This manual represents the product as at the time of printing. Navico Holding AS and its subsidiaries, branches and affiliates reserve the right to make changes to the product and/or specifications at any time without notice. Please contact your nearest distributor if you require any further assistance.

**WARNING:** Always wear appropriate eyewear, ear protection, and a dust mask when drilling, cutting, or sanding. Remember to check the reverse side of all surfaces whenever drilling or cutting.

## Compliance statements

### Europe

NMEA 2000® remote button complies with CE under EMC Directive 2014/30/EU. The relevant Declaration of conformity is available in the product's section at the following website: [www.lowrance.com](http://www.lowrance.com), [www.simrad-yachting.com](http://www.simrad-yachting.com), [www.bandg.com](http://www.bandg.com).

### United Kingdom

NMEA 2000® remote button complies with UKCA under The Electromagnetic Compatibility Regulations 2016. The relevant Declaration of conformity is available in the product's section at the following website: [www.lowrance.com](http://www.lowrance.com), [www.simrad-yachting.com](http://www.simrad-yachting.com), [www.bandg.com](http://www.bandg.com).

### United States of America

**WARNING:** The user is cautioned that any changes or modifications not expressly approved by the party responsible for compliance could void the user's authority to operate the equipment.

### Australia and New Zealand

NMEA 2000® remote button complies with the requirements of level 2 devices of the Radiocommunications (Electromagnetic Compatibility) standard 2017.

## Trademarks

®Reg. U.S. Pat. & Tm. Off, and ™ common law marks. Visit [www.navico.com/intellectual-property](http://www.navico.com/intellectual-property) to review the global trademark rights and accreditations for Navico Holding AS and other entities.

## Copyright

Copyright © 2022 Navico Holding AS.

## Warranty

The warranty card is supplied as a separate document. In case of any queries, refer to the brand website of your unit or system: [www.lowrance.com](http://www.lowrance.com), [www.simrad-yachting.com](http://www.simrad-yachting.com), [www.bandg.com](http://www.bandg.com).

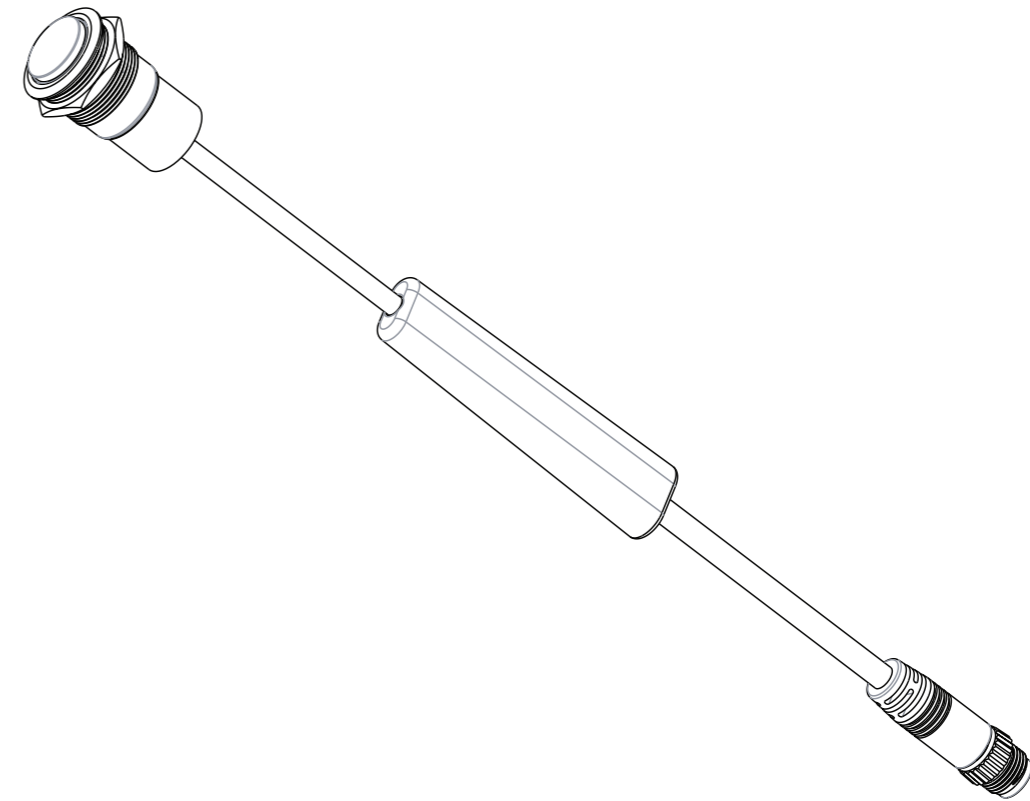
# B&G®



Scan for more info



# NMEA 2000® REMOTE BUTTON INSTALLATION GUIDE



## Parts included

- NMEA 2000® remote button
- Micro-C connector (male)
- NMEA 2000® Micro-C T-connector

## Overview

The NMEA 2000® remote button is an external push button connected to the NMEA® backbone, used to mark a Crew Overboard waypoint at the vessel's location. If an emergency occurs, you can create a Crew Overboard waypoint with a short press of the NMEA 2000® remote button.

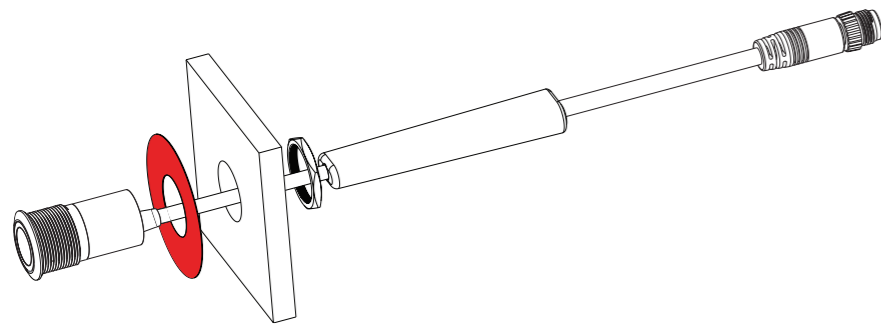
### Create Crew Overboard waypoint

To create a Crew Overboard waypoint at the vessel's location, press the NMEA 2000® remote button once. When pressed, the LED light around the button starts flashing. Pressing the remote button repeatedly creates multiple waypoints.

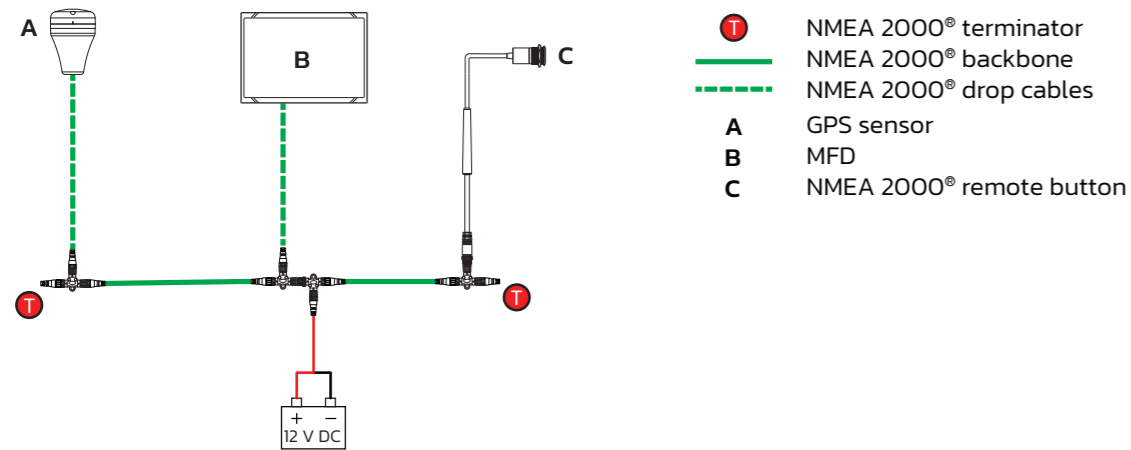
### Cancel Crew Overboard event

To cancel the last Crew Overboard event created, press and hold the NMEA 2000® remote button for three seconds. When the event is cancelled, the LED light around the button stops flashing. Alternatively, the event can be cancelled from the MFD or compatible instrument display (such as Triton<sup>2</sup>).

## Mounting



## Wiring



## Power

The NMEA 2000® remote button is powered by the NMEA 2000® network at 12 V DC via an NMEA 2000® Micro-C connector (male).

## Supported sentences

Sentence	Description	PGN	RX	TX
MOB	Crew Overboard Notification	127233		✓

## Technical specifications

### Environmental

Operating temperature	-15°C to 55°C (5°F to 131°F)
Waterproof rating	IP67

### Electrical

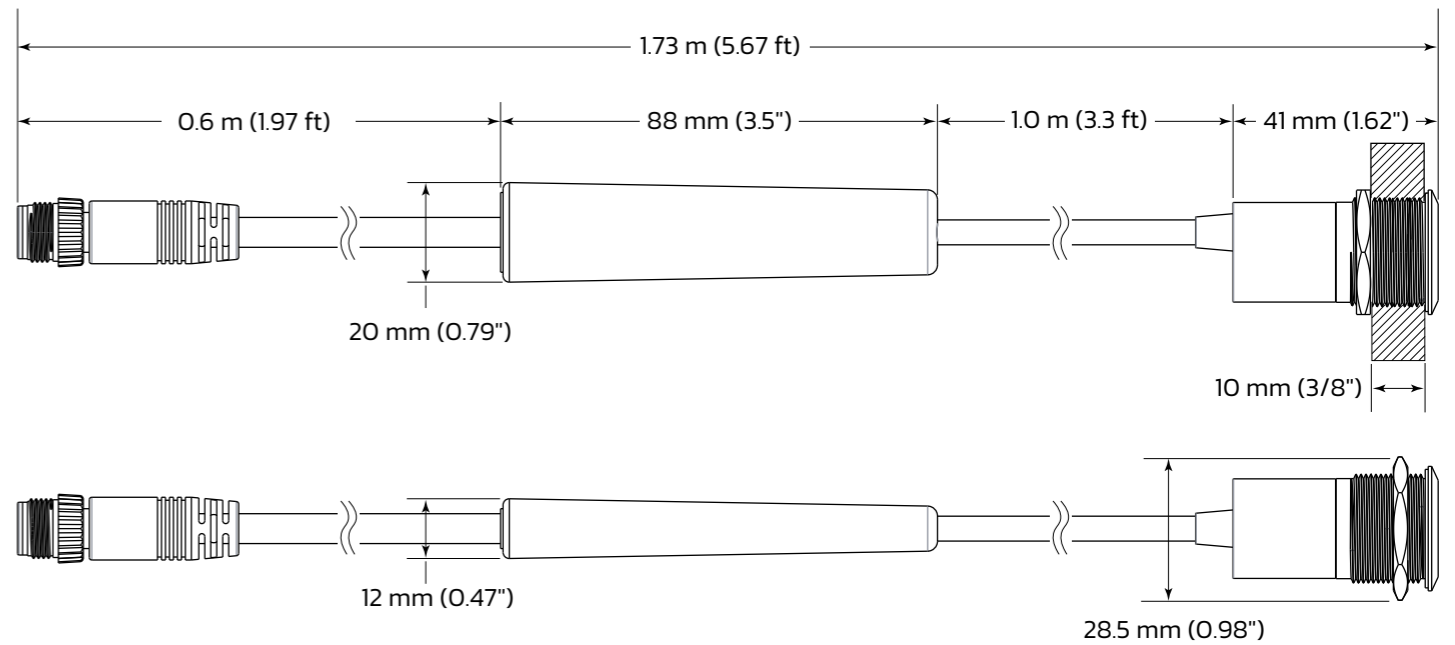
Power supply voltage	12 V DC
Operating voltage	9 V DC - 18 V DC
Power consumption	1 LEN, 0.39 W (28 mA at 13.8 V)
Reverse polarity protection	Yes

### Physical

Weight	0.13 kg (0.3 lbs)
--------	-------------------

## Dimensions

### NMEA 2000® remote button



### NMEA 2000® remote button label

