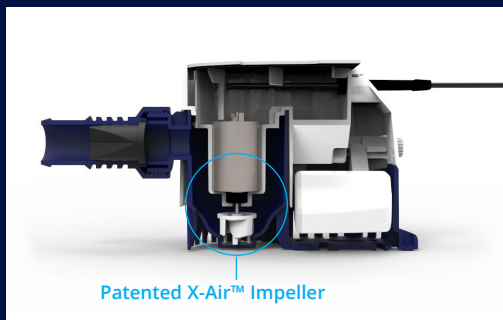


Automatic Bilge Pumps

Why Sahara Mk2?

Sahara Mk2 is the only automatic bilge pump that eliminates air-locks

- Patented X-Air™ Impeller ejects trapped air in the pump and pipework.



Sahara Mk2 is the easiest automatic bilge pump to install and service

- External mounting feet and integrated outlet reduces time and effort.
- Universal mounting pattern makes replacement simple.
- Service pump cartridge from hard-to-reach areas using only one hand.

Sahara Mk2 is the most reliable automatic bilge pump in freshwater and saltwater applications

- Attwood's SteadySwitch™ reduces cycling and extends the life of the pump.
- 40% better protection against water ingress and electrolysis - vs. MK1.
- 2X better protection against water ingress and electrolysis - than the leading competition.



Key Product Features

1. Patented X-Air™ Impeller: Prevents air locking so that the pump will not run dry and burn out.
 2. Flexible Outlets: 90° rotatable elbow outlet allows users to install the pump anywhere in a full 360° orientation.
 3. Single-Hand Pump Cartridge Release: Convenient when trying to access a pump located in a hard-to-reach area of the boat's hull.
 4. Exterior Mounting Feet: Eliminates the need to remove the basket, saving OEMs time on production lines.
- Universal Backwards Compatible Design: 7-pump mounting hole pattern for replacing any top bilge pump in its category.
 - SteadySwitch™: Buoyancy control reduces cycling, draining the bilge not the battery.
 - No Pipe Or Hose Removal Required: Reduces the time that it takes to replace the cartridge .
 - Improved Motor Cooling/Heat Dissipation: Prevents overheating that may cause failures, such as blown fuse, leaking, etc.
 - Retrofits Footprint Of Current Offering: Provides seamless transition for existing customers.

Sahara Mk2 Automatic Bilge Pump Range

1. Select Boat Type (by length)	0'-18' (0-5.5 m)	✓	✓				
	18'-23' (5.5-7 m)		✓				
	22'-26' (6.7-8 m)			✓			
2. Open Flow Rate	w/o Check Valve GPH @ 13.6 V / LPH @ 12 V	V498 US GPH 1,530 LPH	830 US GPH 2,314 LPH	1,214 US GPH 4,140 LPH			
	w/ Check Valve GPH @ 13.6 V / LPH @ 12 V	464 US GPH 1,368 LPH	747 US GPH 2,274 LPH	860 US GPH 3,000 LPH			
3. Select Pump Model	Images (Not to Scale)						
	Product Description	Sahara Mk2 S500	Sahara Mk2 S800	Sahara Mk2 S1200			
New Product Part Number (Old)	12 V	OEM	5505-1 (4505-1)	5608-1 (4608-1)	5612-1 (4612-1)		
		AFT	5512-7 (4505-7)	5508-7 (4505-7)	5512-7 (4505-7)		
	24 V	OEM	/	5609-1 (4609-1)	5613-1 (4613-1)		
		AFT	5505-7 (4505-7)	5509-7	5513-7		
Hose Diameter		3/4" & 1"	3/4" & 1"	1" & 1-1/8"			
4. Accessories	Images (Not to Scale)						
	Product Description	3/4" & 1" Straight Outlet with NRV	3/4" & 1" 90° Outlet with NRV	3/4" & 1" Straight Outlet with NRV	3/4" & 1" 90° Outlet with NRV	1" & 1-1/8" Straight Outlet with NRV	1" & 1-1/8" 90° Outlet with NRV
	Product Code	AS5505S-1	AS5505E-1	AS5505S-1	AS5505E-1	AS5512S-1	AS5512E-1

Mounting Pattern Compatibility:

